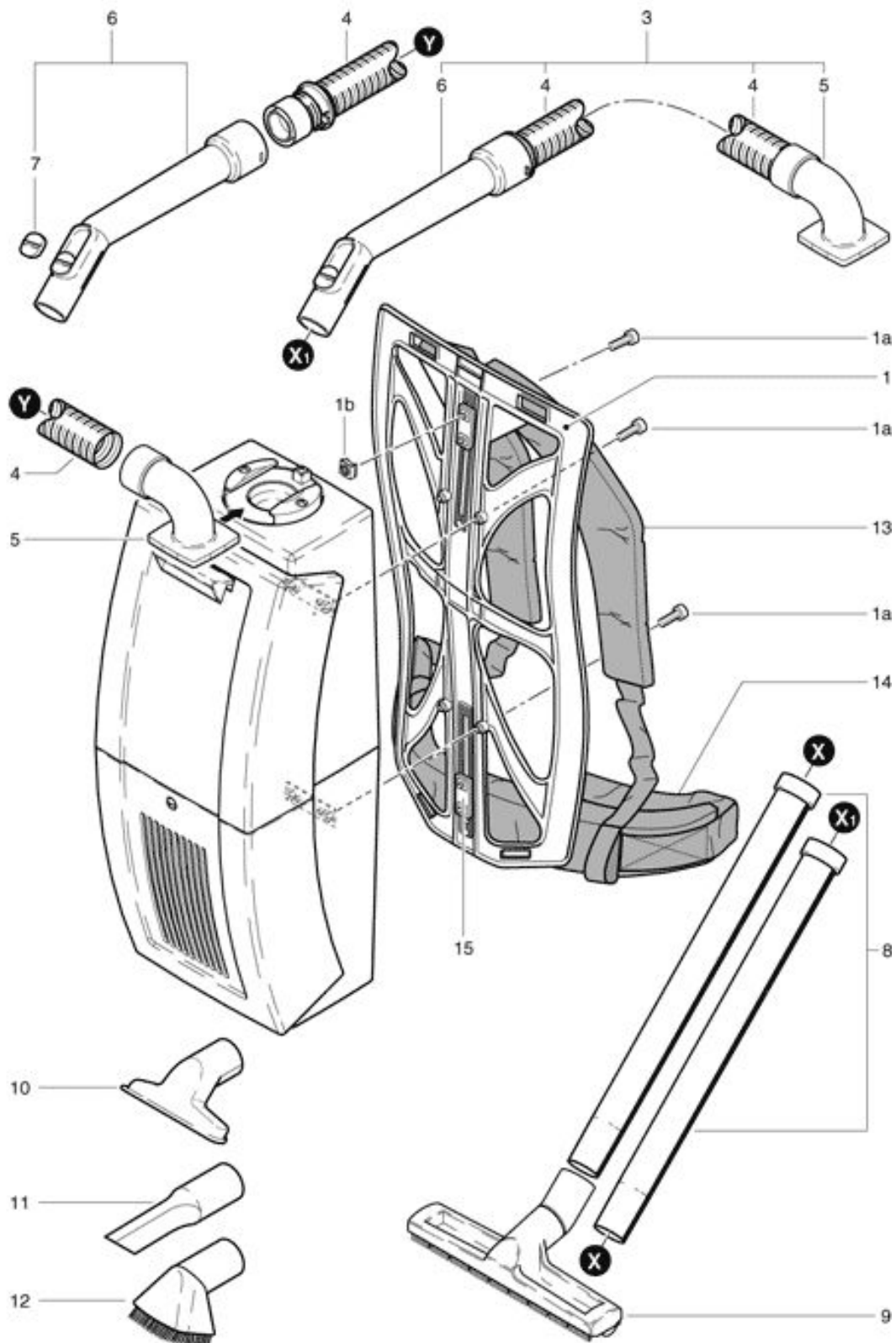


RS 05
Back carrying frame and Suction set

As at: 01/18/10 Time:19:43



RS 05

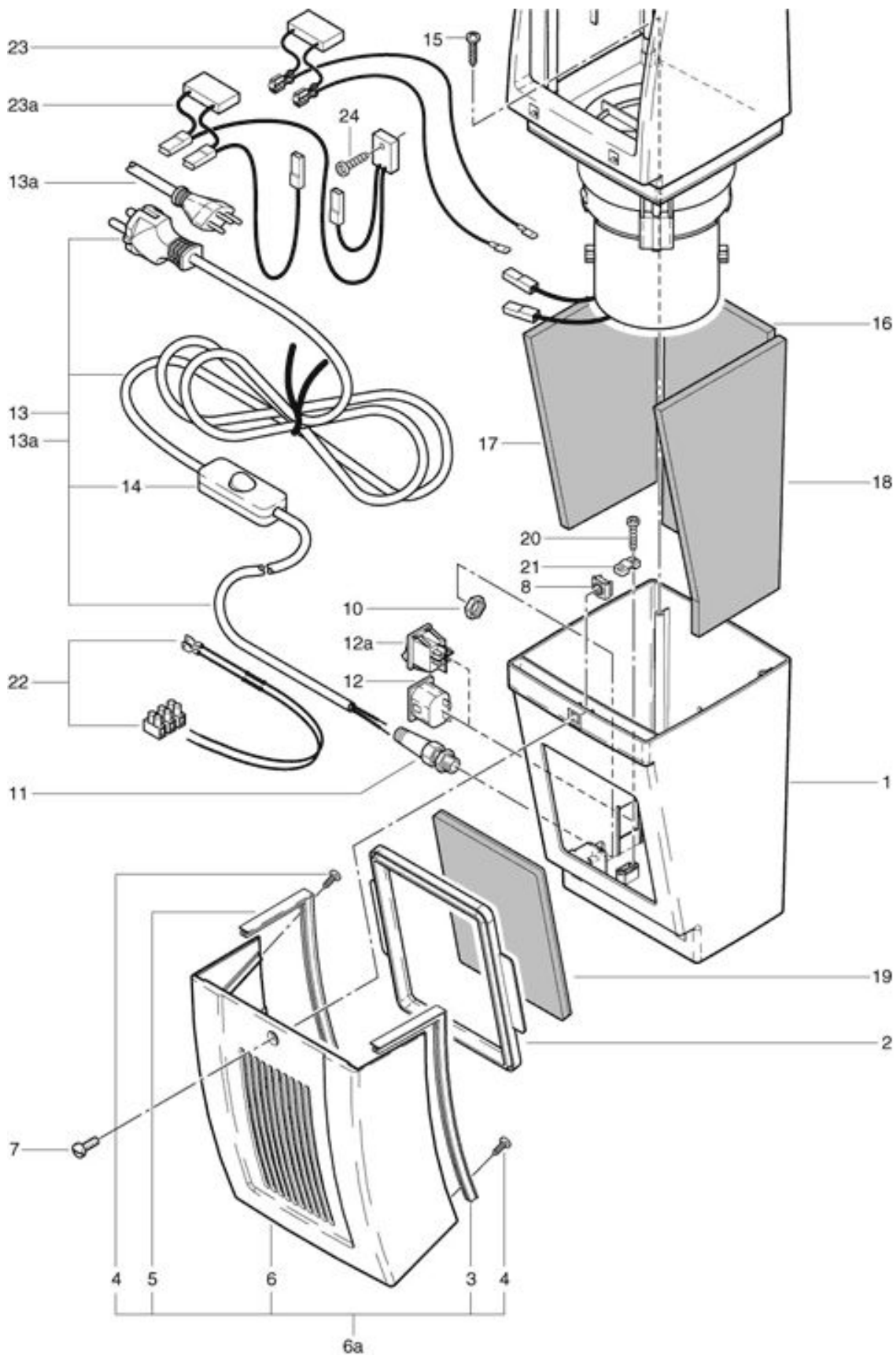
Back carrying frame and Suction set

As at: 01/18/10 Time:19:43

Pos.	Description	Reference
01	Back carrying frame cplt.	025.153
01a	Screw M 5x16	P...480 R
01b	Nut M 5	P...494S
03	Suction hose complete, including items 4-7	025.050
04	Suction hose 1,5 m	025.074
05	Hose end connector	025.071
06	Toolhandle compl.	900.670
07	Slide	P...581 B
08	Stainless steal tube	645.002
09	Floor tool	646.200
10	Upholstery tool	645.004
11	Crevice tool	645.006
12	Dropery brush (Optional accessory)	645.005
13	Pair of carriers	025.151
14	Back cushion	025.152
15	Retaining plate	025.154

RS 05
Lower cover

As at: 01/18/10 Time:19:43



RS 05

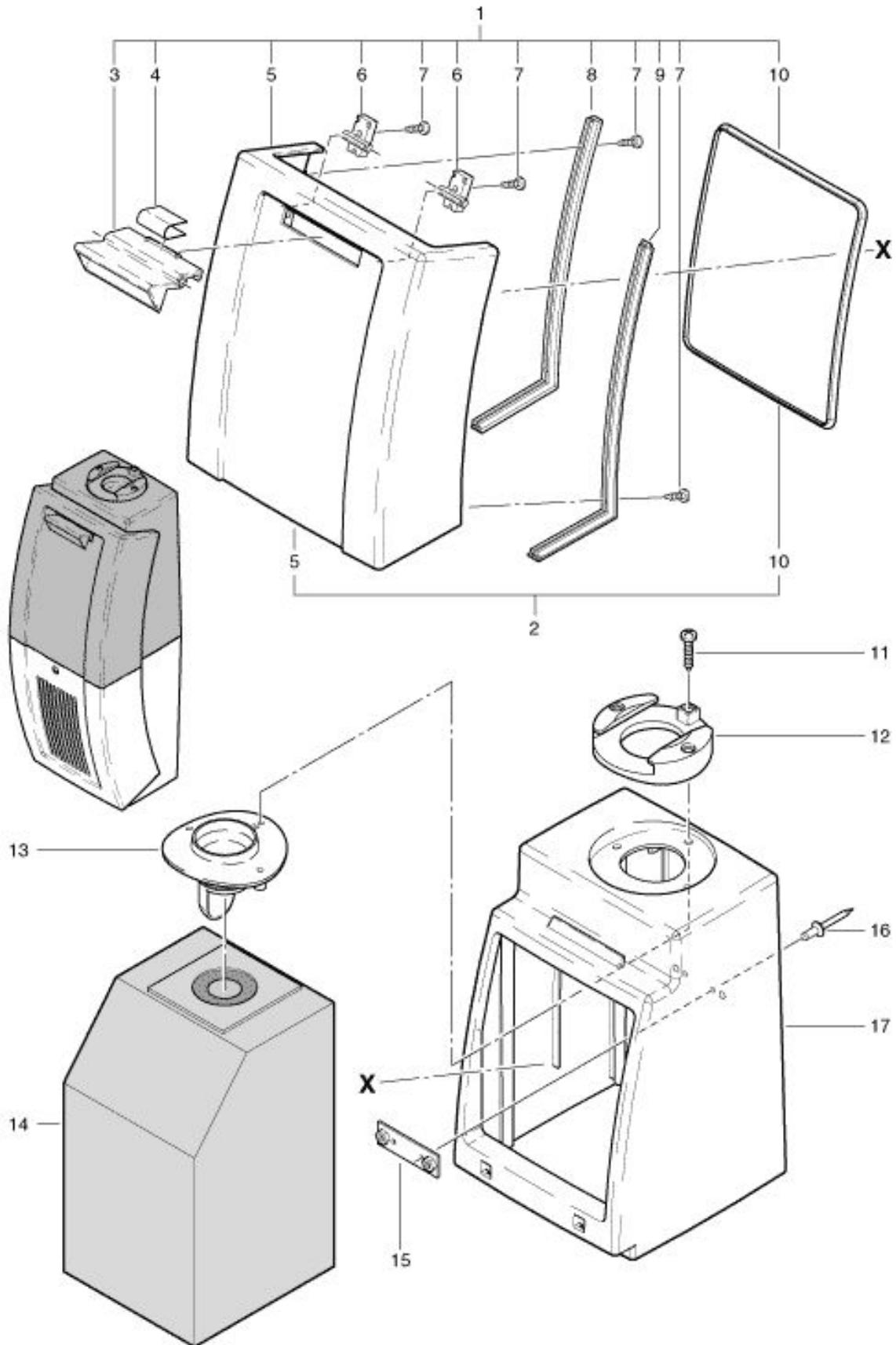
Lower cover

As at: 01/18/10 Time:19:43

Pos.	Description	Reference
01	Lower cover	025.244
02	Filter cover seal	025.203
03	Corner pice left	025.115
04	PT-screw KA 30x16	P...516 F
05	Corner pice right	025.119
06	Filter cover	025.241
06a	Filter-cover pre-assembled Pos. 3 - 6	025.242
07	Srew pan Head 5x16	P..480 R
08	Spez. Nut M 5	P...494 P
10	Counter nut PG9	P...279 H
11	Cable protection	P...279 K
12	Plug socket up to machine no. 8522	P...380 C
12a	Tumbler switch beg.machine no. 8523 001	P...240 F
13	Electrical connection VDE up to machine no. 8522 with switch	025.233
13	Electrical connection VDE beg. machine no. 8523 001	025.234
13a	Electrical connection SEV beg. machine no. 8523 001	025.235
13a	Electrical connection SEV up to machine no. 8522 with switch	025.236
14	Tumbler switch up to machine no. 8522	025.239
15	PT-screw KA 40x20 Torx	P...517 E
16	Noise absorbing sheet	025.230
17	Noise absorbing sheet left	025.227
18	Noise absorbing sheet right	025.224
19	Filter mat, fine	780.921
19	Filter mat, rough	025.221
20	PT-srew KA 50x18	P...516 Q
21	Cable clamp	4611085
22	Cable block 3-ways	025.210
23	Cable tree with capacitor up to machine no. 8522	012.143
23a	Temperature control beg. machine no. 8523 001	025.143
24	PT-srew KA 40x16	P...516 C

RS 05
Upper cover

As at: 01/18/10 Time:19:43



RS 05

Upper cover

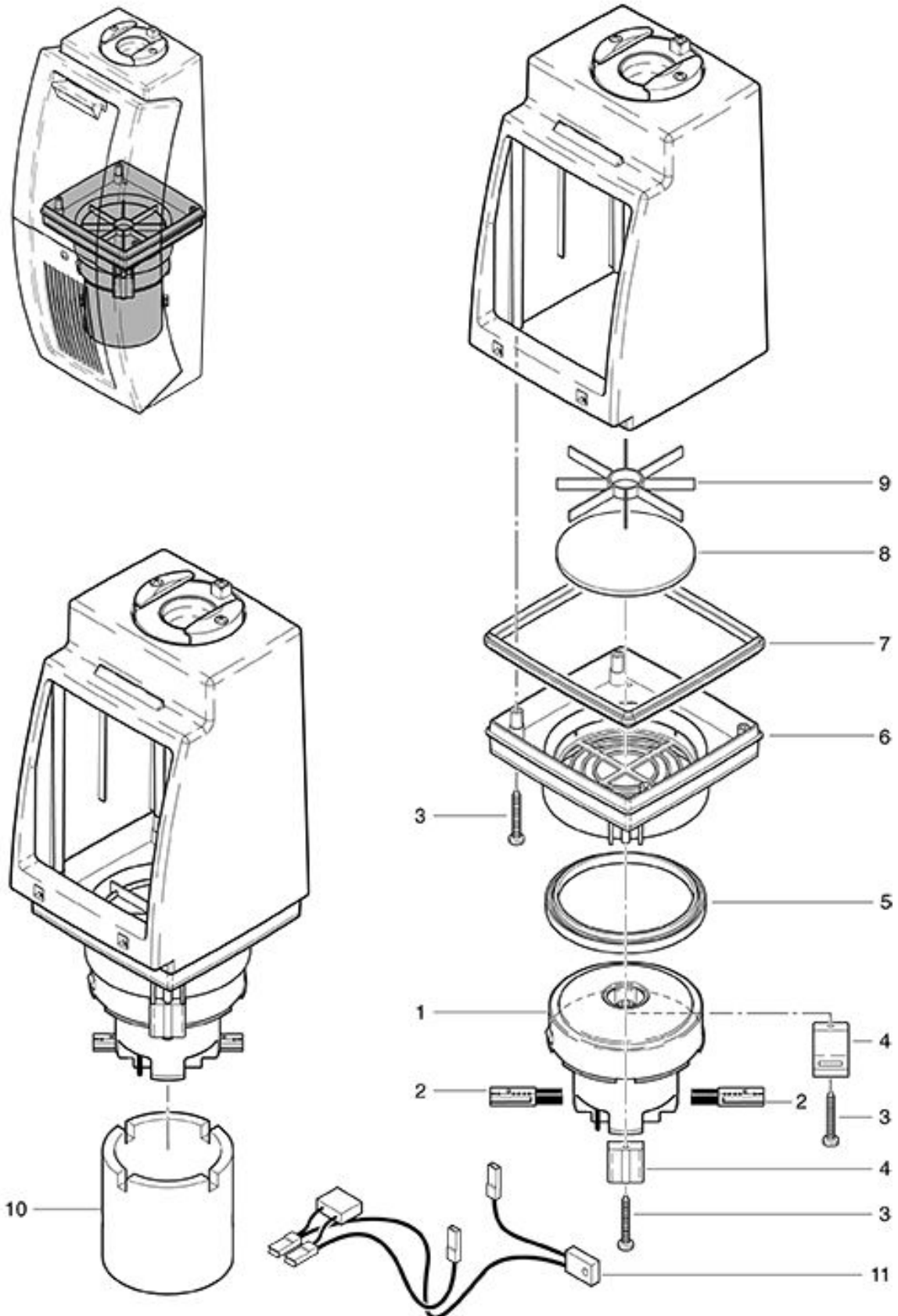
As at: 01/18/10 Time:19:43

Pos.	Description	Reference
01	Dust-cover complet Pos. 3 - 10	025.111
02	Filter-cover pre-assembled Pos. 5 + 10	025.110 A
03	Cover-handle	025.103
04	Spring	025.106
05	Dust-cover	025.109
06	Bracket	025.112
07	PT-screw KA 30x16	P...516 F
08	Corner-pice left	025.115
09	Corner-pice right	025.119
10	Dust-cover seal	025.124
11	PT screw KA 50 x 35	P...515 N
12	Tank connection	4012234
13	Saffle	025.133
14	Packet of 5 dustbags	025.430
15	Thread plate	025.139
16	Blind rivet 3.2 x 16	P...485
17	Upper cover	025.145

RS 05

Vacuum motor

As at: 01/18/10 Time:19:43



RS 05

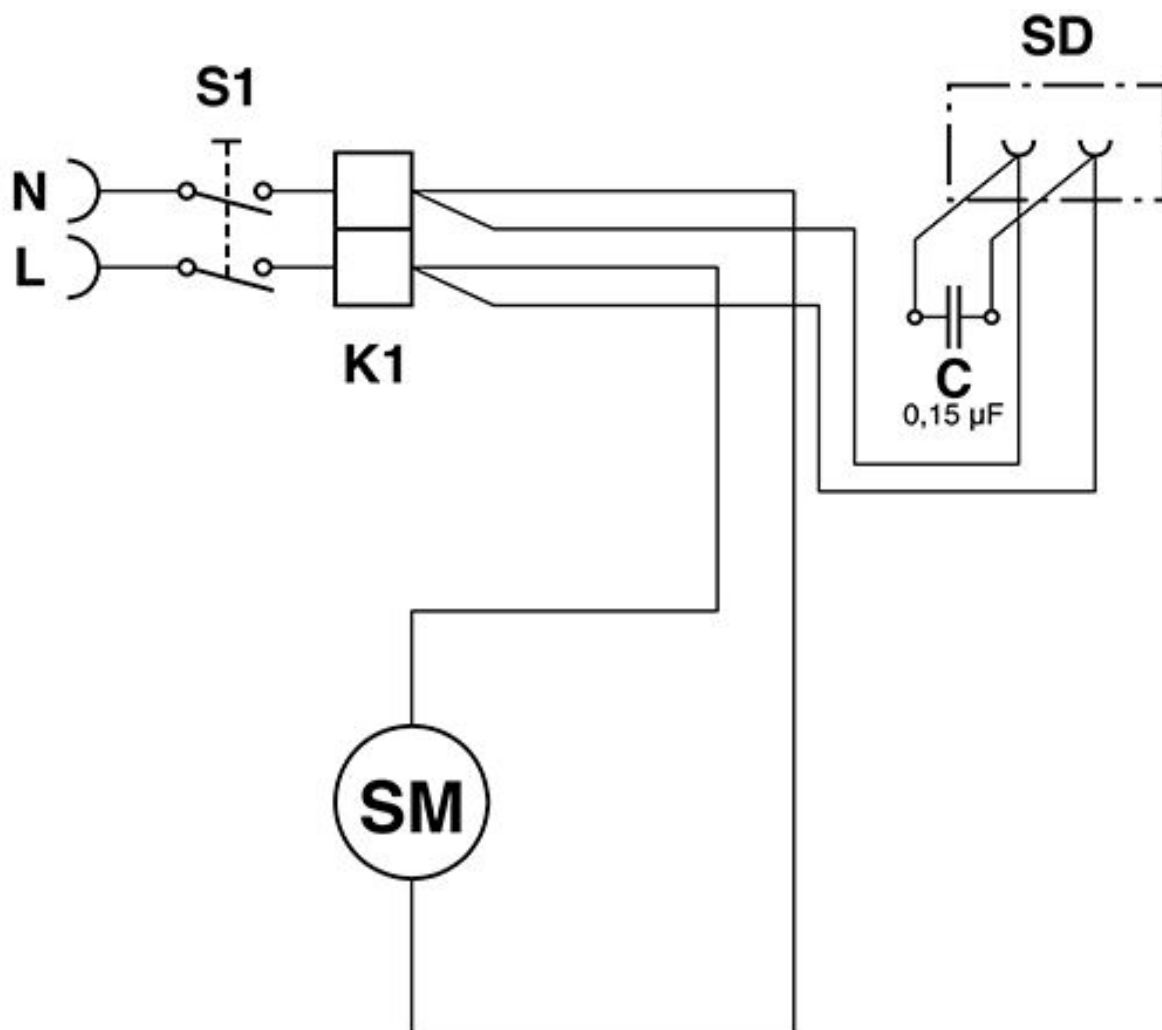
Vacuum motor

As at: 01/18/10 Time:19:43

Pos.	Description	Reference
01	Vacuum motor	025.260
02	Carbon brushes	P...872 A
03	PT screw KA 40 x 35	P...517 A
04	Holder	025.259
05	Motor seal	025.268
06	Motor support	025.265
07	Motor support seal	025.269
08	Motor filter	025.271
09	Distance cross	025.274
10	Isolation inside	025.277
11	Cable tree with capacitor, Temperature control	025.143

RS 05
Wiring diagram

As at: 01/18/10 Time:19:44



- K1 = Reihenklemme / Serre-fils / Terminal
- S1 = Schnurwippenschalter bis Masch. Nr. 8522 / Tumbler switch up to machine no. 8522 / Interrupteur à des appareils no. 8522
- SD = Steckdose / Plug socket / Prise
- C = Kondensator 0,15 µF / Capacitor 0,15 µF / Capaciteur 0,15 µF
- SM = Saugmotor / Motor / Moteur

RS 05

Wiring diagram

As at: 01/18/10 Time:19:44

Pos.	Description	Reference
C	Capacitor 0,15 uF	P...393 E
K 1	Cable clamp	P...383 H
S 1	Tumbler switch up to machine no. 8522	025.239
SD	Plug socket	P...280 C
SM	Motor	P...872