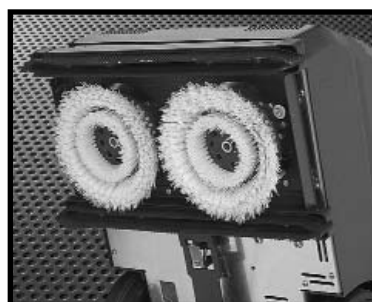




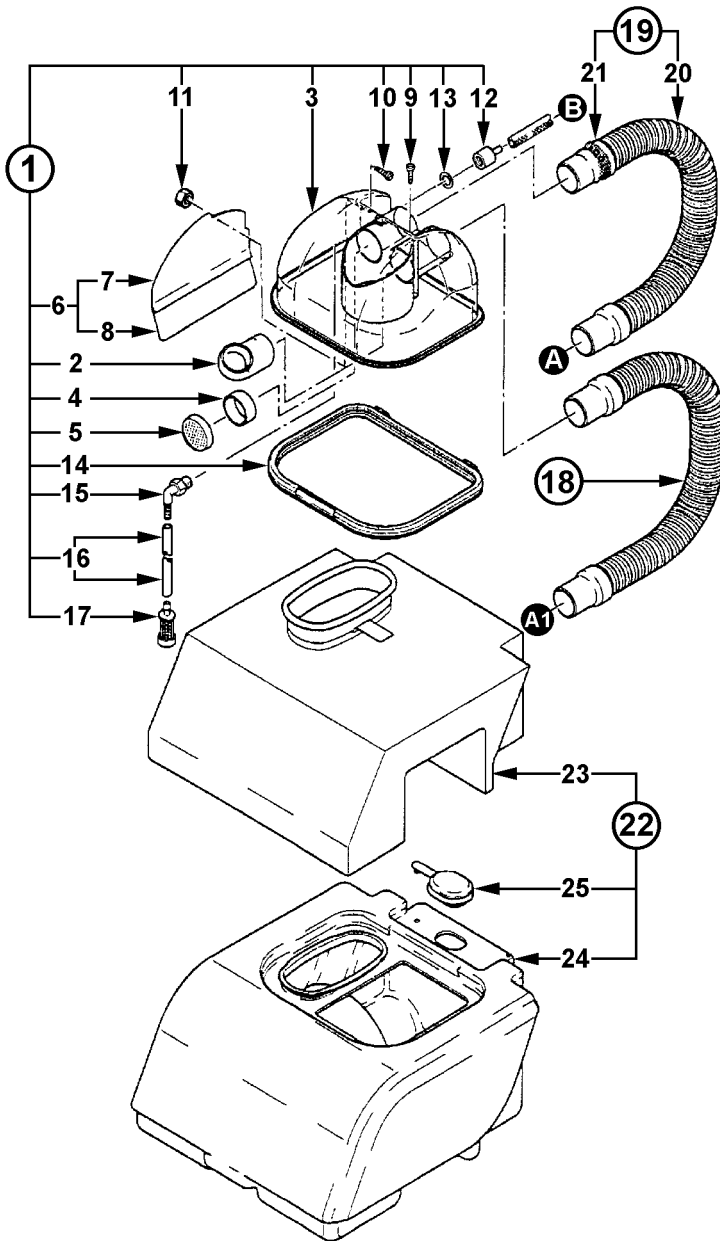
# RA-300 AUTOMATIC ELECTRIC SCRUBBER

## REPLACEMENT PARTS LIST



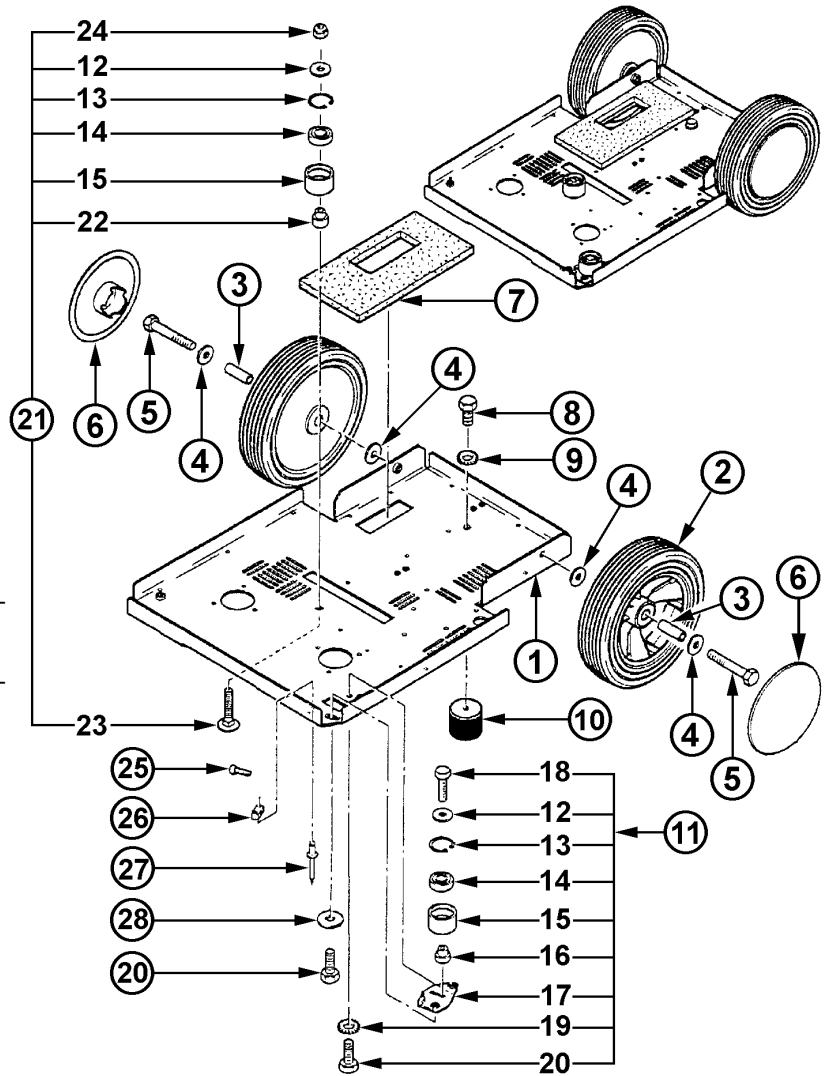
777 South Street P.O. Box 2310, Newburgh, N Y 12550-0606  
TEL: (800) 835-7812 (845) 565-8850 FAX: (845) 565-9392  
[www.mastercraftusa.com](http://www.mastercraftusa.com) ✦ [techsupport@mastercraftusa.com](mailto:techsupport@mastercraftusa.com)

## SECTION 1 - RA-300 TANK ASSEMBLY



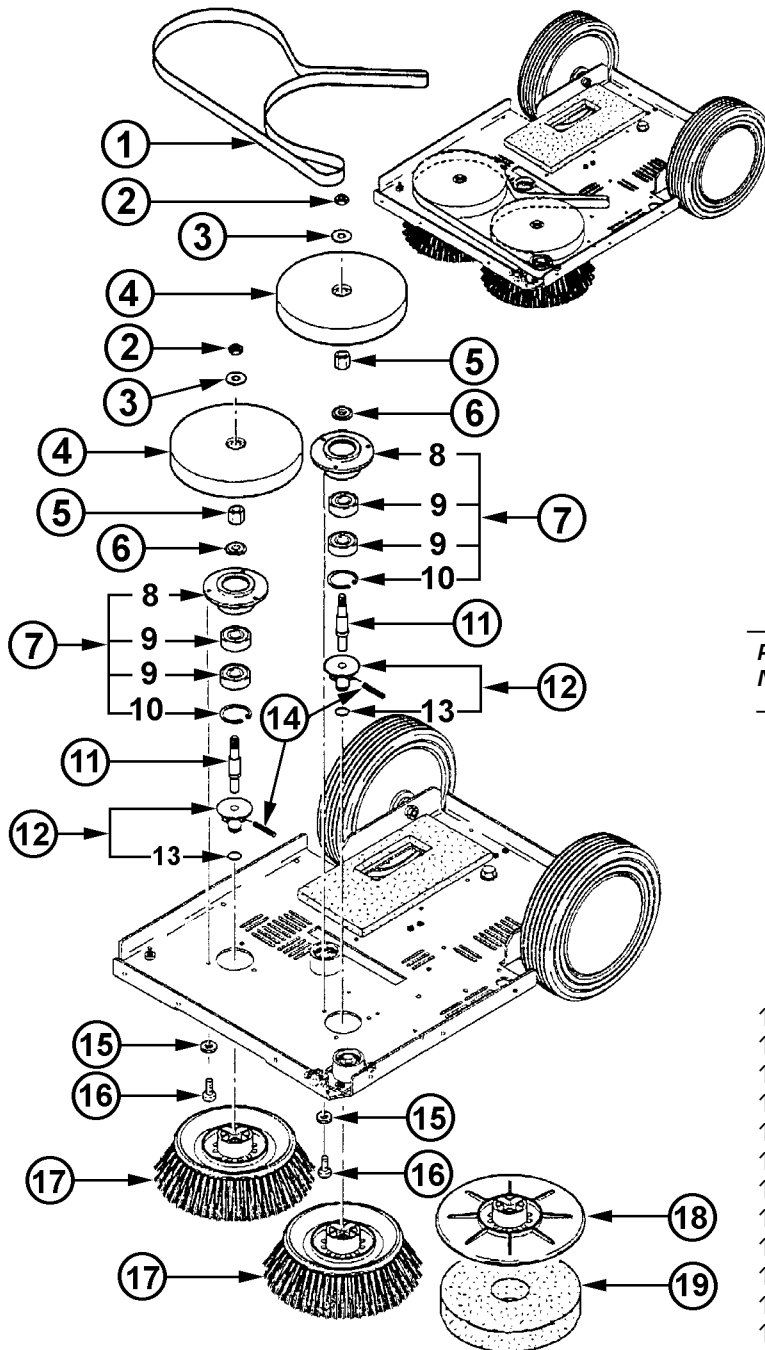
Ref No	Part Description	Part No
1	Tank Cover Complete	412686
2	Elbow	431427
3	Tank Cover	431400
4	Filter Ring	451193
5	Filter	402532
6	Complete Partition	451967
7	Partition	451975
8	Partition Seal	380.565
9	KA30 X 6mm Screw	451827
10	M3 X 10 Hex Socket Screw	451991
11	M3 Stop Nut	401757
12	SSW22 G-3/8" Fitting	429341
13	Gasket	429368
14	Cover Gasket	422258
15	G1/4" Angled Elbow Fitting	403423
16	6/12 X 250mm Hose	451207
17	Solution Filter	404594
18	Complete Hose	429309
19	Complete Vacuum Hose	451215
20	Complete Recovery Hose	431478
21	Air Control Slide	451223
22	Complete Recover Tank	434671
23	Solution Tank Bladder	414638
24	Tank	434698
25	Cover	426989

## SECTION 2 - WHEELS & BOTTOM ASSEMBLY



Ref No	Part Description	Part No
1	Bottom Plate	439045
2	Wheel	440094
3	Spacer	451231
4	M8 X25mm Washer	407070
5	M8 X 55 Hex Screw	451258
6	Wheel Cover	451266
7	Insulator	451274
8	M8 X 10 Hex Screw	407216
9	M8 Lockwasher	403210
10	Round Buffer	451282
11	Complete Idler Pulley	437301
12	M6 Washer	401641
13	dm 28mm Retaining Ring	439224
14	Ball Bearing	451290
15	34 X 20mm Pulley	451304
16	Bearing Pin	451339
17	Pulley Plate	385603
18	M6 X 20 Hex Screw	404705
19	M6 Lockwasher	425621
20	M6 X 12 Hex Screw	451347
21	Guide Pulley	451355
22	Bearing Pin	451363
23	M6 X 30mm Screw	451371
24	M6 Stop Nut	401684
25	M4 X 14mm Hex Screw	451398
26	Pulley Holder	451401
27	3.2 X 12mm Pop Rivet	404136
28	M6 Washer	401641

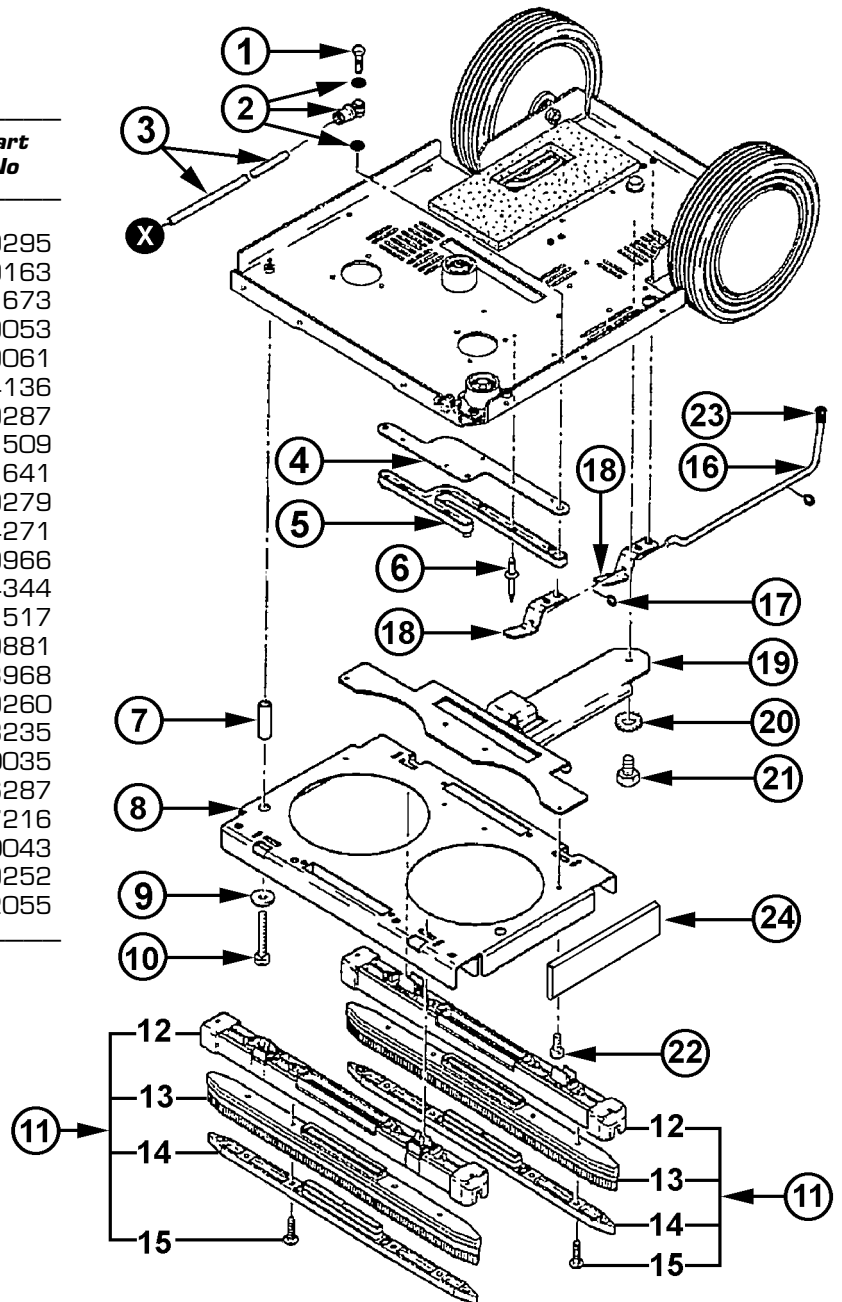
## SECTION 3 - BRUSH ASSEMBLY



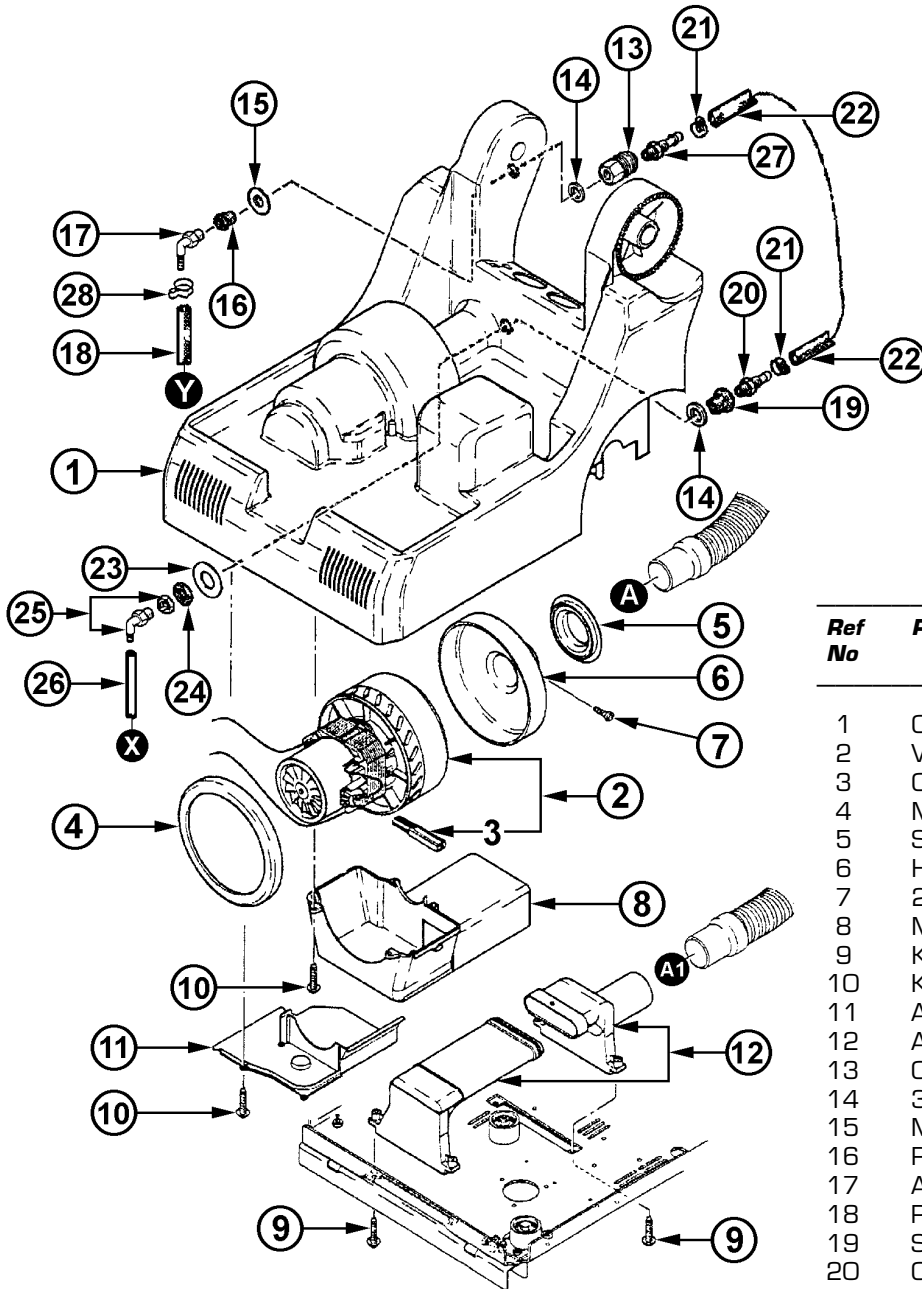
Ref No	Part Description	Part No
1	Belt	414387
2	M8 Hex Nut	404888
3	M8 Washer	451428
4	Wheel	451452
5	S24 X 12.8 Hub Bushing	451436
6	dm22 Washer	451444
7	Complete Bearing Housing	451460
8	Bearing Housing	451479
9	Ball Bearing	404020
10	Retaining Ring	404950
11	Axle	419982
12	Center Pin w/O-Ring	419974
13	O-Ring	451487
14	4 X 30mm Pin	451495
15	M4 Washer	433241
16	M4 X 8 Screw	440043
17	Nylon Scrub Brush	413224
18	Optional Pad Driver	413348
19A	Optional Red Buff Pad (Pk/10)	417742
19B	Optional White Pad (Pk/10)	418595
19C	Optional Green Pad (Pk/10)	420050
19D	Optional Black Pad (Pk/10)	417734

## SECTION 4 - SQUEEGEE ASSEMBLY

Ref No	Part Description	Part No
1	Screw	429295
2	Angled Fitting	429163
3	Connection Hose	451673
4	Water Canal Insulator	439053
5	Water Canal	439061
6	3 X 10mm Rivet	404136
7	Guide Sleeve	429287
8	Vacuum Nozzle Holder	451509
9	M6 Washer	401641
10	M6 X 40 Screw	429279
11	Complete Vacuum Nozzle	414271
12	Vacuum Nozzle	419966
13	Squeegee Blade	414344
14	Squeegee Blade Holder	451517
15	KA50 X 16 PT-Screw	339881
16	Lever	413968
17	Safety Ring-dm 5mm	429260
18	Lever Guide Holder, Front	438235
19	Canal Support	440035
20	M8 Serrated Lockwasher	406287
21	M8 X 10 Hex Screw	407216
22	M4 X 8 Screw	440043
23	Cover	429252
24	Lever Guide Holder, Rear	242055



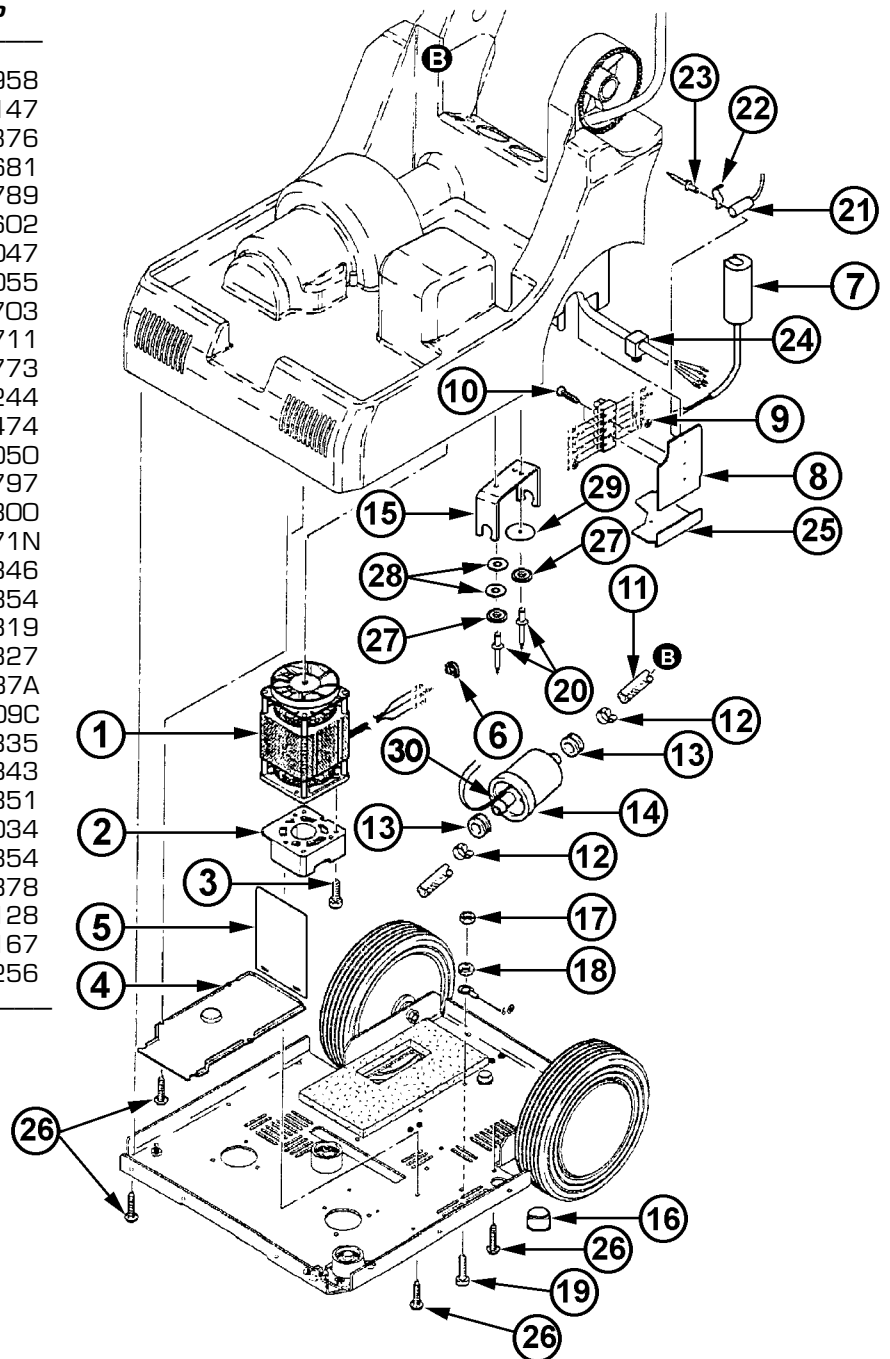
## SECTION 5 - MOTOR & CHASSIS



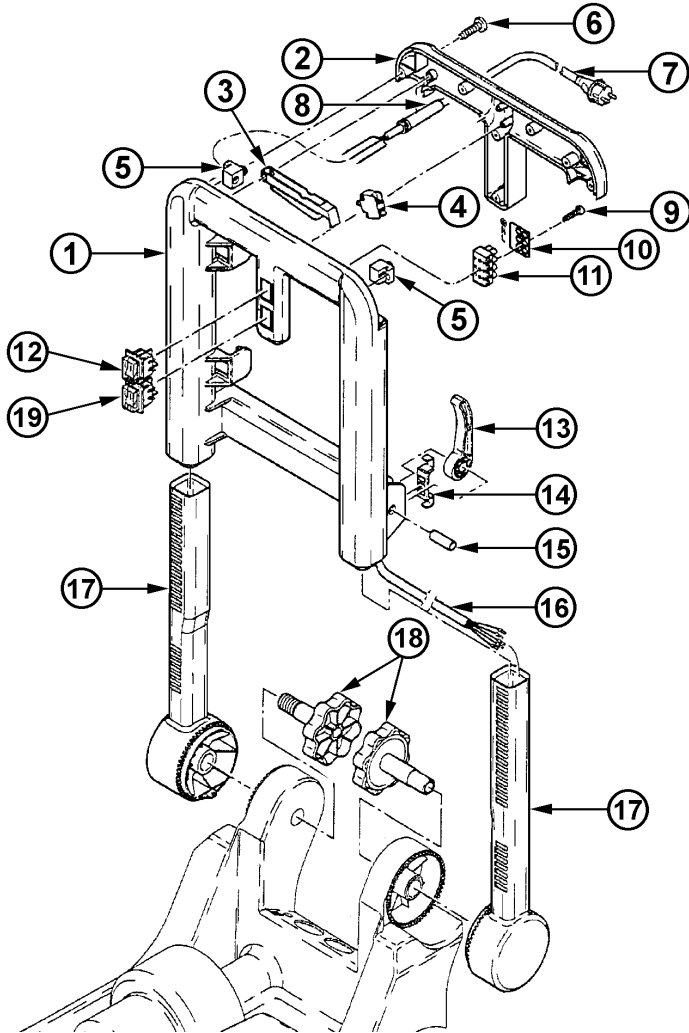
Ref No	Part Description	Part No
1	Chassis Cover	451525
2	Vacuum Motor	451533
3	Carbon Brushes (2)	451541
4	Motor Sealing Ring	451746
5	Sealing Ring	451754
6	Hose Connection Cap	380.021
7	2.9 X 9.5 Screw	401595
8	Motor Cover	451762
9	KA50 X 16 PT-Screw	451770
10	KA40 X 18 PT-Screw	437034
11	Air Canal Cover	451568
12	Air Canal (Complete)	451576
13	Coupling	239747
14	35mm Washer	418951
15	M12 Washer	451584
16	Reducer	451592
17	Angled Connector	451614
18	Pressure Hose	451622
19	Straight Nipple	451630
20	Connecting Nipple	451649
21	14.5mm Hose Clamp	435686
22	250mm Connection Hose	451657
23	Security Washer	418951
24	$\frac{3}{8}$ Hex Nut	403385
25	Angled Nipple	451665
26	640mm Connection Hose	451673
27	Straight Nipple w/Reducer	451606
28	13.3mm Hose Clamp	400297

## SECTION 6 - RA-300 BRUSH MOTOR ASSEMBLY

Ref No	Part Description	Part No
1	Brush Motor	419958
2	Motor Support Plate	429147
3	KA40X18 PT-Screw	429376
4	Air Canal Cover	451681
5	Air Canal Plate	451789
6	Rubber Grommet	400602
7A	Capacitor-16uF (115V)	427047
7B	Capacitor-5uF (230V)	427055
8	Electric Plate	451703
9	Electrical Terminal (7)	451711
10	KA30 X 14 Screw	401773
11	12/6 X 530 Vacuum Hose	429244
12	14.5 Hose Clamp	435474
13	Rubber Grommet	408050
14	NDS-L Pump	451797
15	Pump Holder	451800
16	Cover	P..171N
17	M4 Hex Nut	401846
18	M4 Spring Washer	401854
19	M4 X 12mm Screw	451819
20	KA 30 X 6mm Screw	451827
21	Capacitor	P..387A
22	Capacitor Holder	P..109C
23	3 X 6 mm Blind Rivet	415835
24	Strain Relief	451843
25	Terminal Cover	451851
26	KA 40 X 16mm Screw	437034
27	M4 Spring Washer	401854
28	M6 Spring Washer	451878
29	6/25 X 1.8mm Washer	433128
30A	Pump Outlet w/Threaded Insert	457167
30B	Pump Outlet (Plain)	440256



# SECTION 7 - HANDLE ASSEMBLY



Ref No	Part Description	Part No
1	Handle Housing	412732
2	Handle Cover	412740
3	Control Lever	412724
4	Switch	222674
5	Strain Relief	451886
6	M12 X 16mm Screw	437034
7	Main Cable	461555
8	Cable Grommet	401897
9	KA 30 X 18 mm Screw	453250
10	Marking Plate	429627
11	Electrical Terminal (4)	401838
12	Vacuum Rocker Switch	401021
13	Adjustment Lever	412716
14	Lever Bracket	412708
15	Retainer Roll Pin	412694
16	Cable	451894
17	Lower Handle Lever	426938
18	Handle Star	453226
19	Brush Rocket Switch	447056

## WIRING DIAGRAM

