



SAFETY, OPERATION AND MAINTENANCE MANUAL W/ PARTS LIST

QMASTER®
QUIET

**DRY VACUUM
CLEANER**

This unit is intended for commercial use.

READ & FOLLOW ALL INSTRUCTIONS, WARNINGS & CAUTIONS BEFORE USING THIS VACUUM

This vacuum will afford you many years of trouble-free operating satisfaction, provided it is given proper care. All parts have passed rigid quality control standards prior to their being assembled to produce the finished product. Prior to packaging, your vacuum was again inspected for assurance of flawless assembly.

This vacuum is protectively packed to prevent damage in shipment. We recommend that upon delivery, unpack the unit and inspect it for any possible damage. Only a visual examination will reveal damage that may have occurred.

If damage is discovered, immediately notify the transportation company that delivered your vacuum. As a shipper, we are unable to report any claim for damage. You must originate any claim within 5 days.

This manual is for your protection and information. **PLEASE READ CAREFULLY** since failure to follow precautions could result in discomfort or injury. Read this manual completely before operation of this vacuum. It is important to follow the instructions in this manual to prevent the possibility of injury or damage to the user and/or vacuum.

**PLEASE READ
CAREFULLY
BEFORE
OPERATING**

SAVE THESE INSTRUCTIONS

IMPORTANT SAFETY INSTRUCTIONS



WARNING:

**To Reduce the Risk of Fire, Electric Shock or Injury:
Electric shock could occur if used on wet surfaces.
DO NOT expose to rain. Store indoors.**

*When using this vacuum basic precautions should always
be followed, including the following:*

- 1] **DO NOT** leave the vacuum when plugged in. Unplug from the outlet when not in use and before servicing.
- 2] To avoid electric shock, **DO NOT** expose to rain. Store indoors. **DO NOT** use on wet surfaces.
- 3] This is **NOT** a toy. Close attention is necessary when used around or near children.
- 4] Use only as described in this safety manual. Use only manufacturer's recommended attachments and accessories.
- 5] **DO NOT** use this vacuum with damaged cord or plug. If the vacuum is not working as it should, because it has been dropped, damaged, left outdoors or dropped into water, contact an authorized service center or factory.
- 6] **DO NOT** pull or carry by the cord, use cord as a handle, close a door on cord or pull cord around sharp edges and corners. **DO NOT** run vacuum over cord. Keep cord away from heated surfaces.
- 7] **DO NOT** unplug the vacuum by pulling on the cord. To unplug, grasp the plug, not the cord.
- 8] **DO NOT** handle the plug of the vacuum with wet hands.
- 9] **DO NOT** put any objects into the openings. **DO NOT** use with any opening blocked; keep free of dust, lint, hair and anything that may reduce air flow.
- 10] Keep hair, loose clothing, fingers, and all parts of body away from openings and moving parts.
- 11] **DO NOT** pick up anything that is burning or smoking, such as cigarettes, matches, or hot ashes.
- 12] **DO NOT** use without dust bag and/or filters in place.
- 13] **DO NOT** use the vacuum to pick up flammable or combustible liquids such as gasoline or use in areas where they may be present.
- 14] Use extra care when cleaning on stairs.
- 15] **DO NOT** use where anesthetics and oxygen are used.
- 16] Turn **OFF** all controls before unplugging.
- 17] **DO NOT** use an extension cord unless absolutely necessary. If an extension cord is used, then wire size must be #14 or larger and should not exceed 50 feet in length. The extension cord must be a three-wire type to insure grounding protection.
- 18] Replace damaged or worn parts immediately with genuine original equipment parts to maintain safety and to protect your limited warranty.

If you vacuum has a outlet for a motorized power nozzle, always turn **OFF** vacuum before connecting or disconnecting the motorized nozzle.

This vacuum must be connected to a properly grounded outlet only. (See grounded instructions). When not in use the power cord should be wrapped around the motor head cord holder for storage.

SAVE THESE INSTRUCTIONS



DANGER:

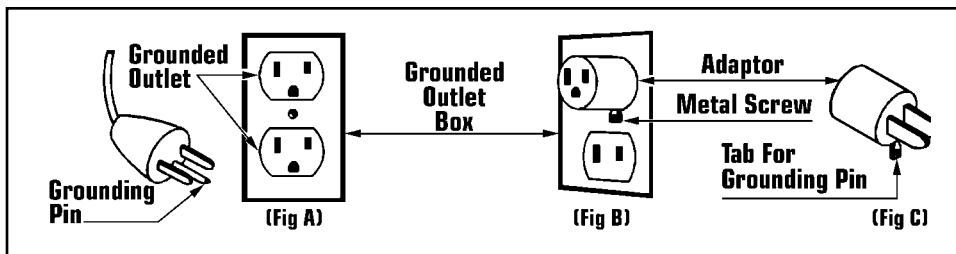
Improper use of the grounding plug can result in a risk of electric shock.

GROUNDING INSTRUCTIONS

Electrical equipment must be grounded. If it should malfunction or breakdown, grounding provides a path of least resistance for electrical current to reduce the risk of electric shock. The vacuum is equipped with a cord having an equipment-grounding conductor and grounding plug. The plug must be inserted into an appropriate outlet that is properly installed and

grounded in accordance with all local codes and ordinances.

If repair or replacement of the cord or plug is necessary, **DO NOT** connect the grounded wire to either flat blade terminal. The wire with insulation having an outer surface that is green with or without yellow stripes is the grounding wire.



GROUNDING METHODS

This electric equipment is for use on a nominal 120 volt circuit, and has a grounded plug that looks like the plug illustrated in (Fig A). A temporary adaptor that looks like the adaptor illustrated in (Fig B & C) may be used to connect this plug to a 2-pole receptacle as shown in (Fig B) if a properly grounded outlet is not available.

The temporary adaptor should be used only until a properly grounded outlet (Fig A) can be installed by a qualified electrician. The green color rigid ear, lug or the like extending from the adaptor must be connected to a permanent ground such as a properly grounded outlet box cover. Whenever the adaptor is used, it must be held in place by a metal screw (Fig C).



WARNING:

Improper connection of the equipment-grounding conductor can result in a risk of electric shock. Check with a qualified electrician or service person if you are in doubt as to whether the outlet is properly grounded.

DO NOT modify the plug provided with the equipment. If it will not fit the outlet, have a proper outlet installed by a qualified electrician.

Note: In Canada, the use of a temporary adaptor is not permitted by the Canadian Electrical Code.

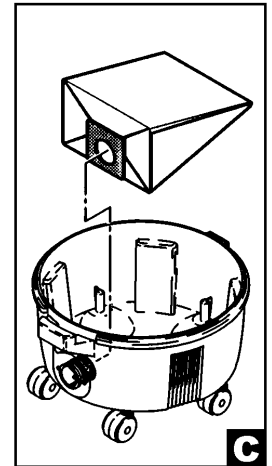
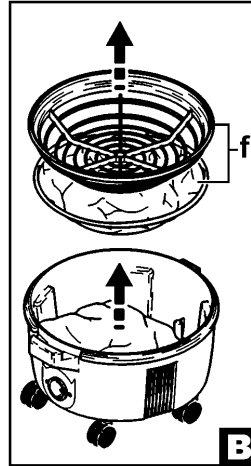
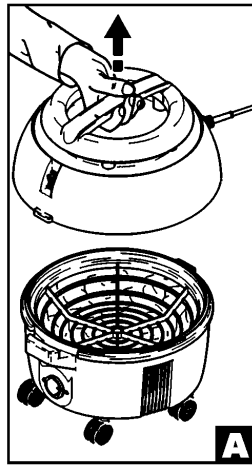
Treat your vacuum cleaner as you would any other high grade precision made product. Dropping, unreasonable bumping across thresholds and other misuses may result in a damaged unit which will not be covered by warranty.

CARE OF VACUUM

FILTER INSTALLATION & REMOVAL

This vacuum is shipped assembled. It is equipped with a air-thru motor, designed for dry pickup only.

The paper filter bags and a impact filter shipped with the vacuum **MUST** be installed before operating the vacuum.

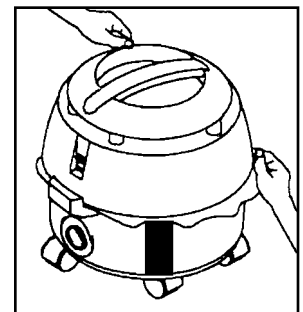
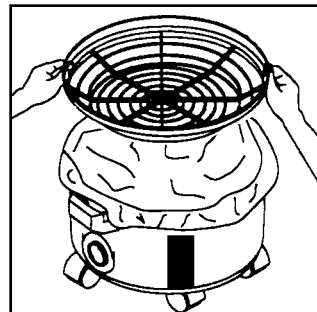
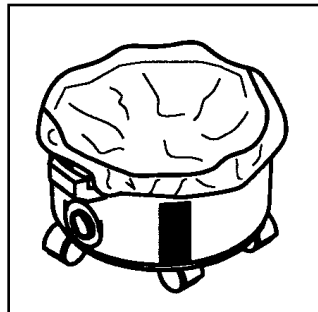


Paper Filter Bag Installation:

(A) Press the holddown clamp upward and remove the motor head and set aside.

(B) Remove the cloth filter assembly (F), set aside.

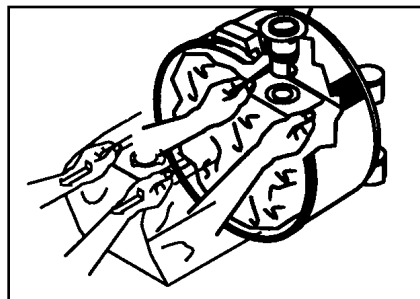
(C) Expand the bag pleats to form full shape of bag. Position hole in collar to end of inlet tube and pull forward until collar is completely on the tube and as close to the tank wall as possible.



Impact Filter Installation:

1) Place the impact filter around the perimeter of the tank.

2) Replace cloth filter assembly and secure clamps.



Paper Filter Bag Removal:

1) Pull the paper filter bag out of tank using care not to puncture bag with inlet tube. Install a new bag and dispose of the full bag.

2) Replace impact filter and dry filter assembly.

3) Replace motor head on tank and close clamps.

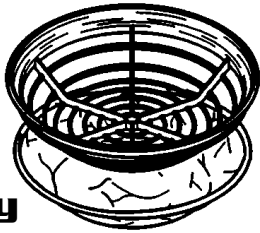


CAUTION:

Always exercise caution when handling the motor head.
Dropping the motor head may cause permanent damage to internal components.

FILTER MAINTENANCE

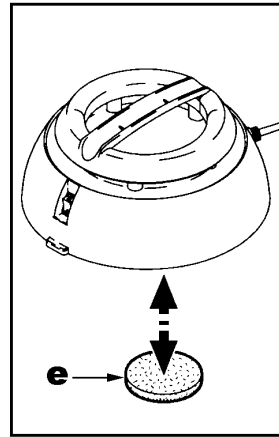
Cloth Filter Assembly



In order to maintain maximum efficiency of this vacuum it is important to clean the cloth filter each time the tank is emptied. To clean the cloth filter, shake off loose particles and vacuum the cloth or, for a more thorough cleaning wash and allow to dry

Note: Water temperature should be not more than 72°F when washing the cloth filter.

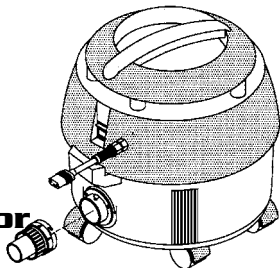
Motor Filter



Clean the filter (E) after changing the paper filter bag. After 10 paper bag changes replace the filter. The blue side of the filter must be visible.

ATTACHMENT INSTALLATION

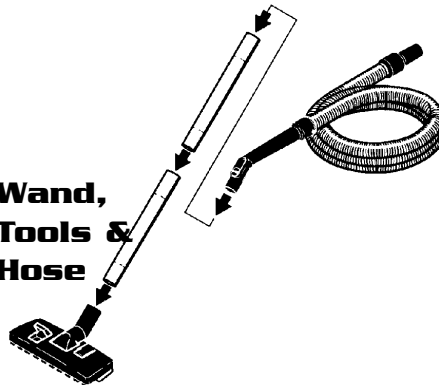
Hose & Swivel Connector



The vacuum hose and swivel connector are preassembled at the factor. To attach the swivel connector to the intake fitting on the vacuum tank.

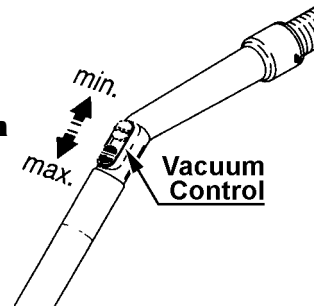
- 1) Line up the slots in the swivel connector with retaining rivets on inlet.
- 2) Insert swivel connector and twist clockwise until the rivets reset against slot ends.

Wand, Tools & Hose



- 1) Firmly connect wand pieces and tool required for your cleaning operation.
- 2) Insert vacuum hose into wand elbow.
- 3) Plug in power cord and turn on the vacuum switch.

Wand Vacuum Control



- 1) The vacuum control located on the upper part of the wand adjusts the vacuum power for cleaning different types of surfaces.



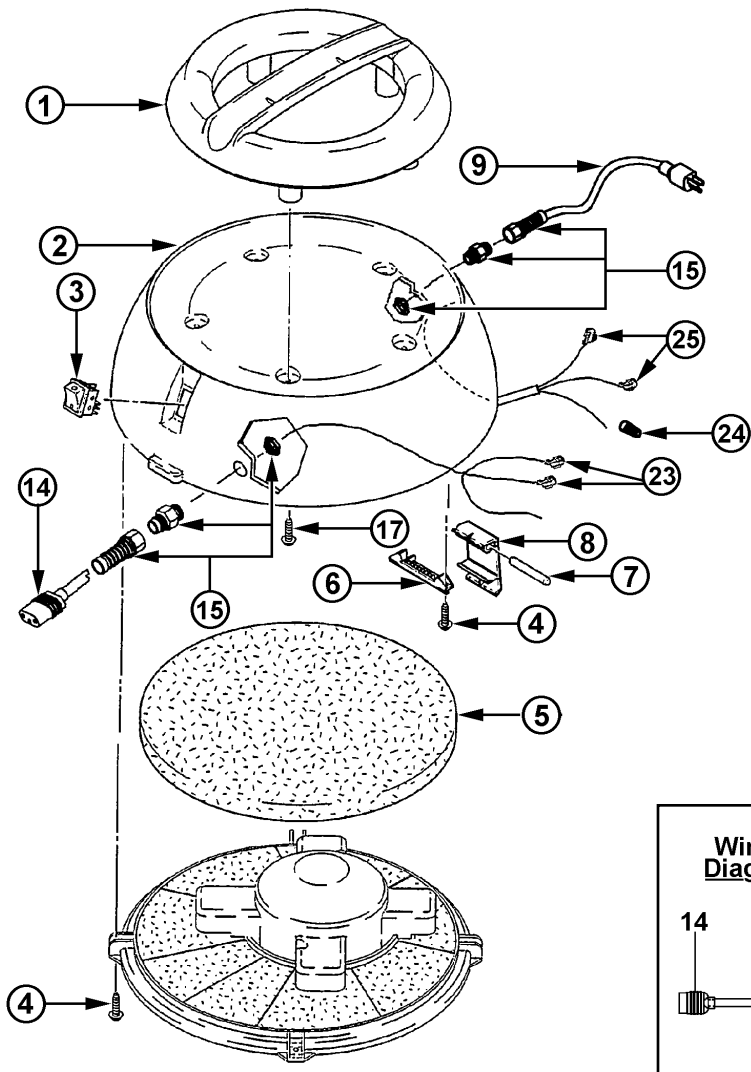
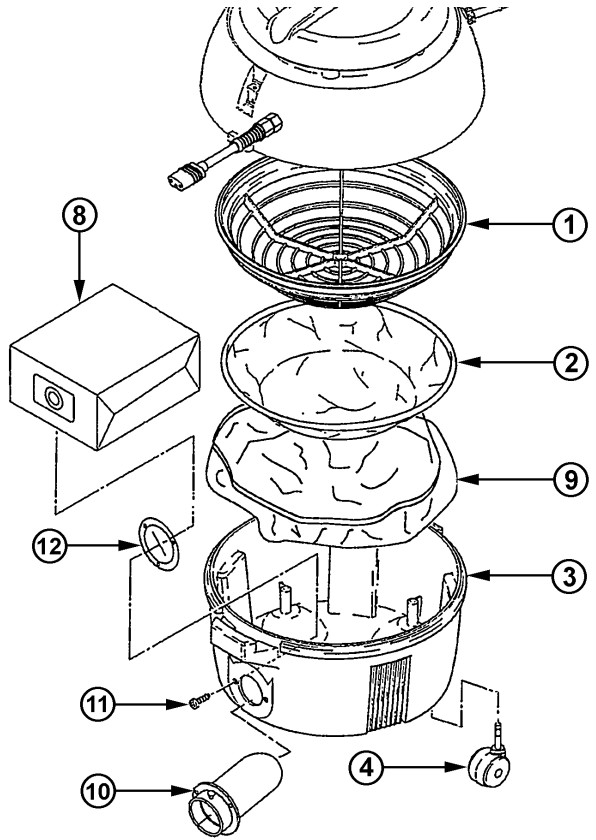
CAUTION:

This vacuum is equipped with a thermal cut-off. If the thermal cut-off shuts OFF the vacuum, change the filter bag and make sure there is nothing lodged in the hose or wand. The thermal cut-off may take up to 20 minutes to reset itself.

REPLACEMENT PARTS LIST

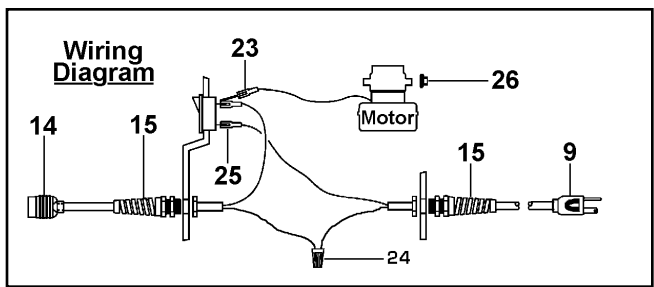
TANK ASSEMBLY & FILTERS

Ref No	Part Description	Part No
1	Filter Cage	409243
2	Cloth Filter	409251
3A	Vacuum Tank	417939
3B	Vacuum Tank Assembly	419869
4	Swivel Caster	418374
8	Paper Bag (5/Pk)	408239
9	Impact Filter (1/Pk)	408328
10	Metal Inlet Fitting w/Gasket	356298
11	M5 X 12 MM Screw (3)	374733
12	Metal Plate	417955



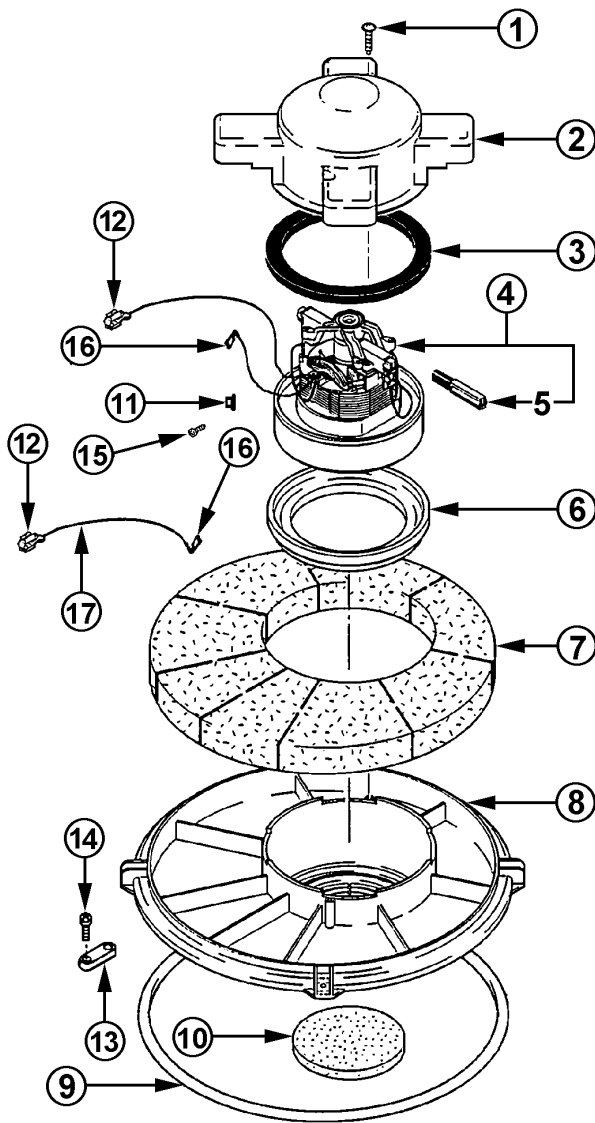
DOMES ASSEMBLY

Ref No	Part Description	Part No
1	Handle	417971
2	Dome	418366A
3	Tumbler Switch	415235
4	KA40 X 12 Screw	418005
5	Silencing Foam	418013
6	Holdown Pin	418021
7	Pin	418048
8	Latch	418056
9	30 Ft Line Cord	318647
14	Female Pig Tail	369160
15	Strain Relief Assy	443379
17	M12 X 16MM Screw	457034
23	Piggy Back Terminal (2)	437298
24	Orange Wire Nut	398985
25	Insulated Terminal (2)	394041
26	Thermal Cut Off	300578



REPLACEMENT PARTS LIST

MOTOR ASSEMBLY

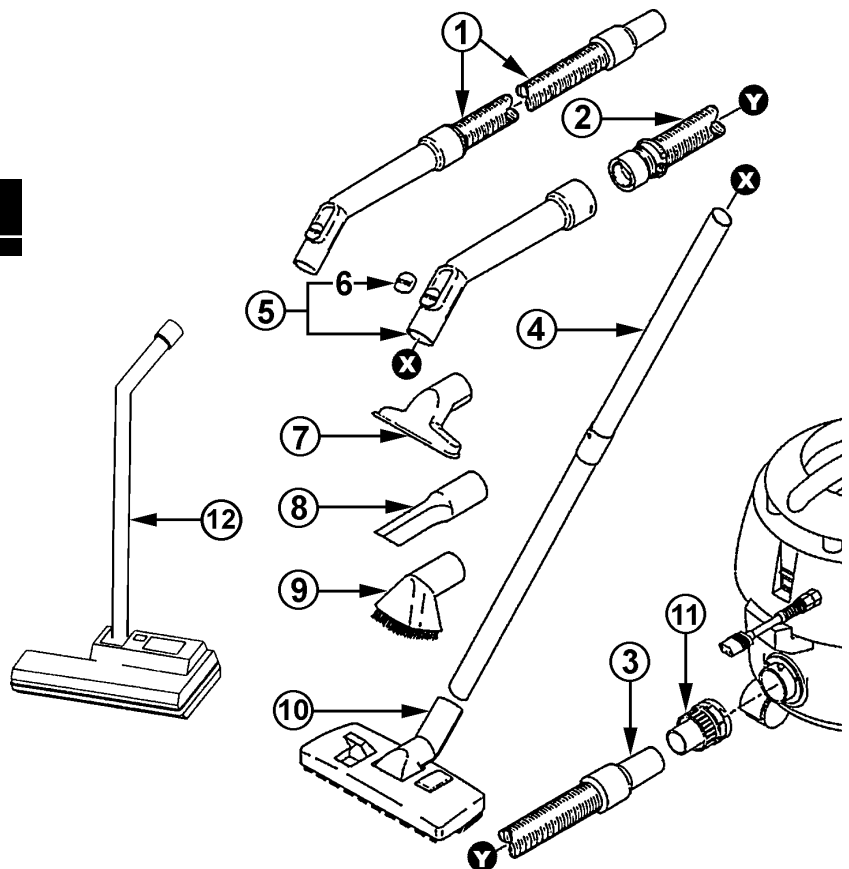


Ref No	Part Description	Part No
1	Screw, KA40 X12	418005
2	Motor Cover	418161
3	Top Motor Gasket	418188
4A	120V Vacuum Motor (Includes Nos: 5; 11; 12; 15; 16; 17)	373893
4B	230V Vacuum Motor (Includes Nos: 5; 11; 12; 15; 16; 17)	393045
5	Carbon Brush (120V Mtr - 2)	449296
6	Lower Motor Gasket	364177
7	Silencing Foam	418234
8	Cover	418242
9	Silencing Gasket	418250
10	Motor Filter	418269
11	Thermal Cut Off	300578
12	Insulated Terminal (2)	394041
13	Cable Lock	436992
14	Cable Lock Screws (2)	437026
15	#6-10 X .37 Screw	349011
16	Flag Terminal	379166
17	#14 X 9" White Lead	335754

HOSE, WAND & TOOLS

Ref No	Part Description	Part No
1	Hose Assembly	413216A
2	Vacuum Hose	400661
3	Hose Cuff	378038
4	Straight Wand (2 Required)	408212
5	Wand Elbow	418331
6	Slide	418358
7	Upholstery Tool	409146
8	Crevice Tool	409154
9	Brush, Dusting	409162
10	Tool, Carpet/Floor	409170
11	1 1/2" Hose Connector	349445
12	Power Nozzle*	408379
13	Air Power Brush*	408360

*Optional Accessories



TROUBLE SHOOTING GUIDE



CAUTION

Always disconnect power cord before servicing vacuum.

PROBLEM: Loss of Vacuum.

Possible Cause:

1. Motor head not placed on vacuum tank properly.
2. Dry filter assembly is dirty.
3. Faulty vacuum motor.
4. Full paper filter bag.
5. Clogged hose or wand.
6. Loose or broken fan.

Possible Solution:

1. Remove motor head and re-adjust on vacuum tank.
2. Clean cloth filter.
3. Call manufacturer or service center.
4. Replace paper filter bag.
5. Remove obstruction.
6. Contact manufacturer or service center.

PROBLEM: Motor is not running.

Possible Cause:

1. Faulty **ON/OFF** switch.
2. Power cord defective.
3. Loose connection or wiring.
3. Motor defective.
4. Blown fuse or tripped circuit breaker.

Possible Solution:

1. Contact manufacturer or service center.
2. Contact manufacturer or service center.
3. Contact manufacturer or service center.
4. Contact manufacturer or service center.
5. Replace fuse or reset circuit breaker.

PROBLEM: Dust blowing from vacuum.

Possible Cause:

1. Full paper filter bag.
2. Paper filter bag not installed properly or off inlet tube.
3. Cloth filter bag dirty.
4. Cloth or paper filter bag is torn.

Possible Solution:

1. Replace filter bag.
2. Reinstall or replace paper filter bag.
3. Clean cloth filter bag.
4. Replace.



WARNING:

Repairs should only be performed by an authorized service center.



Address:
777 South Street, Newburgh, NY 12550-0606
TEL:
(800) 835-7812 (845) 565-8850
FAX:
(800) 752-6883 (845) 565-9392
URL:
www.mastercraftusa.com
E-mail:
mail@mastercraftusa.com