

# 175 RPM & 250 RPM FLOOR MACHINES REPLACEMENT PARTS LIST

**15" - 17" - 20" - 21" - 24"**



**Address:**  
777 South Street  
Newburgh, N Y 12550-0606

**TEL:**  
(800)835-7812 ♦ (845)565-8850

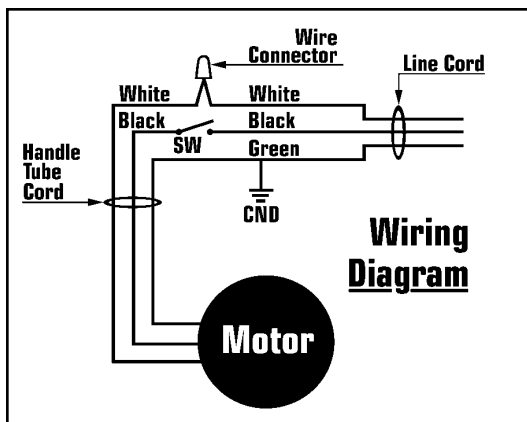
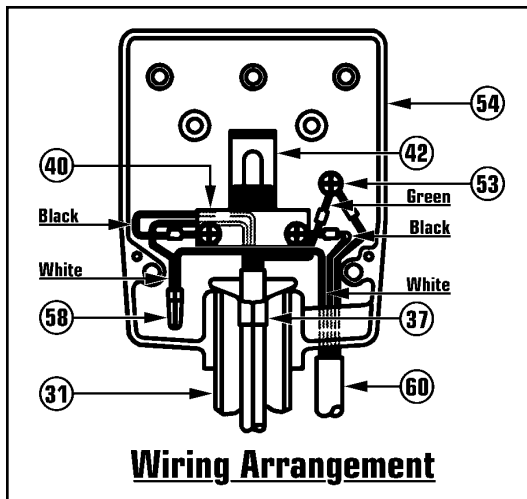
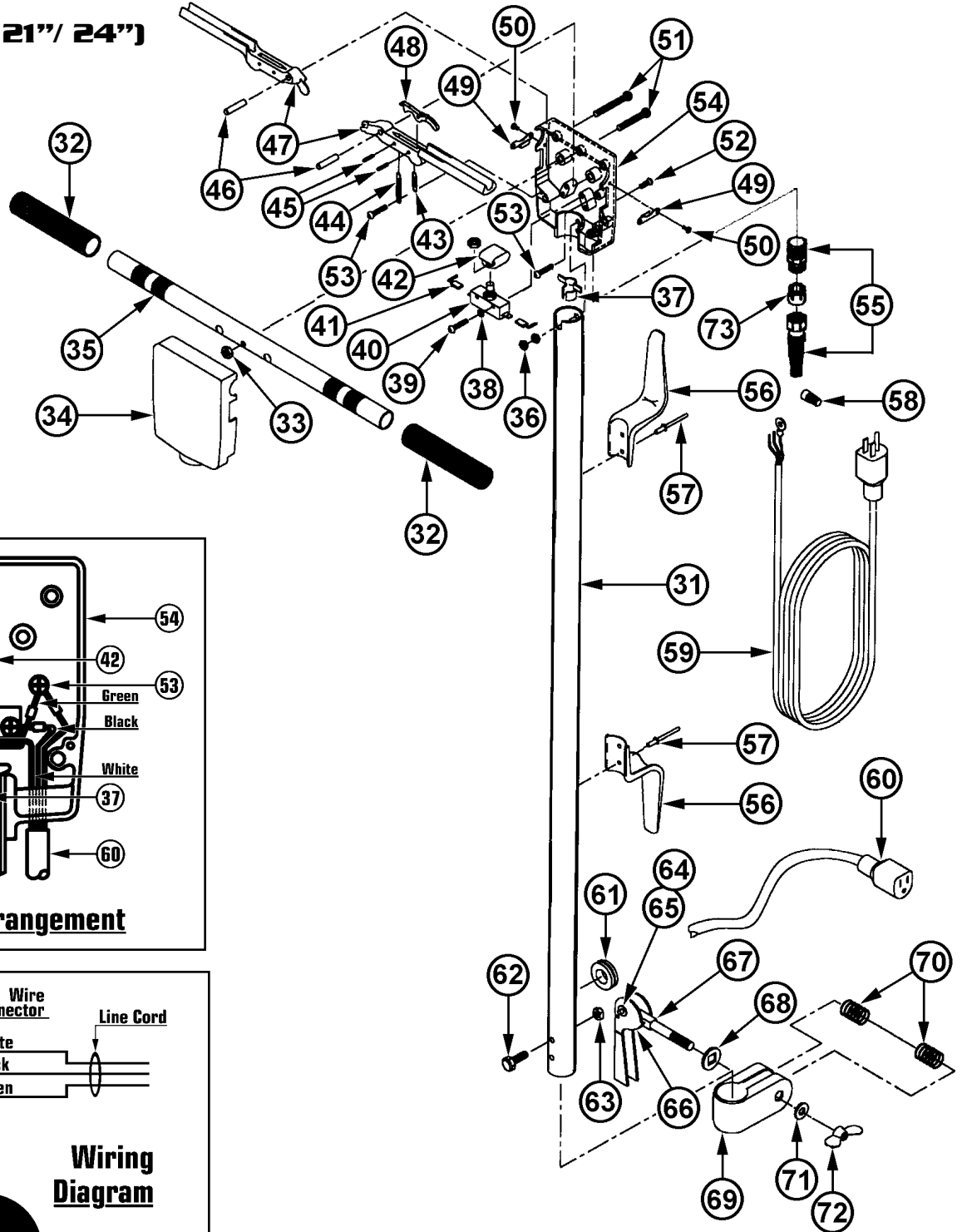
**FAX:**  
(800)752-6883 ♦ (845)565-9392

**URL:**  
[www.mastercraftusa.com](http://www.mastercraftusa.com)

**E-Mail:**  
[sales@mastercraftusa.com](mailto:sales@mastercraftusa.com)

# HANDLE ASSEMBLY PARTS DRAWING

**175 RPM & 250 RPM**  
(15" / 17" / 20" / 21" / 24")



# HANDLE ASSEMBLY REPLACEMENT PARTS LIST

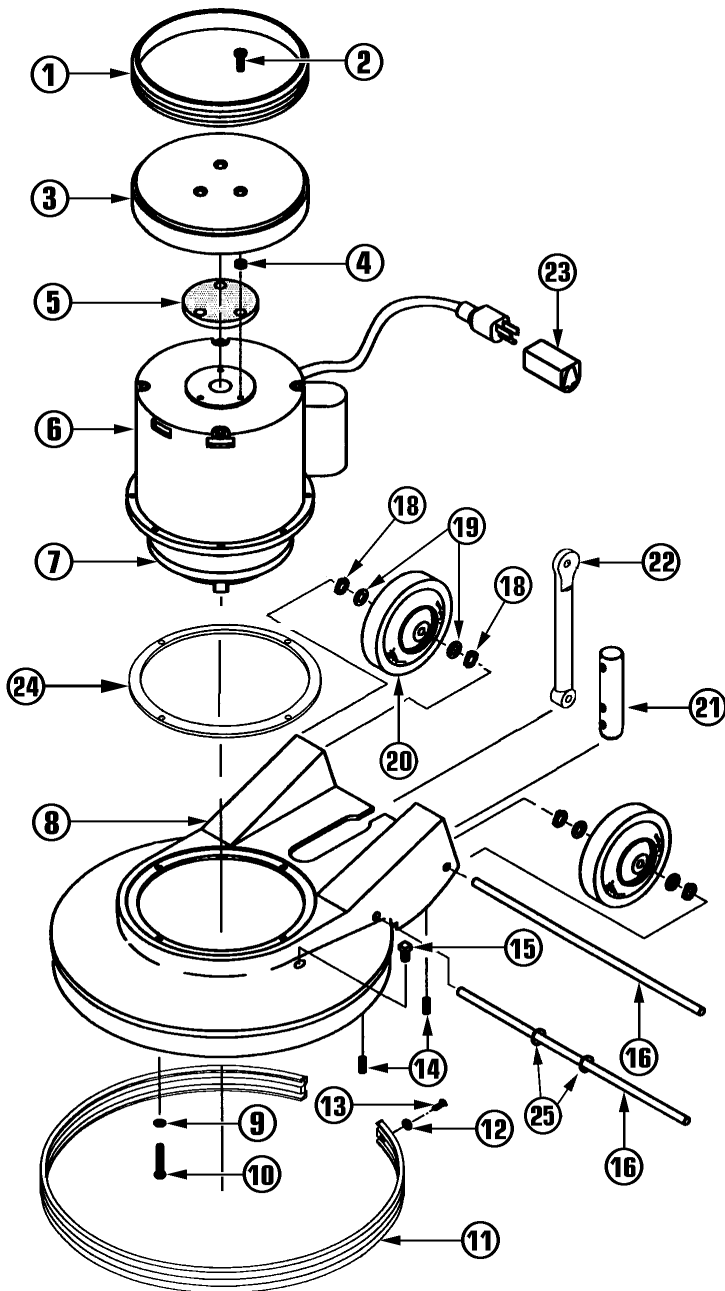
## 175 RPM & 250 RPM (15"/ 17"/ 20"/ 21"/ 24")

Ref No	Part Description	Qty	Part No
	Handle Assembly	1	369357
31	Handle Tube	1	376779
32	Ribbed Handle Grip	2	324744
33	#12-24 Nut w/Lockwasher	1	376744
34	Switch Box Cover	1	469513
35	Handle Bar	1	376612
36	#12-24 Hex Nut w/Lockwasher	2	376744
37	Cord Clamp	1	342890
38	#6 Internal Tooth Washer	2	355224
39	#6-32 X 1" Switch Screw	2	335576
40	Switch	1	469629
41	Flag Terminal	2	379166
42	Leaf Spring	1	335584
43	Trigger Lock Spring	2	383147
44	Extension Spring	2	376671
45	Roll Pin	4	383139
46	1/4 X 1 1/4" Trigger Pin	2	376701
47A	Plastic Trigger	2	385654
47B	Trigger Kit	1	386839
48	Trigger Lock	2	390119
49	Reinforced Plate	2	387169
50	#6-32 X 1/4" Screw	4	349402
51	#12-24 X 1 7/16" Screw	4	376760
52	#12-24 X 1 1/2" Screw	2	312746
53	#8-32 X 3/8" Screw	3	367389
54	Switch Box	1	469491
55	Complete Strain Relief	1	352705
56	Cord Hook	2	352845
57	Pop Rivet	4	318892
58	Electrical Orange Wire Nut	1	398985
59	50 Ft, 14-3 Power Cord	1	376809
60	14-3 Handle Power Cable	1	435279
61	Grommet	1	435252
62	5/16-18 X 1 1/2" Screw	2	353272
63	.31-18 Hex Locknut	2	354791
64	Cap	1	380555
65	Lever Pin	1	382434
66A	Clamping Lever	1	380520
66B	Clamping Lever Kit	1	380822
67	.37-16 X 3 3/8" Bolt	1	380504
68	Square Hole Flat Washer	1	382426
69	U Clamp	1	376051
70	Spring	2	367184
71	Steel Washer	6	353221
72	Wing Nut	1	380490
73	Brass Bushing	1	390348

\*On 24" machine only (1) required.

# MOTOR & CHASSIS REPLACEMENT PARTS LIST

## 175 RPM & 250 RPM (15"/ 17"/ 20"/ 21"/ 24")



Ref No	Part Description	Qty	Part No
1	Canopy Bumper	1	441635
2	#10-32 X 1/2" Canopy Screw	3	377201
3A	Motor Canopy(MD15B)Blue Plastic	1	374385
3B	Motor Canopy Chrome	1	353132
3C	Motor Canopy BHMK	1	246735
4	Canopy Nylon Spacer	3	377228
5	Canopy Gasket	1	354678
6A	1/2 HP, 120V Motor & Gear Box	1	353868
	1/2 HP, 120V Motor Only	1	351717
6B	1 HP, 120V Motor & Gear Box	1	469572
	1 HP, 120V Motor Only	1	415901
6C	1 1/2 HP, 120V Motor & Gear Box	1	469580
6D	1 1/2 HP, 120V Motor Only	1	456764
	(Dual Capacitor for 175 & 250 RPM)		
6E	1 HP, 230V Motor & Gear Box	1	357324
6F	1 1/2 HP, 230V Motor & Gear Box	1	323055
7A	175 RPM 2 Idler Gear Box	1	386294
7B	175 RPM 3 Idler Gear Box	1	386006
7C	250 RPM High Speed Gear Box	1	367508
8A	15" Apron Polished	1	353485
	15" Apron BHMK	1	371513
8B	17" Apron Polished	1	353507
	17" Apron BHMK	1	343544
8C	20" Apron Polished	1	353523
	20" Apron BHMK	1	343579
8D	21" Apron Polished	1	360457
	21" Apron BHMK	1	372307
8E	24" Apron Polished	1	353558
	24" Apron BHMK	1	411752
9	1/4" Steel Lockwasher	4	342858
10	1/4-20 X 3/4" Screw	4	354775
11A	15" Bumper	1	441651
11B	17" Bumper	1	441678
11C	20" & 21" Bumper	1	441686
11D	24" Bumper	1	441708
12	#18 Steel Flat Washer	5	322164
13	3/16" X 3/4" Pop Rivet	5	374733
14	5/16-18 Set Screw	2*	352861
15	Cap Plug (Except 21")	1	353426
16A	Axle Shaft	1	353256
16B	Axle Shaft w/Grooves (24" only)	1	386049
18	Spring Washer	5	353248
19	Steel Washer	7	353221
20A	5" Wheels (for 15"-21")	2	357766
20B	4" Wheels (for 24")	2	353191
21	Reinforced Tube	1	288691
22A	Strut Support (for 15"-21")	1	354570
22B	Strut Support (for 24")	1	312223
23	Gray Connector Sleeve	1	355844
24	Ring Spacer	1	222739
25	Collars	2	388815