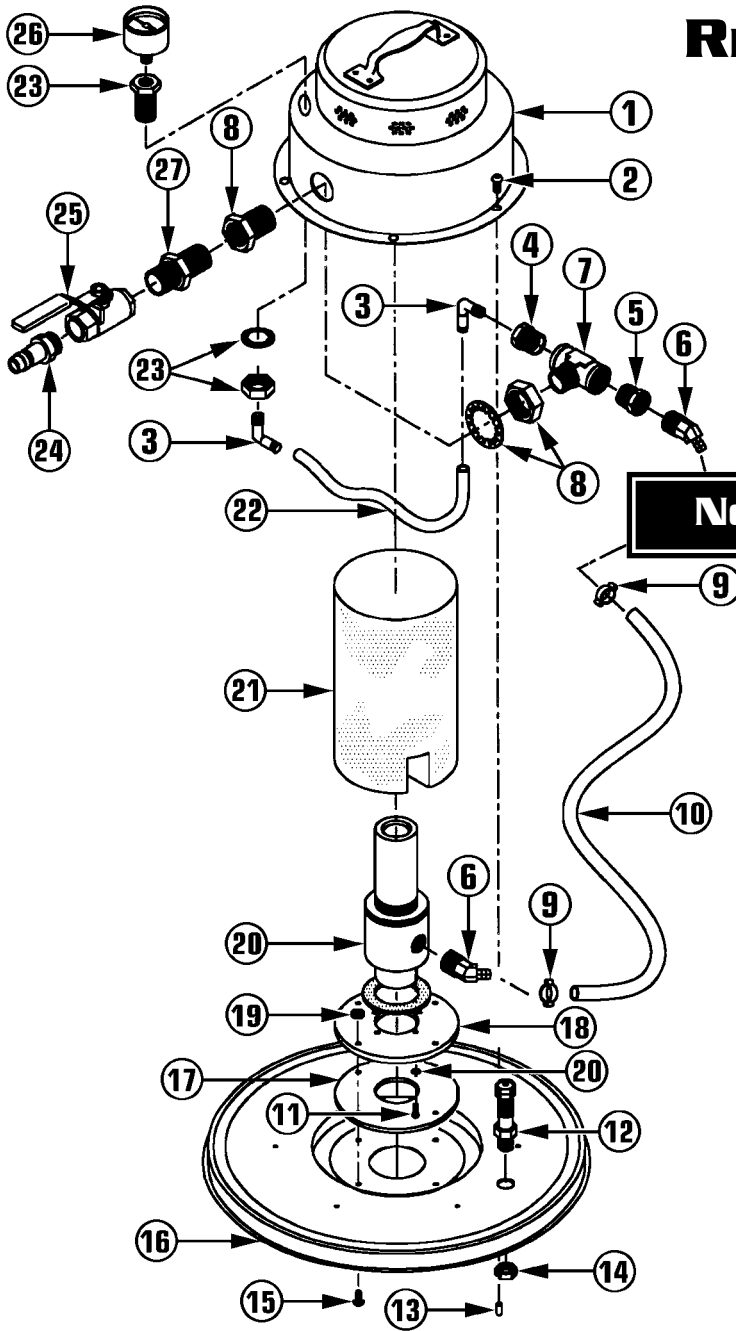


MAV AIR-OPERATED HEAD REPLACEMENT PARTS LIST (16" & 12" DIA)



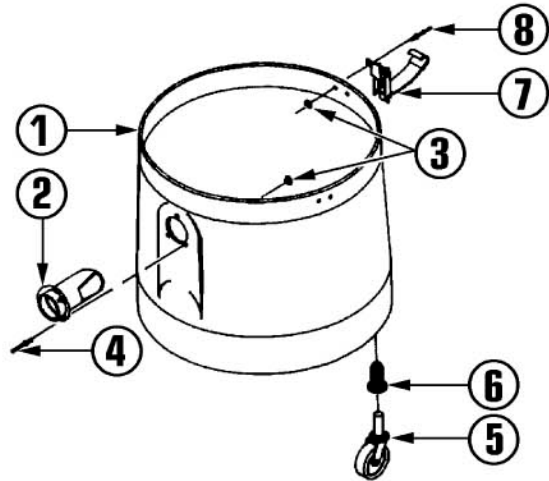
NON-ELECTRIC COMPRESSED AIR

| Ref No | Part Description | Qty | Part No |
|--------|---------------------------------|-----|---------|
| | 16" Air-Operated Head Assy | 1 | 304913 |
| | 12" Air-Operated Head Assy | 1 | 368563 |
| 1 | Dome Assembly | 1 | 304077 |
| 2 | #12-14 X 1/2" Screw (16" Head) | 6 | 314595 |
| 3 | 1/8" NPT Elbow Fitting | 2 | 304395 |
| 4 | 1/2" to 1/8" Reducer | 1 | 304298 |
| 5 | 1/2" to 3/8" Reducer | 1 | 359947 |
| 6 | 45 Deg Barber Connector | 2 | 304679 |
| 7 | 1/2" Tee Fitting (16" Head) | 1 | 304379 |
| 8 | 1/2" NPT Bulk Head | 1 | 304115 |
| 9 | 5/8" Hose Clamp (16" Head) | 2 | 304948 |
| 10 | 3/8" High Pressure Hose | 1 | 304964 |
| 11 | #10-24 X 1/2" Screw | 4 | 341622 |
| 12 | Air Relief Valve (16" Head) | 1 | 304883 |
| 13 | Screw Protector (16" Head) | 6 | 341649 |
| 14 | Pal Nut | 1 | 307971 |
| 15 | #10-24 X 5/8" Screw (12" Head) | 4 | 351210 |
| 16A | 16" Cover Assembly | 1 | 304859 |
| 16B | 12" Cover Assembly | 1 | 302929 |
| 17 | Circle Gasket | 1 | 394319 |
| 18 | Mounting Plate | 1 | 304700 |
| 19 | #10-24 Hex Nut w/Lockwasher | 4 | 331201 |
| 20 | Venturi | 2 | 304506 |
| 21 | Muffer | 1 | 306096 |
| 22 | 1/4" OD Tubing | 1 | 304492 |
| 23 | 1/8" NPT Bulk Head | 1 | 304093 |
| 24 | Quick Coupler | 1 | 304484 |
| 25 | Ball Valve | 1 | 304468 |
| 26 | 0-200 Pressure Gauge | 1 | 304131 |
| 27 | 1/2" Brass Close Nipple Fitting | 1 | 350478 |
| 28 | Gasket | 1 | 416460 |
| 29 | #10 Lockwasher | 4 | 380725 |

8, 15, & 20 GALLON POLY TANK REPLACEMENT PARTS LIST

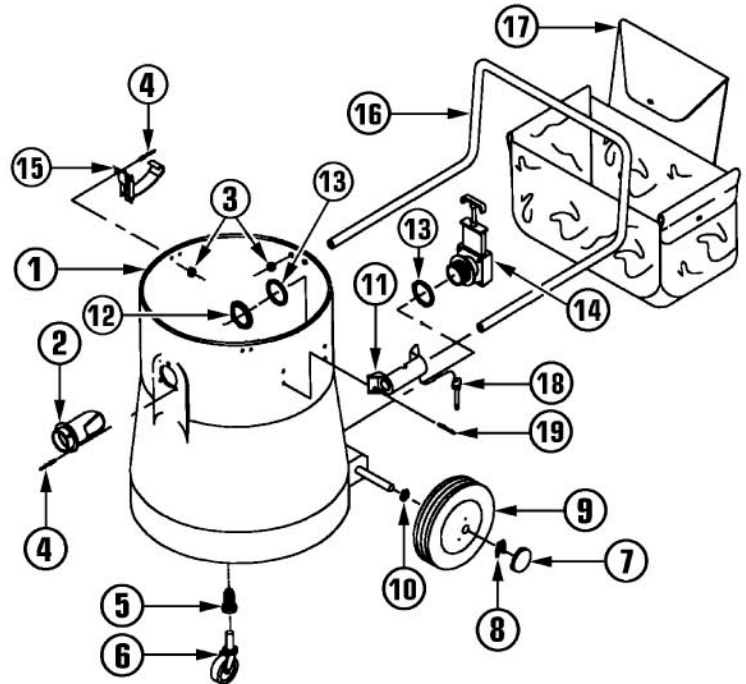
8 GALLON RECOVERY TANK

| Ref No | Part Description | Qty | Part No |
|--------|-----------------------------|-----|---------|
| 1 | Poly Tank w/o Casters | 1 | 372560 |
| 2 | Inlet Fitting | 1 | 325406 |
| 3 | Steel Washer | 9 | 303909 |
| 4 | Pop Rivet | 3 | 415472 |
| 5 | 2 1/2" Ball Bearing Casters | 4 | 307408 |
| 6 | Plastic Caster Socket | 4 | 371750 |
| 7 | Hold Down Clamp | 3 | 358312 |
| 8 | Pop Rivet | 6 | 374733 |



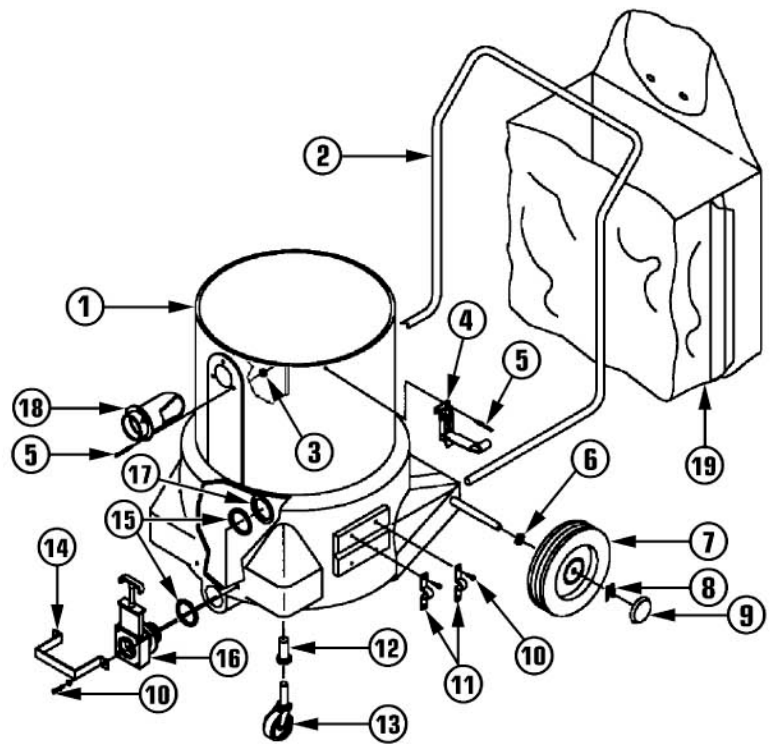
15 GALLON RECOVERY TANK

| Ref No | Part Description | Qty | Part No |
|--------|-----------------------------|-----|---------|
| 1 | Poly Tank Assembly | 1 | 375640 |
| 2 | Inlet Fitting | 1 | 325406 |
| 3 | Steel Washer | 3 | 303909 |
| 4 | Pop Rivet | 3 | 415472 |
| 5 | Plastic Caster Sockets | 2 | 371750 |
| 6 | 2 1/2" Ball Bearing Casters | 2 | 307408 |
| 7 | Hub Cap | 2 | 319317 |
| 8 | "X" Washer | 2 | 368997 |
| 9 | 8" Wheel w/Hub | 2 | 330396 |
| 10 | Spring Washer | 2 | 374059 |
| 11 | Handle Bracket | 2 | 376949 |
| 12 | Large Nut | 1 | 306789 |
| 13 | Gate Valve Gasket | 2 | 307602 |
| 14 | Gate Valve | 1 | 319260 |
| 15 | Hold Down Clamps | 3 | 358312 |
| 16 | Chrome Push Handle | 1 | 376906 |
| 17 | Tool Caddy | 1 | 319198 |
| 18 | Speed Pin & Ring Assy | 2 | 385182 |
| 19 | Pop Rivet | 14 | 374733 |

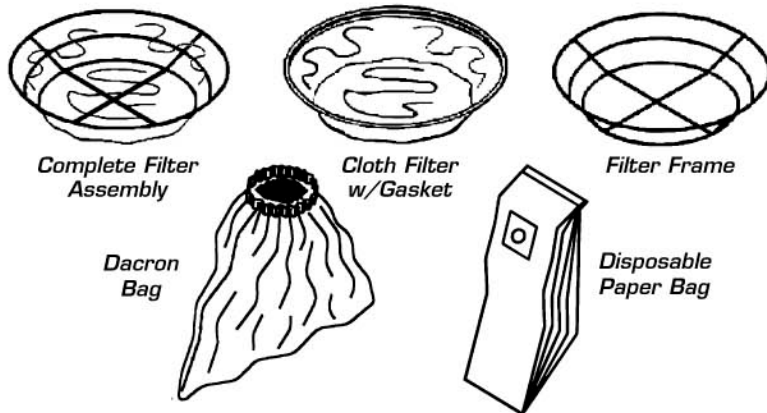


20 GALLON RECOVERY TANK

| Ref No | Part Description | Qty | Part No |
|--------|-----------------------------|-----|---------|
| 1 | Poly Tank Assembly | 1 | 326305 |
| 2 | Chrome Push Handle | 1 | 315524 |
| 3 | Steel Washer | 3 | 303909 |
| 4 | Hold Down Clamps | 3 | 358312 |
| 5 | Pop Rivet | 9 | 374733 |
| 6 | Spring Washer | 2 | 374059 |
| 7 | 8" Wheels | 2 | 369004 |
| 8 | "X" Washer | 2 | 368997 |
| 9 | Hub Cap | 2 | 319317 |
| 10 | 1/4-20 X 1 1/2" Rd Screws | 10 | 360848 |
| 11 | Handle Brackets | 4 | 328111 |
| 12 | Plastic Caster Sockets | 2 | 371750 |
| 13 | 3" Swivel Casters | 2 | 314056 |
| 14 | Guard for Gate Valve | 1 | 314064 |
| 15 | Gate Valve Gasket | 2 | 307602 |
| 16 | Gate Valve w/Hose Connector | 1 | 318442 |
| 17 | Large Nut | 1 | 306789 |
| 18 | Inlet Fitting | 1 | 325406 |
| 19 | Tool Caddy (Optional) | 1 | 354201 |

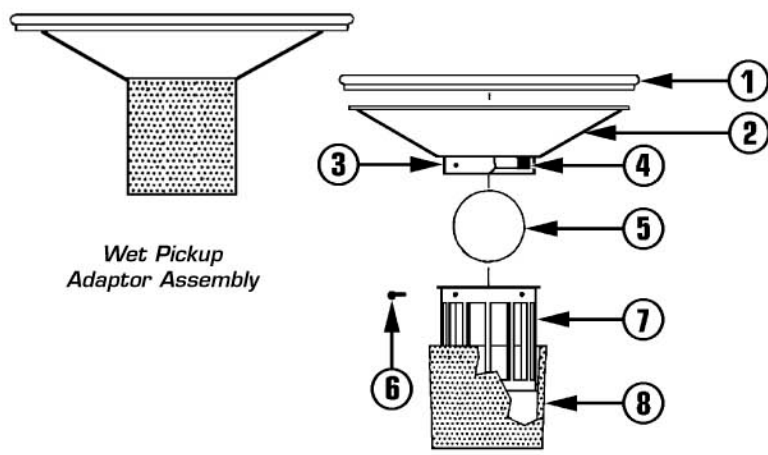


DRY FILTERS AND DISPOSABLE BAGS



| Part Description | Part No |
|--|---------|
| Complete Dry Filter Assembly | 378461 |
| Filter Frame Assembly | 371696 |
| Cloth Filter w/Gasket | 371580 |
| Dacron Clog-Proof Bag | 300888 |
| Disposable Paper Bags-5/Pk (8 Gal) | 330353 |
| Disposable Paper Bags-5/Pk (15 & 20 Gal) | 384496 |

WET PICKUP ADAPTOR REPLACEMENT PARTS LIST



| Ref No | Part Description | Qty | Part No |
|--------|--------------------------------------|-----|---------|
| | Wet Pickup Adapter Assy | 1 | 377295 |
| 1 | Sealing Gasket | 1 | 376027 |
| 2 | Wet Pan w/Filter Support and Gaskets | 1 | 371742 |
| 3 | Filter Support Cup | 1 | 377791 |
| 4 | Ball Neoprene Gasket | 1 | 338567 |
| 5 | Float Ball | 1 | 338133 |
| 6 | Screw | 2 | 309710 |
| 7 | Plastic Float Cage | 1 | 377775 |
| 8 | Foam Charcoal Sleeve | 1 | 365300 |