



PROFESSIONAL SERIES  
**PROBE 6**

# Enviromaster®

---

## HEPA BACKVAC SYSTEM

### **ENVIROMASTER® PROBE 6 AIRLINE HEPA BACKVAC**

## **SAFETY, OPERATION & MAINTENANCE MANUAL/PARTS LIST**

*This unit is intended for commercial use.*

### **READ & FOLLOW ALL INSTRUCTIONS, WARNINGS & CAUTIONS BEFORE USING THIS VACUUM**

This vacuum will afford you many years of trouble-free operating satisfaction, provided it is given proper care. All parts have passed rigid quality control standards prior to their being assembled to produce the finished product. Prior to packaging, your vacuum was again inspected for assurance of flawless assembly.

This vacuum is protectively packed to prevent damage in shipment. We recommend that upon delivery, unpack the unit and inspect it for any possible damage. Only a visual examination will reveal damage that may have occurred during shipping.

If damage is discovered, immediately notify the transportation company that delivered your vacuum. As a shipper, we are unable to report any claim for damage. You must originate any claim within 5 days.

This manual is for your protection and information. **PLEASE READ CAREFULLY** since failure to follow precautions could result in discomfort or injury.

Read this manual completely before operating this vacuum. It is important to follow the instructions in the manual to prevent the possibility of injury or damage to the user and/or machine.

**PLEASE READ  
CAREFULLY  
BEFORE  
OPERATING**

### **SAVE THESE INSTRUCTIONS**

# IMPORTANT SAFETY INSTRUCTIONS

## WARNING:



To Reduce the Risk of Fire, Electric Shock or Injury:  
Electric shock could occur if used on wet surfaces.  
**DO NOT** expose to rain. Store indoors.

*When using this vacuum basic precautions should always be followed, including the following:*

- 1) DO NOT** leave the vacuum when plugged in. Unplug from the outlet when not in use and before servicing.
- 2) To avoid electric shock, DO NOT** expose to rain. Store indoors. **DO NOT** use on wet surfaces.
- 3) This is NOT** a toy. Close attention is necessary when used around or near children.
- 4) Use only as described** in this safety manual. Use only manufacturer's recommended attachments and accessories.
- 5) DO NOT** use this vacuum with damaged cord or plug. If the vacuum is not working as it should, because it has been dropped, damaged, left outdoors or dropped into water, contact an authorized service center or factory.

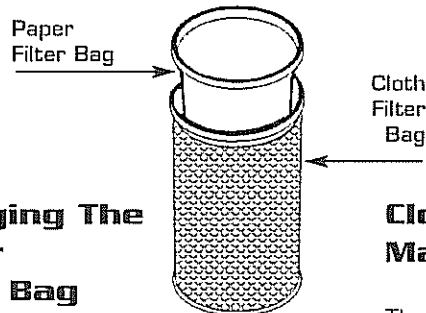
- 6) DO NOT** pull or carry by the cord, use cord as a handle, close a door on cord or pull cord around sharp edges and corners. Keep cord away from heated surfaces.
- 7) DO NOT** unplug the vacuum by pulling on the cord. To unplug, grasp the plug, not the cord.
- 8) DO NOT** handle the plug of the vacuum with wet hands.
- 9) DO NOT** put any objects into openings. **DO NOT** use with any opening blocked. Keep free of dust, lint, hair and anything that may reduce air flow.
- 10) Keep hair, loose clothing, fingers, and all parts of body away from openings and moving parts.**
- 11) DO NOT** pick up anything that is burning or smoking, such as cigarettes,

matches, or hot ashes.

- 12) DO NOT** use without dust bag and/or filters in place.
- 13) DO NOT** use the vacuum to pickup flammable or combustible liquids such as gasoline or use in areas where they may be present.
- 14) Use extra care** when cleaning on stairs.
- 15) DO NOT** use where oxygen or anesthetics are used.
- 16) Turn off all controls** before unplugging
- 18) Replace damaged or worn parts** immediately with genuine original equipment parts to maintain safety and to protect your limited warranty.

## OPERATION OF THIS VACUUM

This vacuum is equipped with an air-thru motor and is designed for dry pickup only. Unpack the carton and remove the vacuum and attachments. The backpack comes assembled.



### Changing The Paper Filter Bag

- 1) Unscrew the lid** and remove from the vacuum.
- 2) Remove the full paper bag** from the tank and dispose of it properly.
- 3) Expand a new paper filter bag** and set inside the cloth filter.
- 4) Reinstall lid.**

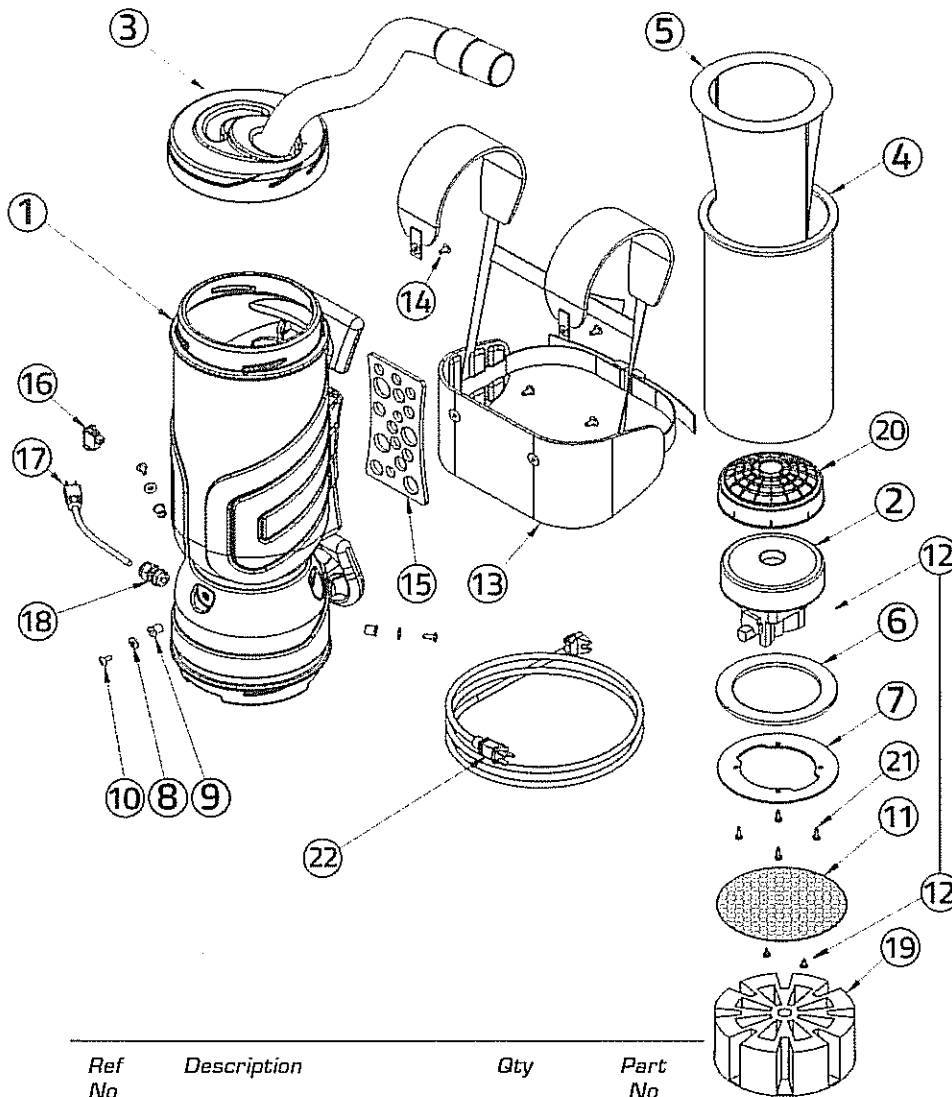
### Cloth Filter Maintenance

The cloth filter should be cleaned each time you empty the tank. **DO NOT WASH** the cloth filter because shrinkage of the cloth and damage to the gasket can occur. To clean the cloth filter, shake off loose particles and brush exposed surface with a soft bristle brush.

## CAUTION:

Always exercise caution when handling the vacuum. Dropping the vacuum could cause permanent damage to the internal components.

# ENVIROMASTER® PROBE 6 AIRLINE HEPA BACKVAC REPLACEMENT PARTS LIST



## REPLACEMENT TOOLS

| Ref# | Description      | Part #  |
|------|------------------|---------|
| 1    | Metal Wand       | 457779C |
| 2    | 11" Combo Nozzle | 468622  |

| Ref No | Description               | Qty | Part No |
|--------|---------------------------|-----|---------|
| 1      | Housing - Backpack        | 1   | 280410  |
| 2      | Vacuum Motor 115V         | 1   | 442976  |
| 3      | Cap & Hose Assy           | 1   | 281565  |
| 4      | 6 Quart Cloth Bag         | 1   | 280453  |
| 5      | 6 Qt Micro Filter Bag     | 1   | 273503  |
| 6      | Gasket - Motor To Housing | 1   | 378607  |
| 7      | Alum. Mount Ring - Motor  | 1   | 280496  |
| 8      | Plastic Well Nut Washer   | 3   | 280518  |
| 9      | Well Nut                  | 3   | 280534  |
| 10     | Screw (for well nut)      | 3   | 281573  |
| 11     | Aluminum Guard - Motor    | 1   | 445878  |
| 12     | Screw - Motor Guard       | 3   | 393258  |
| 13     | Shoulder and Waist Belt   | 1   | 280569  |

|     |                         |   |        |
|-----|-------------------------|---|--------|
| 14  | Screw - Shoulder Belt   | 4 | 280577 |
| 15  | Backrest Pad W/Adhesive | 1 | 280585 |
| 16  | On/Off Rocker Switch    | 1 | 280593 |
| 17  | 9" Pigtail Power Cord   | 1 | 280607 |
| 18  | Strain Relief with Nut  | 1 | 280615 |
| 19  | Exhaust Noise Filter    | 1 | 280623 |
| 20  | HEPA Dome Filter        | 1 | 281581 |
| 21  | Mounting Plate Screw    | 4 | 280550 |
| 22  | 50 ft Extension Cord    | 1 | 484458 |
| 22A | 100 ft Extension Cord   | 1 | 458767 |

\*Optional

Note: One paper filter bag is shipped with the unit.

# TROUBLE SHOOTING GUIDE

## CAUTION:



Always disconnect power cord before servicing vacuum.

### PROBLEM: Loss of vacuum.

#### CAUSE:

- 1) Lid is damaged.
- 2) Faulty vacuum motor.
- 3) Full paper filter bag.
- 4) Clogged hose or wand.
- 5) Loose or broken fan.

#### SOLUTION:

- 1) Inspect and replace if needed.
- 2) Call manufacturer or service center.
- 3) Replace paper filter bag.
- 4) Remove obstruction.
- 5) Contact manufacturer or service center.

### PROBLEM: Motor is not running.

#### CAUSE:

- 1) Faulty ON/OFF switch.
- 2) Power cord defective.
- 3) Loose connection or wiring.
- 4) Motor defective.
- 5) Blown fuse or tripped circuit breaker.

#### SOLUTION:

- 1) Contact manufacturer or service center.
- 2) Contact manufacturer or service center.
- 3) Contact manufacturer or service center.
- 4) Contact manufacturer or service center.
- 5) Replace fuse or reset circuit breaker.

### PROBLEM: Dust blowing from running vacuum.

#### CAUSE:

- 1) Full paper filter bag.
- 2) Paper filter bag not installed properly.
- 3) Cloth filter bag dirty.
- 4) Cloth or paper filter bag is torn.

#### SOLUTION:

- 1) Replace filter bag.
- 2) Reinstall or replace paper filter bag properly.
- 3) Clean cloth filter bag.
- 4) Replace cloth or paper bag.

## WARNING:



Repairs should only be performed by an authorized service center.

# Mastercraft

777 South Street P.O. Box 2310  
Newburgh, NY 12550-0606  
TEL:(800) 835-7812 (845) 565-8850  
FAX:(800) 752-6883 (845) 565-9392

mastercraftusa.com  
techsupport@mastercraftusa.com