



# MTHC16-OBV MULTI-PURPOSE SAFETY AND MAINTENANCE MANUAL W/PARTS LIST

This unit is intended for commercial use.

**Mastercraft**

Parts and Service Center  
777 South Street  
Newburgh, NY 12550-0606

Phone: 800.835.7812

FAX: 800.752.6883

**SAVE THESE INSTRUCTIONS**

**READ & FOLLOW ALL  
INSTRUCTIONS, WARNINGS & CAUTIONS  
BEFORE USING THIS FLOOR MACHINE**

This floor machine will afford you many years of trouble free operating satisfaction if it is given proper care. All parts have passed rigid quality control standards before being assembled to produce the finished product. Prior to packaging, the units are again inspected for assurance of flawless assembly.

This machine was protectively packed to prevent damage in shipment. We recommend that upon delivery, remove the unit from its carton and carefully inspect it for any possible damage in transit. A warranty card is affixed to the handle. It is your responsibility to fill it out and send it to our office to register your purchase and start your warranty. Failure to send us this card in one week upon receipt of the machine may void the warranty.

If damage is discovered, immediately notify the transportation company that delivered your sander. As a shipper, we are unable to act upon any claim for concealed damage. You must originate any claim within 5 days of delivery.

These instructions are for your protection and information. **PLEASE READ CAREFULLY!** Failure to follow these precautions could result in injury or discomfort.

Treat this floor sander as you would any other high grade precision made product. Throwing, dropping, unreasonable bumping across thresholds and other misuse may result in a damaged unit and invalidate the warranty.

**PLEASE  
READ  
CAREFULLY  
BEFORE  
OPERATING**

# IMPORTANT SAFETY INSTRUCTIONS

- 1) **DO NOT** leave the machine plugged in when not in use. Unplug from the outlet when not in use and/or before servicing.
- 2) Electric shock could occur if exposed to rain. Store indoors.
- 3) This is **NOT** a toy. Close attention is necessary when used around or near children.
- 4) Use only as described in this manual. Use only manufacturer's recommended attachments.
- 5) **DO NOT** use with damaged cord plug. If the machine is not working as it should because it has been dropped, damaged, left outdoors, or dropped into water, contact the manufacturer or authorized service center.
- 6) **DO NOT** use an extension cord.

- 7) **DO NOT** pull or carry by cord, use power cord as a handle, close a door on cord, or pull cord around sharp edges or corners. **DO NOT** run floor machine over the cord. Keep cord away from heated surfaces.
- 8) **DO NOT** handle the plug or operate with wet hands.
- 9) **DO NOT** put any object into the motor openings.
- 10) **DO NOT** unplug by pulling on cord. To unplug, grasp plug, not the power cord.
- 11) Keep hair, loose clothing, fingers and all parts of body away from moving parts.
- 12) **DO NOT** use without the dust bag and/or filters in place.
- 13) **DO NOT** operate where anesthetics and oxygen are used.

14) **DO NOT** use around flammable or combustible liquids such as gasoline or use in areas where they may be present.

15) Replace damaged or worn parts immediately with genuine manufacturer's equipment parts to maintain safety and protect your limited warranty.

16) Floor sanding can result in an explosive mixture of fine dust and air. Use a floor sanding machine only in a well ventilated area.

17) **DO NOT** leave sawdust in filter bag when sander is not in use, this is a fire hazard.

This floor sander must be connected to a properly grounded outlet only. (See below)



## WARNING:

To reduce the risk of fire, electric shock or injury; Read all instructions before using this floor sander.

# GROUNDING INSTRUCTIONS

This machine must be grounded. If it should malfunction or breakdown, grounding provides a path of least resistance for electrical current to reduce the risk of electric shock. This machine is equipped with a cord having an equipment-grounded plug. The plug must be inserted into an appropriate outlet that is properly installed and grounded in accordance with

all local codes and ordinances

If repair or replacement of the cord or plug is necessary, **DO NOT** connect the grounding wire to either flat blade terminal. The wire with insulation having an outer surface that is green with or without yellow stripes is the grounding wire.

# GROUNDING METHODS

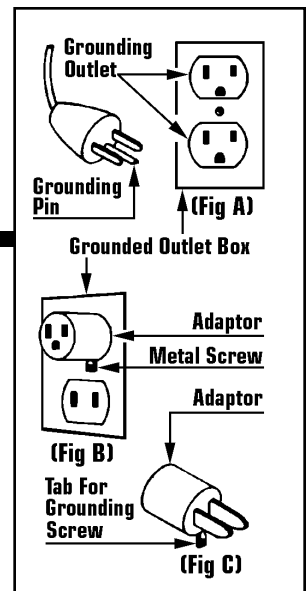
This machine is for use on a nominal 120 volt circuit, and has a grounding plug that looks like the plug illustrated in (Fig A). A temporary adaptor that looks like the adaptor illustrated in (Fig B & C) may be used to connect the plug to a 2-pole receptacle as shown in (Fig A) if a properly grounded outlet is not available.

The temporary adaptor should be used only until a properly grounded outlet (Fig A) can be installed by a qualified electrician. The green color rigid ear, lug, or like extending from the adaptor must be connected to a permanent ground such as a properly grounded outlet box cover. Whenever the adaptor is used, it must be held in place by the metal screw (Fig C).



## DANGER:

Improper use of the grounding plug can result in a risk of electrical shock.



## WARNING:

Improper connection of the equipment-grounding conductor can result in a risk of electrical shock. Check with a qualified electrician or service person if you are in doubt as to whether the outlet is properly grounded. **DO NOT** modify the plug provided with the machine. If it will not fit the outlet, have a proper outlet installed by a qualified electrician.

**NOTE:** In Canada, the use of a temporary adaptor is not permitted by the Canadian Electrical Code.



### CAUTION:

This machine is solely designed for sanding wooden floors. All operators and maintenance personnel should read and understand the safety procedures with this machine.

1) All personnel in the immediate work area must wear safety glasses with side shields whenever the machine is in operation. Protective clothing is also recommended. Long sleeve shirts and safety shoes should be worn. Avoid wearing loose clothing.

2) **DO NOT** attempt to service or replace attachments while the sander is running or connected to a power source.

3) **DO NOT** operate the machine in the rain or in areas where liquids could enter the electrical components of the machine.

4) Keep the power cord away from the revolving heads to avoid damage.

5) Check the main power supply to assure that you are connecting the equipment to a proper 15 AMP service.



### CAUTION:

**DO NOT** attempt to operate this machine if it is not fully assembled. When servicing or replacing sandpaper turn **OFF** the sander and disconnect from the power source.

This machine comes completely assembled. Sandpaper disks are installed on the pads to protect them in shipping. Check to see if the sandpaper grit is correct for the job.

1) Clear the floor of any materials or objects.

2) Tilt the machine back until the handle is laying on the floor and the sander head is fully exposed.

3) Select the correct grit of sandpaper required for the job and place sandpaper on the pad. To replace, pull off the used sandpaper and replace with new disks.

4) Carefully raise the handle, supporting the axle with your foot to control the sander head as it is placed on the floor.

5) Turn **ON** the vacuum toggle switch at the top of the handle, then turn **ON** the sander switch.



### WARNING:

**DO NOT** leave sawdust in the filter bag when sander is not in use, this is a fire hazard.

The machine comes with a special built-in vacuum to pick up sawdust as you are sanding. The vacuum switch is located on the handle, and is marked "vacuum".

During operation, periodically check the vacuum bag. When the cloth filter bag is  $\frac{3}{4}$  full or sawdust is forming around the bottom of the machine, it **MUST** be emptied.

#### To Empty Filter Bag:

1) Turn **OFF** the vacuum and sander switches and unplug the power cord.

2) Release the vacuum's holdown clamps and lift the cover away from canister.

3) Lift out the inner cloth collection bag from the tank. **DO NOT** remove the outer cloth liner.

4) Hold the bag over a trash receptacle, slide the plastic clip off the bottom of the bag and empty the contents into the receptacle.

5) Shake off loose particles from the bag and slide the plastic clip back onto the bottom of the bag.

6) Reinstall the cloth collection bag, replace vacuum cover and snap down both clamps.

1) Unplug the machine.

2) After each use, wipe off machine with a clean cloth and empty vacuum filter bag.

3) Check for loose parts and fasteners.

4) Check the power cord for any breaks in the wire. Breaks will most likely occur near the plug or switch. Repair or replace any breaks immediately.

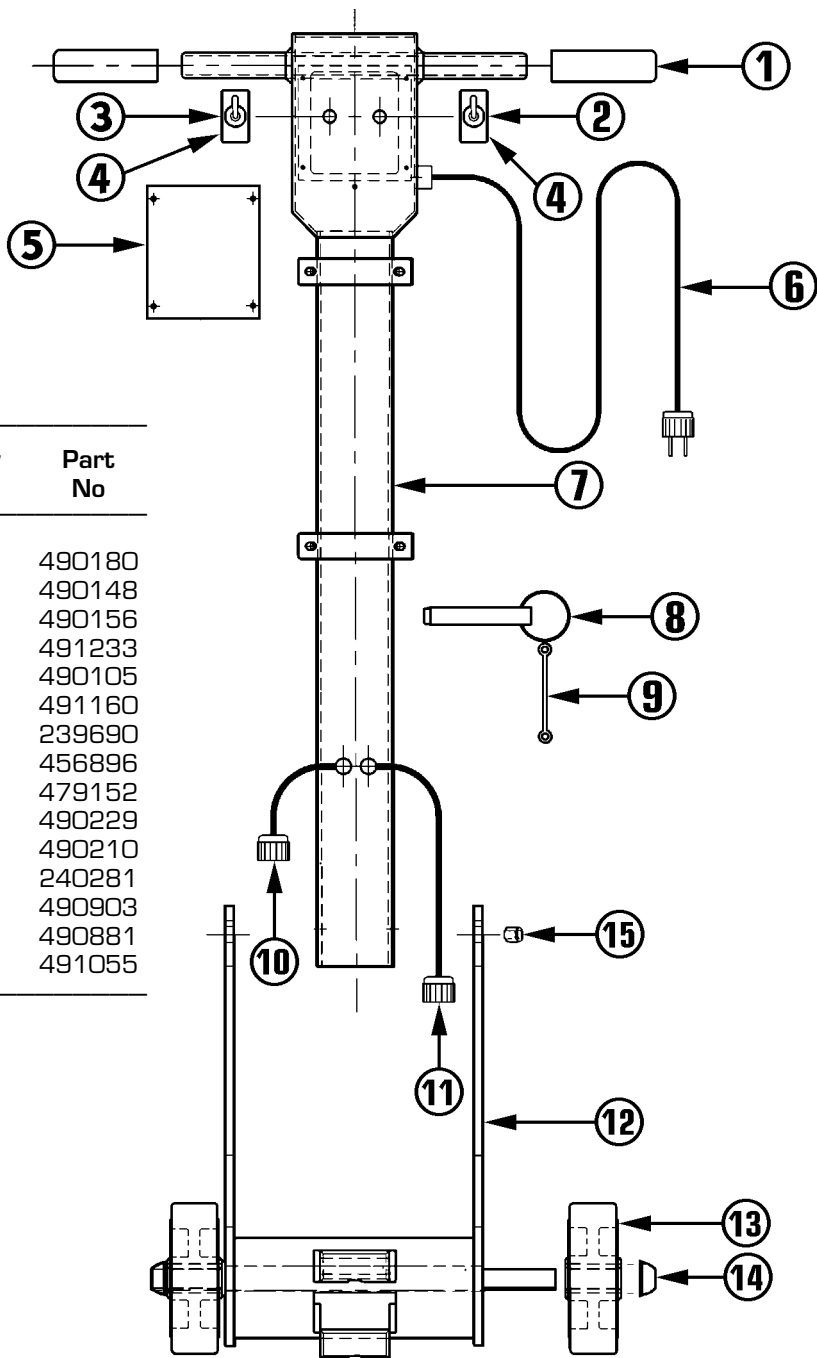
## GENERAL SAFETY PRECAUTIONS

## OPERATING INSTRUCTIONS

## VACUUM OPERATING INSTRUCTIONS

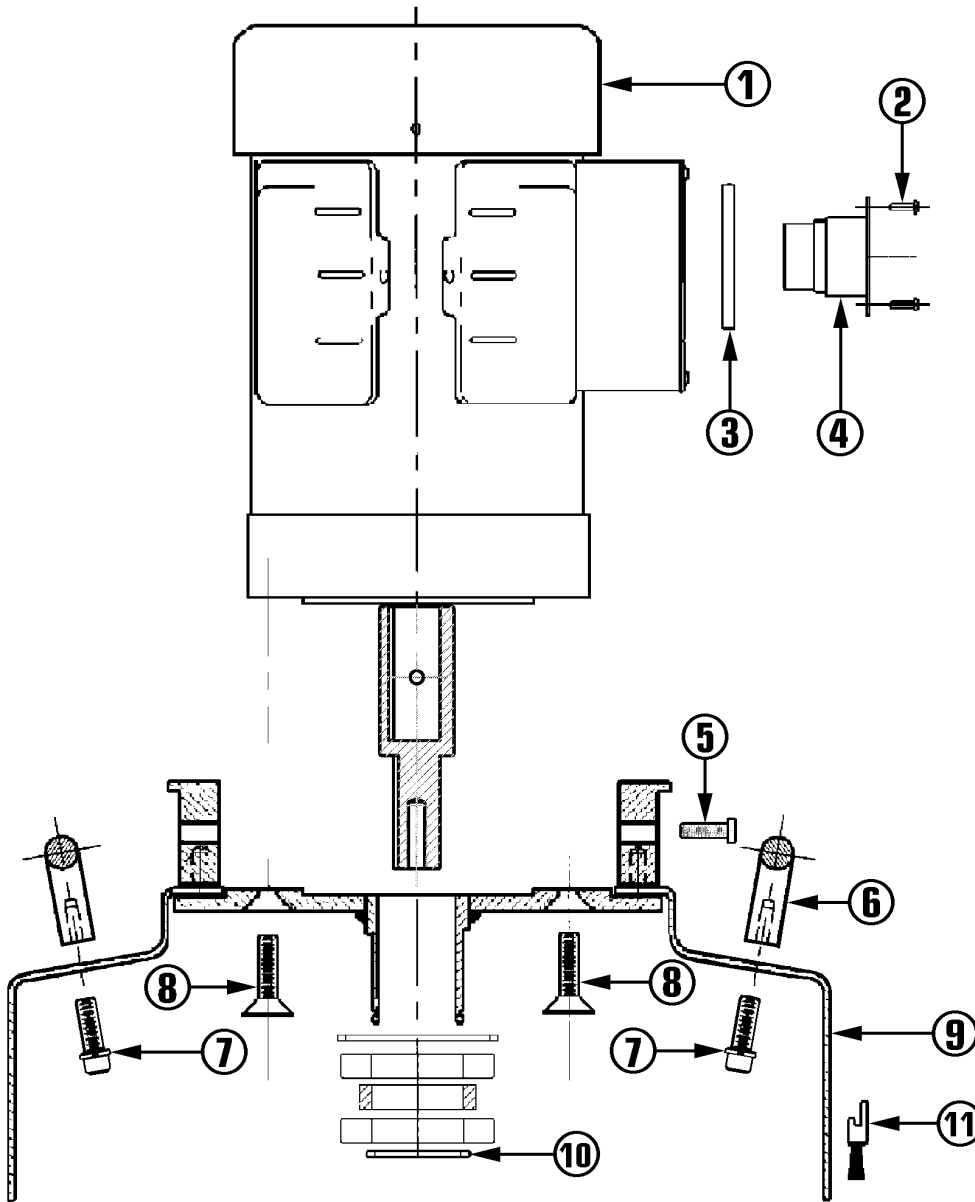
## MACHINE MAINTENANCE

# HANDLE & BASE ASSEMBLY DRAWING & PARTS LIST



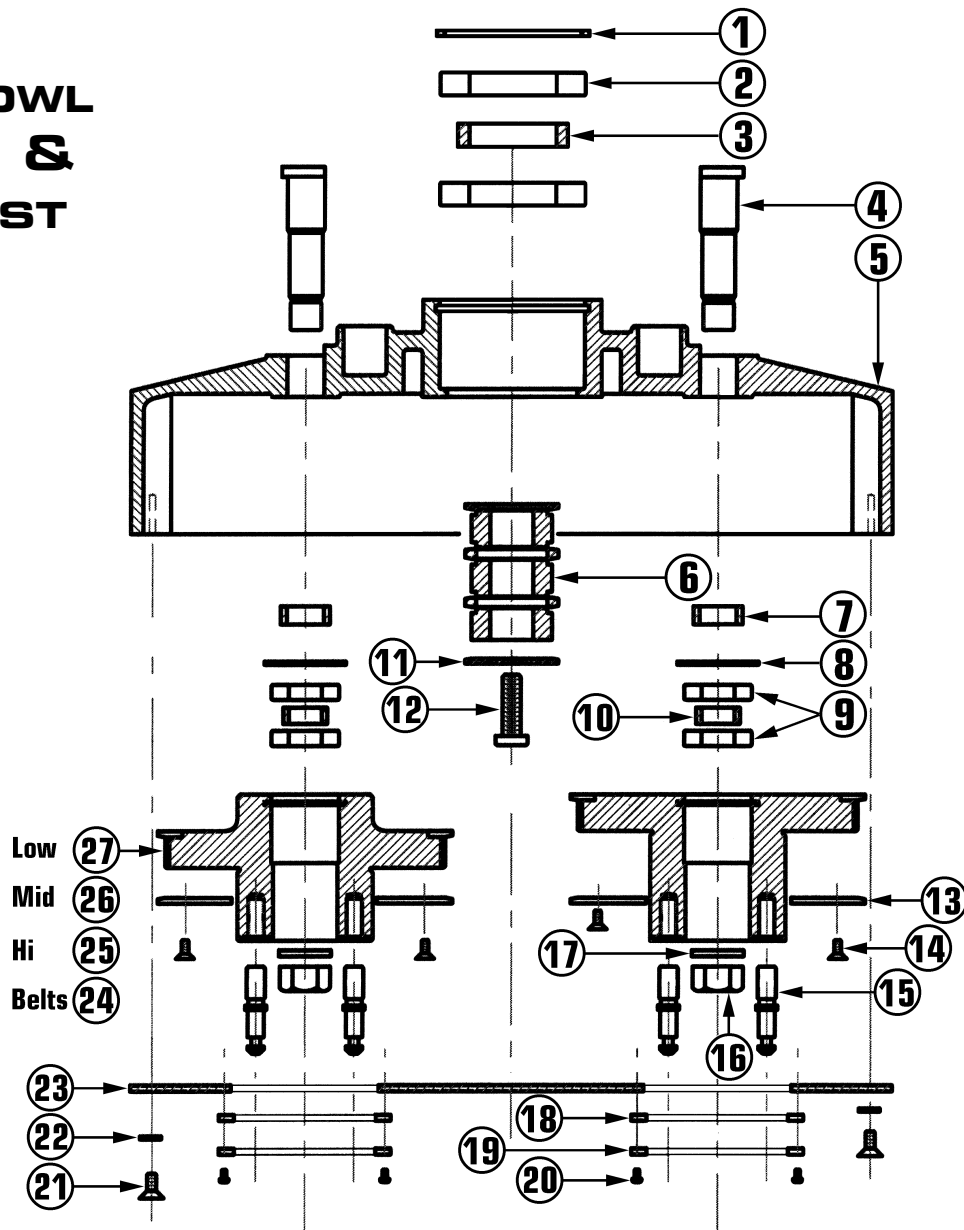
Ref No	Part Description	Qty	Part No
1	Rubber Handle Grip	2	490180
2	Sander Toggle Switch	1	490148
3	Vacuum Toggle Switch	1	490156
4	Switch Guard	2	491233
5	Switch Box Plate	1	490105
6	30 Ft Power Cord w/Plug	1	491160
7	Handle Assembly	1	239690
8	Quick Release Pin w/Cable	1	456896
9	Wire Retainer	1	479152
10	Vacuum Cord w/Female Plug	1	490229
11	Motor Cord w/Female Plug	1	490210
12	Wheel Base Assembly	1	240281
13	6" X 2" Grey Wheel	2	490903
14	Palnut	2	490881
15	Bronze Bushing	2	491055

# OUTER BOWL DRAWING & PARTS LIST



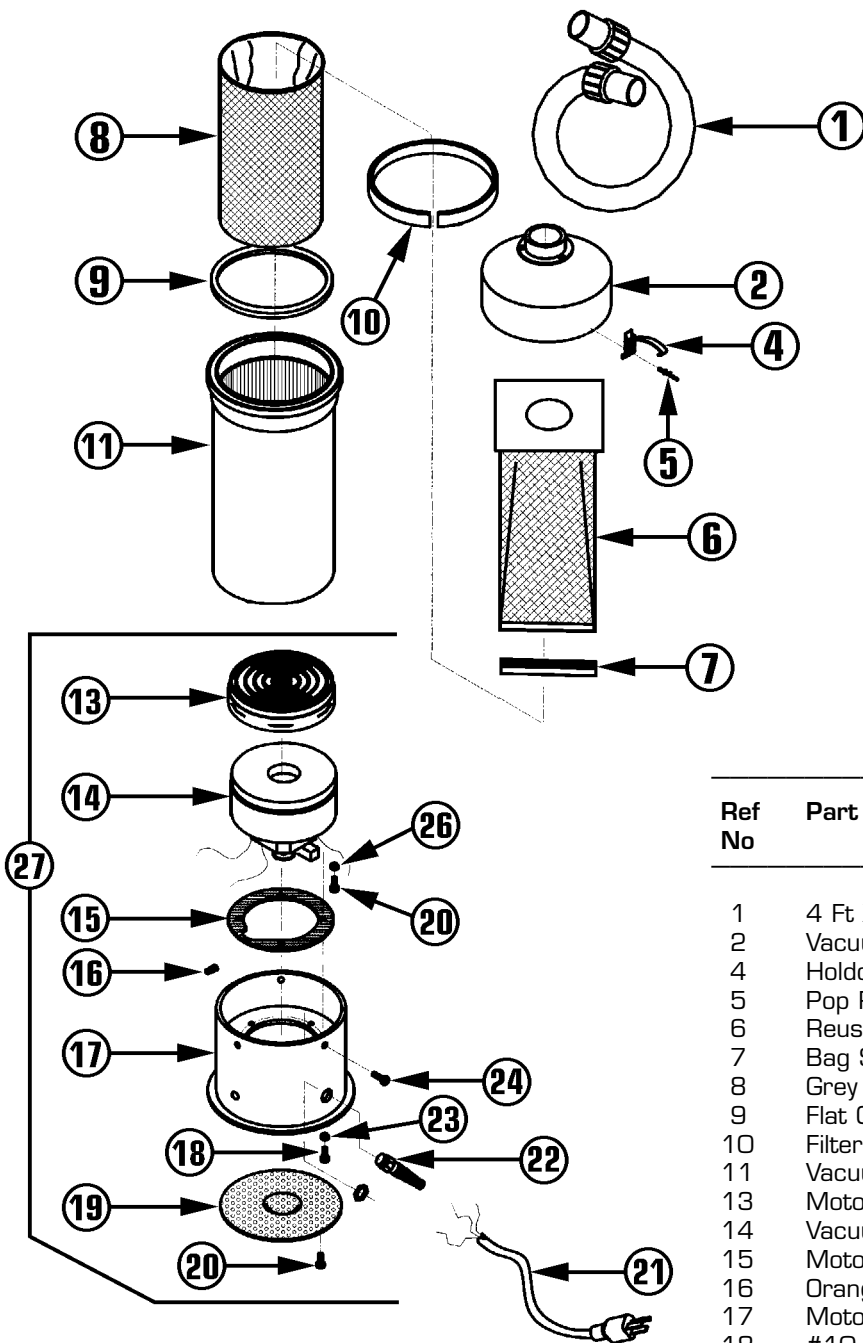
Ref No	Part Description	Qty	Part No
1	115V, 11/2 HP Motor	1	240559
2	Rivet	2	374768
3	Spacer	1	490873
4	Recess Plug	1	490865
5	Shoulder Bolt	2	491063
6	Bowl Handle	2	490385
7	1/4-20 X 5/8" Screw	4	457310
8	.38-16 X 1" Screw	4	368830
9	16" Outer Bowl Assembly	1	240214
10	13/4" External Snap Ring	1	491292
11	Brush Strip	1	491039

# INNER BOWL DRAWING & PARTS LIST



Ref No	Part Description	Qty	Part No	Ref No	Part Description	Qty	Part No
1	2 <sup>7</sup> / <sub>8</sub> Internal Snap Ring	1	490598	15	Accessory Pins	12	490458
2	Bearing (6009-2RS)	2	490563	16	.62-11 Nylock Nut	3	490628
3	Large Bearing Spacer	1	490571	17	Washer	3	490636
4	Outer Pulley Shaft	3	490547	18	Felt Gasket	3	491373
5	16" Inner Bowl	1	490407	19	Aluminum Ring	3	490652
6	Center Cog Pulley	1	494836	20	Tublar Rivet	12	394068
7	Shaft Spacer	3	490555	21	.25-20 x .5 Phillips Screw	9	331740
8	1 <sup>1</sup> / <sub>2</sub> Internal Snap Ring	3	490466	22	#14, .43"OD Lockwasher	9	491012
9	Ball Bearing w/Seals	6	464910	23	Aluminum Cover Plate	1	490644
10	Small Bearing Spacer	3	490474	24	Belt (210-L050)	3	494089
11	Flange	1	490989	25	48 High Tooth Pulley	1	490512
12	Low Profile Bolt	1	490997	26	48 Middle Tooth Pulley	1	490490
13	3" ID x 6" OD Ring	3	222828	27	48 Low Tooth Pulley	1	490415
14	#10-32 x .5 Phillips Screw	9	377201				

# VACUUM ASSEMBLY DRAWING & PARTS LIST



Ref No	Part Description	Qty	Part No
1	4 Ft X 1 1/2" Vacuum Hose Assy.	1	241539
2	Vacuum Cover	1	446459
4	Holdown Clamp	2	447226
5	Pop Rivet	4	214639
6	Reusable Cloth Filter Bag	1	445738
7	Bag Slide Clamp	1	444251
8	Grey Cloth Filter Bag w/Elastic	1	449962
9	Flat Gasket	1	498742
10	Filter Retainer Ring	1	240419
11	Vacuum Body w/Holdown Ring	1	240338A
13	Motor Guard	1	422398
14	Vacuum Motor	1	471666A
15	Motor Gasket	2	457752
16	Orange Wire Nut	2	398985
17	Motor Housing	1	240303
18	#10-32 X .65 Screw	4	368385
19	6.25 OD Screen	1	445878
20	#10-32 X .31 Screw	3	368385
21	16/3 Line Cord	1	424463
22	Strain Relief	1	443379
23	Washer	4	369519
24	#1/4- 20 X 1/2" Screw	3	331740
26	#12 Internal Tooth Lockwasher	1	239291
27	Vacuum Motor Base Assembly	1	446947

# TROUBLE SHOOTING GUIDE

## **PROBLEM: Motor won't run.**

### **POSSIBLE CAUSE**

- 1) Defective switch.
- 2) Defective power cord or wiring.
- 3) Defective motor.
- 4) Blown fuse or tripped circuit breaker at wall panel.
- 5) Power cord not plugged in properly or damaged.

### **POSSIBLE SOLUTION**

- 1) Check switch, replace if defective.
- 2) Check and replace if defective.
- 3) Have motor checked by an authorized service center.
- 4) Replace fuse or reset circuit breaker. If this does not correct the problem, have the sander checked by an authorized service center.
- 5) Plug in power cord properly or replace power cord if damaged.

## **PROBLEM: Machine bogs down and runs slow.**

### **POSSIBLE CAUSE**

- 1) Defective capacitor or switch.
- 2) Circuit may be overloaded with more than one appliance.
- 3) Low line voltage in building.

### **POSSIBLE SOLUTION**

- 1) Have machine checked by an authorized service center.
- 2) Plug floor machine into a dedicated power outlet. If the problem still exists there could be a short. Have the sander checked by an authorized service center.
- 3) If wiring is old in the building have voltage checked by the power company.

## **PROBLEM: Motor runs, driver won't rotate.**

### **POSSIBLE CAUSE**

- 1) Belts are broken.

### **POSSIBLE SOLUTION**

- 1) Contact the manufacturer or authorized service center.

## **PROBLEM: Noisy machine or vibrates.**

### **POSSIBLE CAUSE**

- 1) Defective motor.
- 2) Pads are not level or securely attached.

### **POSSIBLE SOLUTION**

- 1) Contact the manufacturer or authorized service center.
- 2) Level the pads and make sure all fasteners are secure.

# SANDER WARRANTY

This machine is warrantied against defects in material and workmanship for 1 year, except for normal wear items listed below, from the date of delivery to the original purchaser. The warranty period is subject to the conditions below:

### **Normal Wear Item**

### **Warranted Up to 90 Days:**

Normal wear items will be warrantied from manufacturing defects from date of purchase including but not limited to the following items:

Accessories; Attachments; Belts; Bearings; Casters; Electric Cords; Finishes; Filters; Pad Holder; Switches; and the like.

### **Warranty is NULL and VOID for the following:**

1) If the machine is used for a purpose other than wood floor sanding. If the machine is used to sand concrete (e.g., garage or basement floors) or to sand exterior wood surfaces (e.g., wood decks).

2) Damage, defects, malfunctions or other failures caused by not using the electric current indicated on the spec plate.

3) Damage or defect caused by accident; misuse; neglect; abuse; fire; etc.

4) Failure due to lack of proper maintenance and care (including cleaning).

5) Any unauthorized design alterations, adjustments and/or repairs performed on this machine.

6) Use of parts not approved by the machines manufacturer will void all warranties.

7) Damage in transit.

### **Stated Warranties:**

This Warranty is in lieu of and excludes all other warranties expressed or implied. Any statutory implied warranties, including warranty of merchantability or fitness for a particular purpose, are expressly excluded. We will not be liable for any other damage including but not limited to indirect or

special consequential damages arising out of or in connection with the furnishing, performance, use or inability to use the machine. This remedy shall be the exclusive remedy of the buyer. The warranty is limited to the warranty.

### **Warranty Claim Procedure:**

If a difficulty develops, contact the Parts and Service Center at (800) 635-3286 and refer to the serial number which appears on the bowl assembly. When returning the machine or components for repair it must be properly packed and shipped freight pre-paid.

### **Registration of Warranty:**

The warranty commences on the date of purchase to the original purchaser, subject to proof of purchase. The warranty registration card (attached to the handle) must be filled out and returned at the time of purchase to:

**Parts and Service Center**  
777 South Street  
Newburgh, NY 12550