

SAFETY, OPERATION & MAINTENANCE MANUAL



DYN-812D & DYN-1012D DYNAVAC CONCRETE VACUUMS

This unit is intended for commercial use.

READ & FOLLOW ALL INSTRUCTIONS, WARNINGS & CAUTIONS

PLEASE READ CAREFULLY BEFORE OPERATING

This vacuum will afford you many years of trouble-free operating satisfaction, provided it is given proper care. All parts have passed rigid quality control standards prior to their being assembled to produce the finished product. Prior to packaging, your vacuum was again inspected for assurance of flawless assembly.

This vacuum is protectively packed to prevent damage in shipment. We recommend that upon delivery, unpack the vacuum and inspect it for any possible damage. Only a visual examination will reveal damage that may have occurred.

If damage is discovered, immediately notify the transportation company that delivered your vacuum. As a shipper, we are unable to report any claim for damage. You must originate any claim within 5 days.

This manual is for your protection and information. **PLEASE READ CAREFULLY** since failure to follow precautions could result in discomfort or injury. Read this manual completely before operating this vacuum. It is important to follow the instructions in the manual to prevent the possibility of injury or damage to the user and/or vacuum.

Treat your vacuum cleaner as you would any other high grade precision made product. Dropping, unreasonable bumping across thresholds and other misuses may result in a damaged unit that will not be covered by warranty.

SAVE THESE INSTRUCTIONS

Address: 777 South Street, P.O. Box 2310, Newburgh, New York 12550-0606
TEL: 877.356.6703 / 845.565.6623 / FAX: 845.565.8894
Internet Address: www.onfloor.com / info@onfloor.com

IMPORTANT SAFETY INSTRUCTIONS

WARNING:

**To Reduce the Risk of Fire, Electric Shock or Injury:
Electric shock could occur if used on wet surfaces.
DO NOT expose to rain. Store indoors.**

**When using this vacuum basic precautions should always
be followed, including the following:**

- 1) **DO NOT** leave the vacuum when plugged in. Unplug from the outlet when not in use and before servicing.
- 2) To avoid electric shock, **DO NOT** expose to rain. Store indoors. **DO NOT** use on wet surfaces.
- 3) This is **NOT** a toy. Close attention is necessary when used around or near children.
- 4) Use only as described in this safety manual. Use only manufacturer's recommended attachments and accessories.
- 5) **DO NOT** use this vacuum with a damaged cord or plug. If the vacuum is not working as it should, because it has been dropped, damaged, left outdoors or dropped into water, contact an authorized service center or factory.
- 6) **DO NOT** unplug the vacuum by pulling on the cord. To unplug, grasp the plug, not the cord.
- 7) **DO NOT** pull or carry by the cord, use cord as a handle, close a door on cord, or pull cord around sharp edges and corners. **DO NOT** run vacuum over cord. Keep cord away from heated surfaces.
- 8) **DO NOT** handle the vacuum's plug with wet hands.
- 9) Keep hair, loose clothing, fingers, and all parts of the body away from openings and moving parts.
- 10) Use extra care when cleaning on stairs.
- 11) **DO NOT** put any objects into the openings. **DO NOT** use with any opening blocked; keep free of dust, lint, hair and anything that may reduce air flow.
- 12) **DO NOT** pick up anything that is burning or smoking, such as cigarettes, matches, or hot ashes.
- 13) **DO NOT** use without the cloth filter assembly in place.
- 14) **DO NOT** use the vacuum to pick up flammable or combustible liquids such as gasoline or use in areas where they may be present.
- 15) **DO NOT** use where anesthetics and oxygen are used.
- 16) Turn **OFF** all the controls before unplugging
- 17) **DO NOT** use an extension cord unless absolutely necessary. If an extension cord is used, then wire size must be #14 or larger and should not exceed 50 feet in length. The extension cord must be a three-wire type to insure grounding protection.
- 18) Replace damaged or worn parts immediately with genuine original equipment parts to maintain safety and to protect your limited warranty.

This vacuum must be connected to a properly grounded outlet only. (See grounded instructions) When not in use the power cord should be wrapped around the motor head for storage.

SAVE THESE INSTRUCTIONS

GROUNDING INSTRUCTIONS



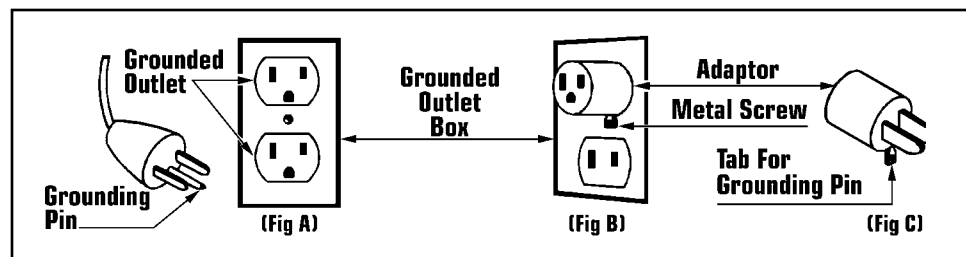
DANGER:

Improper use of the grounding plug can result in a risk of electric shock.

Electrical equipment must be grounded. If it should malfunction or breakdown, grounding provides a path of least resistance for electrical current to reduce the risk of electric shock. This vacuum is equipped with a cord having an equipment-grounding conductor and grounding plug. The plug must be inserted into an appropriate outlet that is properly installed and grounded in accordance with all local codes and ordinances.

If repair or replacement of the cord or plug is necessary, **DO NOT** connect the grounded wire to either flat blade terminal. The wire with insulation having an outer surface that is green with or without yellow stripes is the grounding wire.

GROUNDING METHOD



This electric equipment is for use on a nominal 120 volt circuit, and has a grounded plug that looks like the plug illustrated in (Fig A). A temporary adaptor that looks like the adaptor illustrated in (Fig B & C) may be used to connect this plug to a 2-pole receptacle as shown in (Fig B) if a properly grounded outlet is not available.

The temporary adaptor should be used only until a properly grounded outlet (Fig A) can be installed by a qualified electrician. The green color rigid ear, lug or the like extending from the adaptor must be connected to a permanent ground such as a properly grounded outlet box cover. Whenever the adaptor is used, it must be held in place by a metal screw. (Fig C)



WARNING:

Improper connection of the equipment-grounding conductor can result in a risk of electric shock. Check with a qualified electrician or service person if you are in doubt as to whether the outlet is properly grounded.

DO NOT modify the plug provided with the equipment. If it will not fit the outlet, have a proper outlet installed by a qualified electrician.

Note: In Canada, the use of a temporary adaptor is not permitted by the Canadian Electrical Code.

INTENDED USE OF THIS VACUUM

This vacuum has been specifically designed to clean up concrete dust. Special filters reduce the incidence of airborne dust that would be created by other methods of cleaning.

DO NOT at any time attempt to substitute, remove, bypass filters in the vacuum.

When installing a new filter use only the manufacturer's approved vacuum filter.

Before attempting to use or before cleaning with this vacuum, be sure that you fully understand the instructions for installing or cleaning the filter.

DO NOT use this unit until the owner's manual has been read. Improper use could cause damage to the vacuum or special filters employed.

ASSEMBLY INSTRUCTIONS

1) Remove vacuum, casters and attachments from the shipping carton and set aside.

2) Carefully remove the hose cage, motor head, and filter assembly. Set aside.

3) Turn the tank upside down. Insert casters into caster mounts and press down to lock in place. Return tank to the upright position.

4) Replace filter assembly, motor head and hose cage.

CAUTION:

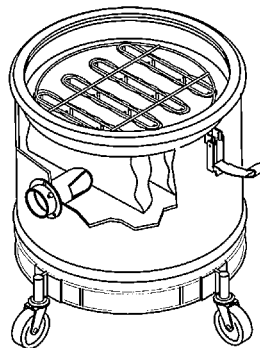
To insure a snug fit, make sure that the area around the lid and top edge of the filter assembly's vinyl sealing gasket is free of dirt and other foreign matter.

FILTER INSTALLATION

Cloth Filter Installation:

The filter assembly in this vacuum **MUST** be correctly installed to avoid damaging the cloth filter and to make sure the vacuum will maintain its efficiency.

1) When installing the cloth filter assembly, the flat side of the cloth must sit in the tank as shown above so it does not interfere with the tank inlet.



Cloth Filter Maintenance:

In order to maintain maximum efficiency of the vacuum cleaner it is important to clean the cloth filter each time the tank is emptied.

1) Remove the wire filter frame from the cloth filter and set aside.

2) Shake off loose particles and brush exposed surface with a soft bristle brush or carefully vacuum off the particles.

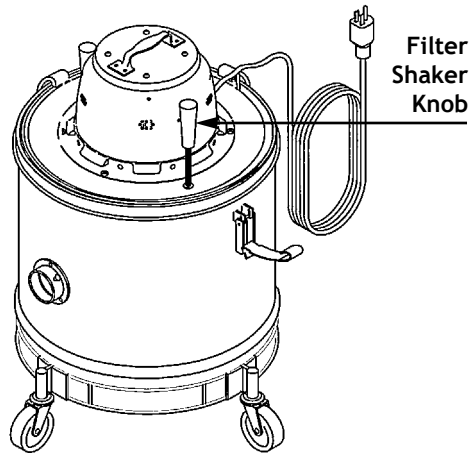
3) Reassemble the wire filter frame to the cloth filter and place filter assembly in tank as shown.

NOTE: DO NOT WASH the cloth filter, shrinkage to the cloth and damage to the gasket can occur.

CAUTION:

NEVER operate the vacuum cleaner without the filter assembly properly installed. Motor damage, loss of operating efficiency and re-circulation of material into the work area will take place.

OPERATION OF FILTER SHAKER

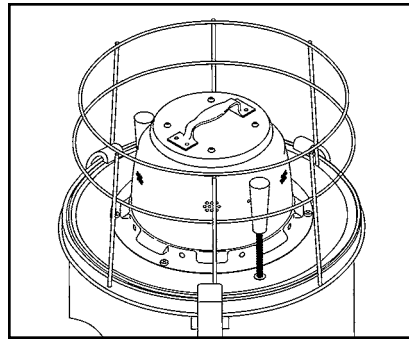


The filter shaker is designed to keep the cloth filter from clogging. When loss of suction occurs or every 30 minutes you need to use the filter shaker.

- 1) Turn OFF the vacuum.
- 2) Agitate the shaker by pushing down on top of the knobs 3 or 4 times. Extreme pressure is not required.

Note: After using the filter shaker if loss of suction still occurs, empty the vacuum tank.

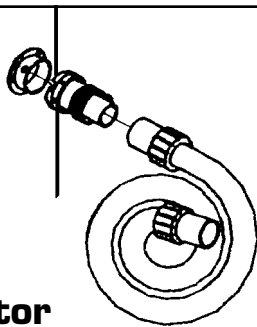
HOSE CAGE INSTALLATION



- 1) Position the hose cage on the motor head making sure the power cord is through the raised loop at the bottom of the cage.
- 2) Lift the holddown clamps up over the bottom wire of the hose cage and snap down the clamps.

HOSE & TOOL ASSEMBLY

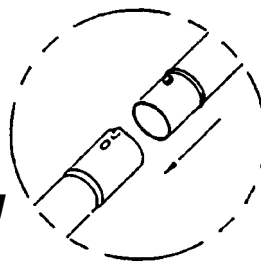
Hose & Swivel Connector



The hose and swivel connector are pre-assembled at the factory. To attach the swivel connector to intake fitting on the vacuum tank:

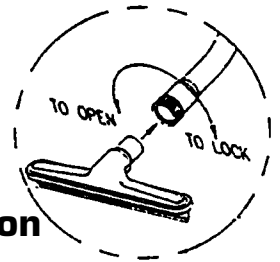
- 1) Line up the swivel connector slots with retaining rivets on the intake.
- 2) Insert swivel connector and twist clockwise until rivets reset against slot end.

Wand Assembly



- 1) Align the button lock of upper wand section with the opening for the button lock in the lower wand section and push sections together.
- 2) Slide free end of hose into the grooved end of upper wand.

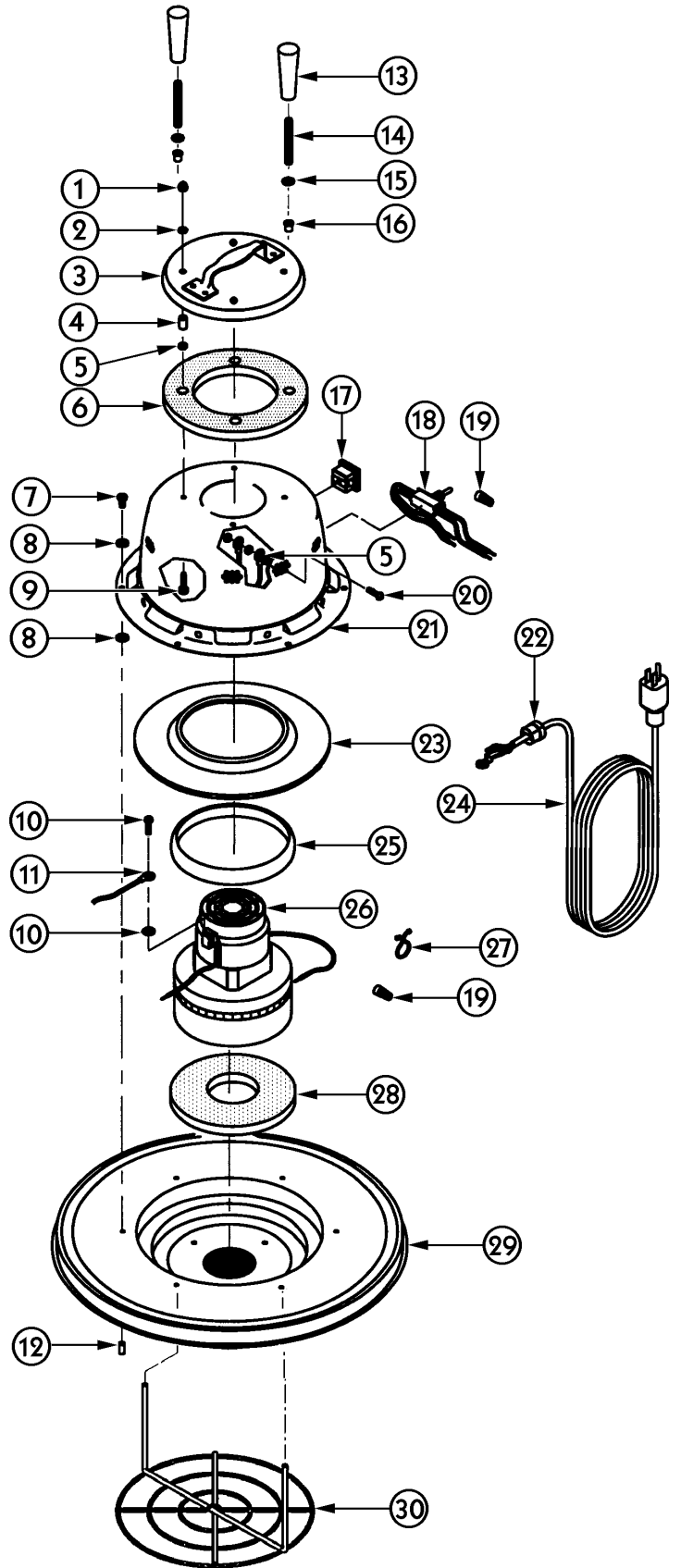
Tool Installation



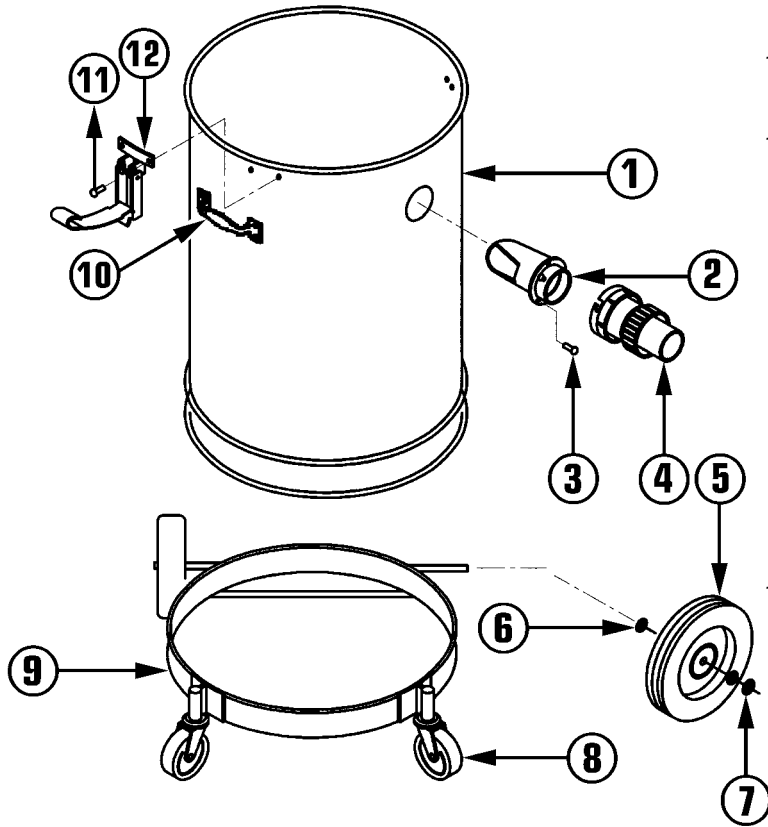
- 1) Turn wand nut counterclockwise approximately (4) complete turns. Insert the tool into wand nut and coupling.
- 2) While holding tool in place, turn nut clockwise until wand nut is fully locked.

MOTOR HEAD REPLACEMENT PARTS LIST

Ref No	Description	Qty	Part No
1	#10-24 Acorn Nut	4	359807
2	Steel Washer	8	322164
3	Dome Cover w/Handle	1	363057
4	Nylon Spacer	4	332186
5	#10-24 Hex Nut w/Lockwasher	7	331201
6	Foam Silencing Disc	1	359300
7	#12-14 X 1/2" Screw	6	314595
8	#12 Lockwasher	3	364037
9	#10-24 X 1" Screw	4	335169
10	#10-32 Screw	1	393258
11	Electrical Lead w/Terminals	1	307440
12	Screw Protector	6	341649
13	Tapered Handle	2	497231
14	3" Coiled Spring	2	459828
15	.25 Flat Washer	2	431214
16	Nylon Bushing	2	497258
17	Cap Plug	1	443344
18	Switch Assembly	1	324140
19	Yellow Wire Connector	2	350648
20	#10-24 X 3/4" Screw	1	337315
21	Dome Assembly	1	438014A
22	Strain Relief	1	434299
23	Motor Holddown	1	315737
24	30 Ft, 16/3 Power Cord	1	306819
25	Gasket	1	303011
26	115 Volt, 2 HP Motor	1	389684
27	Purse Lock	1	365483
28	Circle Gasket	1	378607
29	Cover Assembly	1	312207
30	Filter Shaker Frame	1	496472

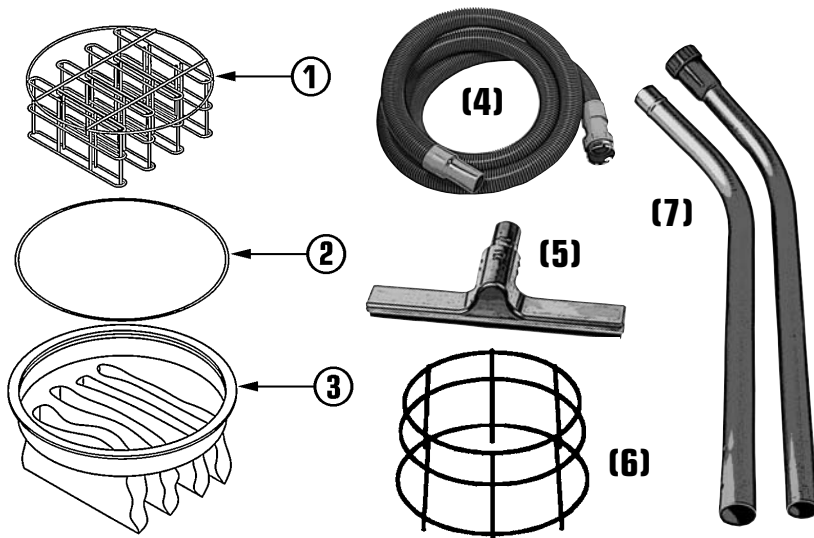


VACUUM TANK REPLACEMENT PARTS LIST



Ref No	Part Description	Qty	Part No
1A	8 Gal CRS Tank Assy (w/o Casters)	1	460028A
1B	10 Gal CRS Tank Assy (w/o Casters)	1	456055
2	Inlet Fitting	1	356298
3	.281" Steel Tubular Rivet	3	348511
4	1 1/2" Hose Connector	1	349445
5	1 3/4" X 8" Wheel	2	330396
6	1/2" Flat Washer	4	315435
7	1/2" Palnut	2	319619
8	2 1/2" Swivel Caster	2	307408
9A	14" Ring Dolly (8 Gallon Tank)	1	342971A
9B	14" Ring Dolly (10 Gallon Tank Only)	1	342971
10	Lift Handles (10 Gallon Tank Only)	2	484091
11	.187" Steel Tubular Rivet	6	348503
12	Holddown Clamps	3	358312

REPLACEMENT FILTERS AND TOOLS



Ref No	Part Description	Part No
1	Deep Wire Filter Frame	496235
2	14" Filter Ring	316415
3	14" Concrete Cloth Filter w/Gasket	459798
4	10 Ft Hose	344680
4A	Swivel Hose Connector	349445
5	14" Metal Floor Tool	456357
6	Hose Cage	313408
7	5 Ft, 2 Pc Metal Wand	429562

TROUBLE SHOOTING GUIDE

CAUTION:

Always disconnect power cord before servicing the vacuum.

PROBLEM: Loss of Vacuum.

POSSIBLE CAUSE:

1. Dry filter assembly clogged.
2. Clogged hose or wand.
3. Tank rim damaged.
4. Loose or broken fan.
5. Motor not working.
6. Gasket worn.

POSSIBLE SOLUTION:

1. Use the filter shaker or clean cloth filter (See page 4 - Cloth Filter Maintenance).
2. Remove obstruction.
3. Replace tank.
4. Contact manufacturer or service center.
5. Contact manufacturer or service center.
6. Replace gasket.

PROBLEM: Motor is not running.

POSSIBLE CAUSE:

1. Broken switch.
2. Power cord defective.
3. Motor defective.
4. Blown fuse or tripped circuit breaker at the wall panel.

POSSIBLE SOLUTION:

1. Contact manufacturer or service center.
2. Contact manufacturer or service center.
3. Contact manufacturer or service center.
4. Replace fuse or reset circuit breaker.

WARNING:

Repairs should only be performed by an authorized service center.

DYN-812D & 1012 WARRANTY & REGISTRATION

We warrantee to the original purchaser this vacuum cleaner against defects in material and workmanship for a period of 1 year, motor and steel tank 2 years from the date of delivery. Please note the following conditions pertaining to this warranty.

- 1) Applies only to the original owner and is not transferable.
- 2) Machine will not have been dismantled or tampered with in any way.
- 3) Normal wear items will be warranted from manufacturing defects for up to 90 days from date of purchase including the following items, but not limited to:

Accessories; Belts; Bearings; Capacitors; Carbon Brushes; Casters; Electric Cords; Finishes; Filters; Floats; Switches; and the like.

4) This warranty does not apply to any repair arising by reason of misuse, neglect, abuse, or to proprietary parts.

5) This warranty is in lieu of and excludes every condition or warranty not herein expressly set out and all liability for any form of consequential loss or damage is hereby expressly excluded.

6) This Warranty is limited to repair or replacement of covered components and reasonable labor expenses.

Warranty Registration:

It is purchaser's responsibility to fill out the warranty card included in the manual package and mail it to Onfloor. This will register your purchase and start your warranty. Failure to send us this card in one week upon receipt of the machine may void the warranty.

