
**READ & FOLLOW
ALL INSTRUCTIONS,
WARNINGS &
CAUTIONS BEFORE
USING THIS VACUUM**

**SAFETY,
OPERATION &
MAINTENANCE
MANUAL**



**AQUARINSE™
VACUUM
SYSTEM**

This unit is intended for commercial use.

This vacuum cleaner will afford you many years of trouble-free operating satisfaction, provided it is given proper care. All parts have passed rigid quality control standards prior to being assembled to produce the finished product. Prior to packaging, the vacuum was again inspected for assurance of flawless assembly.

Your vacuum is protectively packed to prevent damage in shipment. We recommend that upon delivery, unpack the vacuum and inspect it for any possible

damage. Only a visual examination will reveal damage that may have occurred. If damage is discovered, immediately notify the transportation company that delivered your vacuum. As a shipper, we are unable to report claims for concealed damage. You must originate any claims within 5 days of delivery.

This manual is for your protection and information. **PLEASE READ CAREFULLY** since failure to follow precautions could result in discomfort or injury.

**READ ALL
INSTRUCTIONS
BEFORE USING**

SAVE THESE INSTRUCTIONS

IMPORTANT SAFETY INSTRUCTIONS

WARNING

**To Reduce the Risk of Fire, Electric Shock or Injury:
To avoid electric shock**

**DO NOT expose to rain - Store Indoors
Electric shock could occur if power nozzle is
used on wet surfaces.**

When using this electric vacuum, basic precautions should always be followed, including the following:

- 1] **DO NOT** leave the vacuum when plugged in. Unplug it from the outlet when not in use and before servicing.
 - 2] This is **NOT** a toy. Close attention is necessary when used around or near children.
 - 3] Use only as described in this safety manual. Use only manufacturer's recommended attachments and accessories.
 - 4] **DO NOT** use the vacuum with damaged cord or plug. If the vacuum is not working as it should, because it has been dropped, damaged, left outdoors or dropped into water, contact an authorized service center or factory.
 - 5] **DO NOT** pull the vacuum by the cord, use cord as a handle, close a door on the cord or pull cord around sharp edges and corners. **DO NOT** run vacuum over the cord. Keep the cord away from heated surfaces.
 - 6] **DO NOT** unplug the vacuum by pulling on the cord. To unplug, grasp the plug, not the cord.
 - 7] **DO NOT** handle the vacuum plug or vacuum with wet hands.
 - 8] **DO NOT** put any objects into openings. **DO NOT** use with any openings blocked; keep free of dust, lint, hair, and anything that may reduce air flow.
 - 9] Keep hair, loose clothing, fingers, and all parts of body away from openings and moving parts.
 - 10] **DO NOT** pick up anything that is smoking or burning such as cigarettes, matches, or hot ashes.
 - 11] **DO NOT** use without wet adaptor in place
 - 12] Turn **OFF** all controls before unplugging.
 - 13] Use extra care when cleaning on stairs.
 - 14] **DO NOT** use this vacuum to pick up flammable or combustible liquids such as gasoline or use in areas where they may be present.
 - 15] **DO NOT** use where anesthetics or oxygen are used.
 - 16] Replace damaged or worn parts immediately with genuine original equipment parts to maintain safety and protect your limited warranty.
 - 17] **DO NOT** use an extension cord unless absolutely necessary. If an extension cord is used, then wire size must be #14 gauge or larger and should not exceed 50 feet in length. The extension cord must be three-wire type to insure **GROUNDING** protection.
- This vacuum must be connected to a properly grounded outlet only. See grounding instructions (Page 3). This vacuum has an outlet for the ring tank pump, always turn it **OFF** the vacuum before connecting or disconnecting the pump.

DANGER

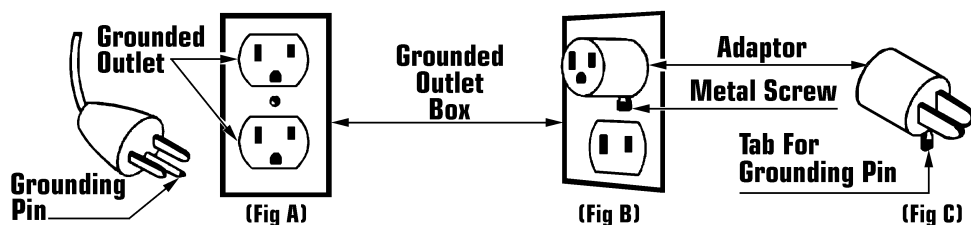
Improper use of the grounding plug can result in a risk of electric shock.

Electrical equipment must be grounded. If it should malfunction or breakdown, grounding provides a path of least resistance for electrical current to reduce the risk of electric shock. This vacuum is equipped with a cord having an equipment-grounding conductor and grounding plug. The plug must be inserted into an appropriate outlet that is properly

installed and grounded in accordance with all local codes and ordinances.

If repair or replacement of the cord or plug is necessary, **DO NOT** connect the grounded wire to either flat blade terminal. The wire with insulation having an outer surface that is green with or without yellow stripes is the grounding wire.

GROUNDING INSTRUCTIONS



This electric equipment is for use on a nominal 120 volt circuit, and has a grounded plug that looks like the plug illustrated in (Fig A). A temporary adaptor that looks like the adaptor illustrated in (Fig B & C) may be used to connect this plug to a 2-pole receptacle as shown in (Fig B) if a properly grounded outlet is not available.

The temporary adaptor should be used only until a properly grounded outlet (Fig A) can be installed by a qualified electrician. The green color rigid ear, lug or the like extending from the adaptor must be connected to a permanent ground such as a properly grounded outlet box cover. Whenever the adaptor is used, it must be held in place by a metal screw (Fig3).

GROUNDING METHODS

WARNING:

Improper connection of the equipment-grounding conductor can result in a risk of electric shock. Check with a qualified electrician or service person if you are in doubt as to whether the outlet is properly grounded.

DO NOT modify the plug provided with the equipment. If it will not fit the outlet, have a proper outlet installed by a qualified electrician.

Note: In Canada, the use of a temporary adaptor is not permitted by the Canadian Electrical Code.

Treat this vacuum as you would any other high grade precision made product. Dropping, unreasonable bumping across thresholds and other misuses may result in a damaged unit which will not be covered by warranty.

When not in use, power cord should be wrapped around the motor head for storage.

Read this manual completely before operating the vacuum. It is important to follow instructions in this manual to prevent the possibility of injury or damage to the user and/or vacuum.

CARE OF VACUUM

LIRE TOUTES LES INSTRUCTIONS AVANT DE FAIRE FONCTIONNER (CET APPAREIL)

AVERTISSEMENT:

Pour réduire les risques d'incendie, de choc électrique ou de blessure:

POUR APPAREIL SEC

Pour réduire les risques de choc électrique, ne pas aspirer de matières humides, ne pas exposer à la pluie et garder l'aspirateur à l'intérieur.

POUR APPAREIL HUMIDE

Pour réduire les risques de choc électrique, ne pas exposer à la pluie et garder l'aspirateur à l'intérieur.

L'utilisation d'un appareil électrique demande certaines précautions:

1] Ne pas laisser l'appareil sans surveillance lorsqu'il est branché. Débrancher lorsque l'appareil n'est pas utilisé et avant l'entretien.

2] Ne pas permettre aux enfants de jouer avec l'appareil. Une attention particulière est nécessaire lorsque l'appareil est utilisé par des enfants ou à proximité de ces derniers.

3] N'utiliser que conformément à cette notice avec les accessoires recommandés par le fabricant.

4] Ne pas utiliser si le cordon ou la fiche est endommagé. Retourner l'appareil à un atelier de réparation s'il ne fonctionne pas bien, s'il est tombé ou s'il a été endommagé, oublié à l'extérieur ou immergé.

5] Ne pas débrancher en tirant sur le cordon. Tirer plutôt la fiche.

6] Ne pas toucher la fiche ou l'appareil lorsque vos mains sont humides.

7] Ne pas tirer, soulever ou traîner l'appareil par le cordon. Ne pas utiliser le cordon comme une poignée, le coincer dans l'embrasure d'une porte ou l'appuyer contre des arêtes vives ou des coins. Ne pas faire rouler l'appareil sur le cordon. Garder le cordon à l'écart des surfaces chaudes.

8] N'insérer aucun objet dans les ouvertures. Ne pas utiliser l'appareil lorsqu'une ouverture est bloquée. S'assurer que de la poussière, de la peluche, des cheveux ou d'autres matières ne réduisent pas le débit d'air.

9] Maintenir les cheveux, les vêtements amples, les doigts et toutes les parties du corps à l'écart des ouvertures et des pièces mobiles.

10] Ne pas utiliser l'appareil si le sac à poussière ou le filtre n'est pas en place.

11] Ne pas aspirer de matières en combustion ou qui dégagent de la fumée, comme des cigarettes, des allumettes ou des cendres chaudes.

12] Mettre toutes les commandes à la position **ARRET** avant de débrancher l'appareil.

13] User de prudence lors du nettoyage des escaliers.

14. Ne pas aspirer des liquides inflammables ou combustibles, comme de l'essence, et ne pas faire fonctionner dans des endroits où peuvent se trouver de tels liquides.

15. Toujours mettre l'interrupteur de l'appareil à la position **ARRET** avant de brancher ou de débrancher la brosse à moteur.

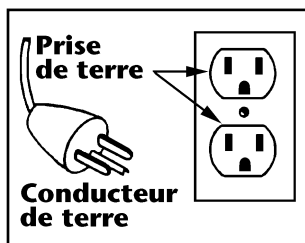
16. Ne brancher qu'à une prise de courant avec mise à la terre. Voir les instructions visant la mise à la terre.

INSTRUCTIONS VISANT LA MISE À LA TERRE

Cet appareil doit être mis à la terre. En cas de défaillance ou de panne éventuelles, la mise à la terre fournit au courant un chemin de moindre résistance qui réduit le risque de choc électrique. Cet appareil est pourvu d'un cordon muni d'un conducteur de terre et d'une fiche avec broche de terre. La fiche doit être branchée dans une prise appropriée correctement installée et mise à la terre conformément aux règlements et ordonnances municipaux.

Cet appareil est destiné à un circuit de 120V et est muni d'une fiche de mise à la terre semblable à celle illustrée par le croquis A de la figure "A". S'assurer que

l'appareil est branché à une prise de courant ayant la même configuration que la fiche. Aucun adaptateur ne devrait être utilisé avec cet appareil.



AVERTISSEMENT

Un conducteur de terre mal raccordé peut entraîner un risque de choc électrique. Consulter un électricien ou un technicien d'entretien qualifié si vous n'êtes pas certain que la prise soit correctement mise à la terre. Ne pas modifier la fiche fournie avec l'appareil-si elle ne peut être insérée dans la prise, faire installer une prise adéquate par un électricien qualifié.

CONSERVER CES INSTRUCTIONS

AQUARINSE™

VACUUM SYSTEM FEATURES

The AquaRinse™ is a unique vacuum system designed for special applications requiring both solution pressure spraying and concurrent liquid recovery.

This vacuum system is perfect for use in marble/stone restoration, extraction, spill cleanup, and for rinsing and vacuuming applications.

Features:

t Motor Head

P42015SAPPR - 120V 2¹/₄ HP - 2 Stage, By-pass Motor; 110" waterlift 115 CFM w/cast aluminum dome.

P42035SAPPR - 120V 2 HP - 3 Stage, By-Pass Motor; 135" waterlift - 92 CFM Steel dome, powder coated to resist rust.

t Heavy-duty Clamps (3)

Chrome plated spring steel, extra wide to ensure a positive vacuum seal.

t Automatic Water Shut-Off

Prevents overflowing of liquids and protects motor from water damage.

t Poly Vacuum Tank

20 gallon recovery, rotationally molded of 1/4" thick high-impact plastic. Won't rust or dent and resists chemical attack.

t Two-8" Heavy-Duty Rear Wheels

Mounted on 1/2" dia. solid steel axle.

t Two-3" Front Casters

Ball bearing 360° swivel for excellent mobility.

t Gate Valve with Hose Fitting

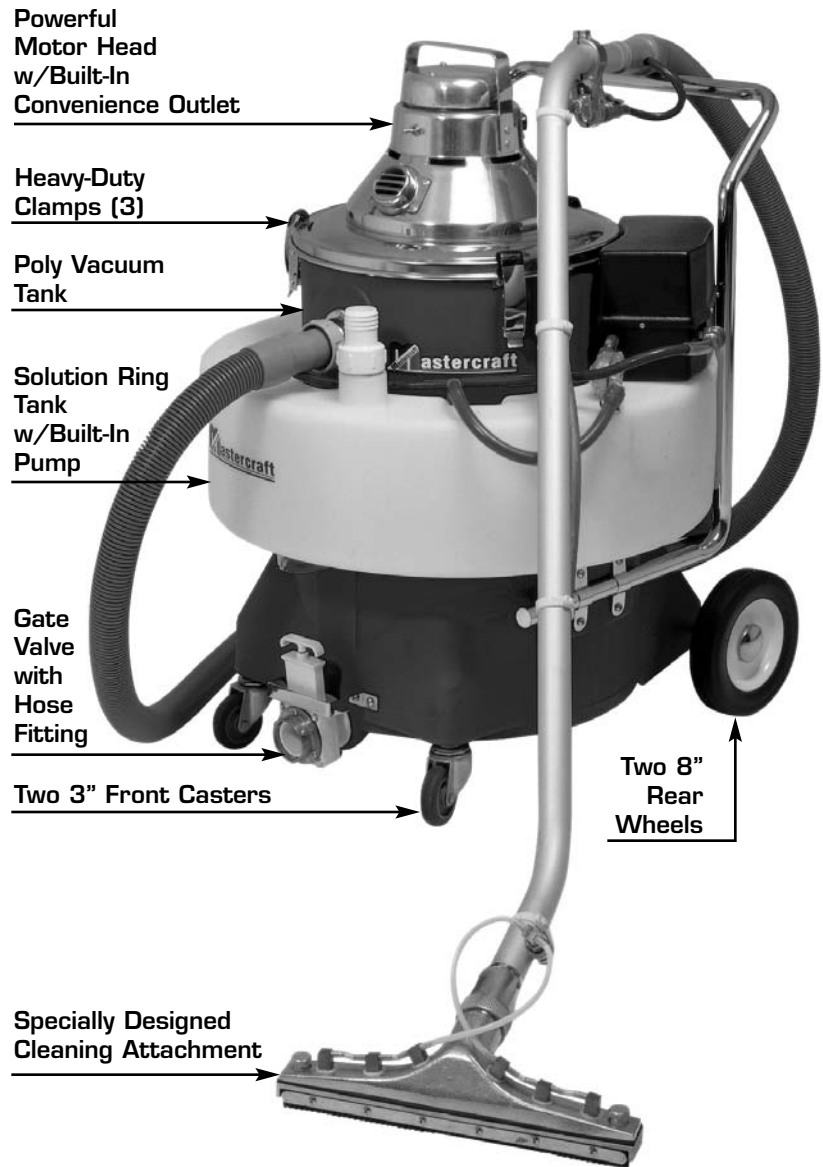
Designed for quick evacuation of liquids directly from tank or using a vacuum hose

t Solution Ring Tank w/Built-In Pump

10 gallon, rotationally molded of high impact plastic w/100 PSI pump for continuous rinsing of the floor, while picking up slurry. Eliminates the need for a bucket and wringer.

t Cleaning Attachment

Specially designed with 15 Ft hose-in-hose, 5 Ft aluminum wand, 14" squeegee w/6 spray nozzle. Solution is sprayed on surfaces, contained and vacuumed up in one pass.



ASSEMBLY INSTRUCTIONS

WARNING

**Electric shock could occur if used on wet surfaces
DO NOT expose to rain - Store Indoors**

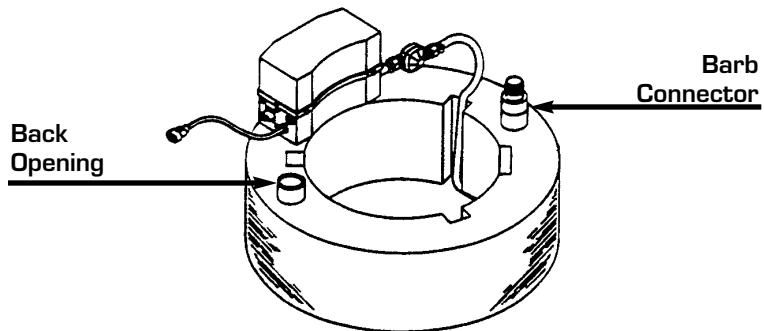
The Aqua Rinse™ is equipped with a by-pass motor and designed for wet pick-up. To use the unit:

- 1] Disengage the three (3) clamps that hold the motor head on the tank and set aside.
- 2] Remove wet adaptor, blue hose-in-hose, squeegee/spray nozzle and white vacuum hose packed inside the tank. Unpack the wand in separate carton.
- 3] Set wet adaptor on the tank, replace motor head and snap down clamps.
- 4] Install blue hose-in-hose vacuum hose to the intake fitting on vacuum tank and wand.



- A] Line up slots in the swivel connector with retaining rivets on the intake.
- B] Insert swivel connector and twist until rivets reset against slot end.
- C. Push free end of hose onto grooved end of upper wand.
- 6] Connect wand to squeegee tool by turning wand nut counterclockwise approximately (4) turns. Inset the tool into wand coupling, hold tool in place and turn nut clockwise until fully locked.
- 7] Connect one end of hose-in-hose solution hose to quick disconnect coupling on the trigger and other end on the disconnect coupling on the squeegee/spray attachment.
- 8] Check to make sure the ring tank pump is plugged into the convenience outlet on the motor head.
- 9] Connect power cord from pump to convenience outlet on the vacuum motor head.
- 10] Turn **ON** pump.

FILLING & REMOVAL OF LIQUID FROM TANKS



To Fill Ring Tank

- 1] Fill bucket with clean water.
- 2] Disconnect the blue hose-in-hose from the wand. Slide the hose end into the opening on back of the ring tank.
- 3] Using the white vacuum hose, put one end into a bucket of water and place other end on the barb connector in front of ring tank. Turn **ON** vacuum. The vacuum suction will fill the tank.

To Empty Ring Tank

- 1] Disconnect the blue hose-in-hose from the wand and hold hose end on barb connector on the front of the ring tank.
- 2] Turn on the vacuum and let the suction drain the tank into the blue vacuum tank.

To Drain Vacuum Tank

- 1] Center the drain valve over a drain in the floor.
- 2] Pull up on the gate valve handle to empty the tank.
- 3] After the tank is drained, and before closing the drain valve make sure that there are no obstructions that will prevent the valve from closing.

Note: The white vacuum hose can also be installed on the drain valve connector when draining the tank. This will enable you to control splashing and flow of liquid.

1] Position the AquaRinse™ in the area where you are doing the restoration.

2] After you finish (4) passes or (2) cycles, turn on the ring tank pump and vacuum.

3] Start cleaning by squeezing the floor tool trigger while slowly pulling the floor tool towards you, spraying solution and recovering slurry in the same operations.

4] Before completing each path, shut off solution supply and vacuum up the last of the liquid.

5] Repeat if necessary, making sure all the slurry is removed and the surface is clean.

CAUTION: DO NOT run the pump without solution, this can damage the pump.

OPERATING INSTRUCTIONS

Due to the design, construction and quality of materials, this vacuum system requires a minimum of maintenance. The following instructions are provided to increase the service life of the unit

NOTE: Disconnect the power cord from the outlet before doing any work on the AquaRinse™.

After Each Use:

1] Drain the ring tank after each use.

2]. Drain the vacuum tank and rinse with clean water.

3] Clean squeegee/spray nozzle.

After Repeated Use:

Vacuum Motor: Carbon brushes should be replaced after operating 750 hours or when the carbon brushes are worn down to $\frac{3}{8}$ " in length. Replace both carbon brushes at the same time

CAUTION: DO NOT leave water in tanks over night or store with water in tanks.

MAINTENANCE INSTRUCTIONS

TROUBLE SHOOTING GUIDE



Address:
777 South Street
P. O. Box 2310
Newburgh, NY 12550-0606

TEL:
(800) 835-7812
(845) 565-8850

FAX:
(800) 752-6883
(845) 565-9392

URL:
www.floorcare.com
E-mail:
mastercraft@floorcare.com

PROBLEM: Loss of Vacuum.

CAUSE:

- 1] Clogged hose or wand.
- 2] Tank rim damaged.
- 3] Loose or broken fan.
- 4] Motor not working.
- 5] Float not functioning.
- 7] Vacuum tank is full.
- 6] Motor head cover gasket worn.

SOLUTION:

- 1] Remove obstruction.
- 2] Replace tank.
- 3] Contact manufacturer or service center.
- 4] Contact manufacturer or service center.
- 5] Check to see if ball moves freely.
- 6] Drain dirty water out of tank.
- 8] Replace gasket.

PROBLEM: Motors is not running.

CAUSE:

- 1] Broken switch.
- 2] Power cord defective.
- 3] Motor defective.
- 4] Blown fuse or tripped circuit breaker at power source.

SOLUTION:

- 1] Contact manufacturer or service center
- 2] Contact manufacturer or service center.
- 3] Contact manufacturer or service center.
- 4] Replace fuse or reset circuit breaker.

PROBLEM: Water blowing from vac when running.

CAUSE:

- 1] Tank is full of liquid.
- 2] Foamy liquid is being picked up.
- 3] Float is stuck.

SOLUTION:

- 1] Empty tank.
- 2] Add defoamer to tank.
- 3] Check float.

PROBLEM: Streaking, uneven spray, or no spray.

CAUSE:

- 1] Spray jets clogged.
- 2] Dirty or plugged spray jets.
- 3] Worn spray jets.
- 4] Pressure hose filter plugged.
- 5] Faulty pump.
- 6] Ring tank empty.
- 8] Kink in hose.
- 9] Hose filter clogged.

SOLUTION:

- 1] Unclog jets.
- 2] Clean or replace spray jets.
- 3] Replace spray jets.
- 4] Clean or replace pressure hose filter.
- 5] Rebuild or replace pump.
- 6] Flush out and refill.
- 7] Straighten hose.
- 8] Clean filter.

WARNING:

Always disconnect power cable from electrical outlet when working on this vacuum.