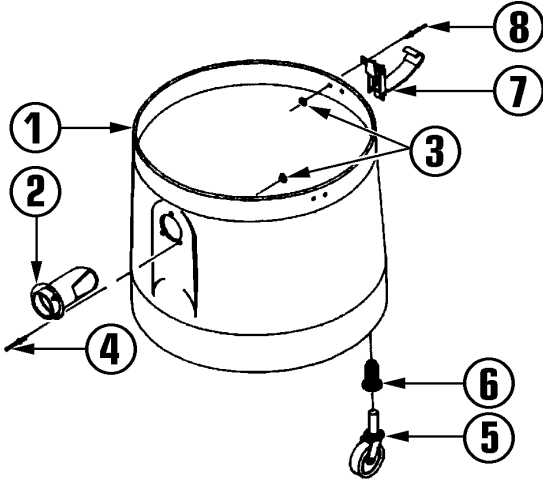


8, 15, & 20 GALLON POLY TANK REPLACEMENT PARTS LIST

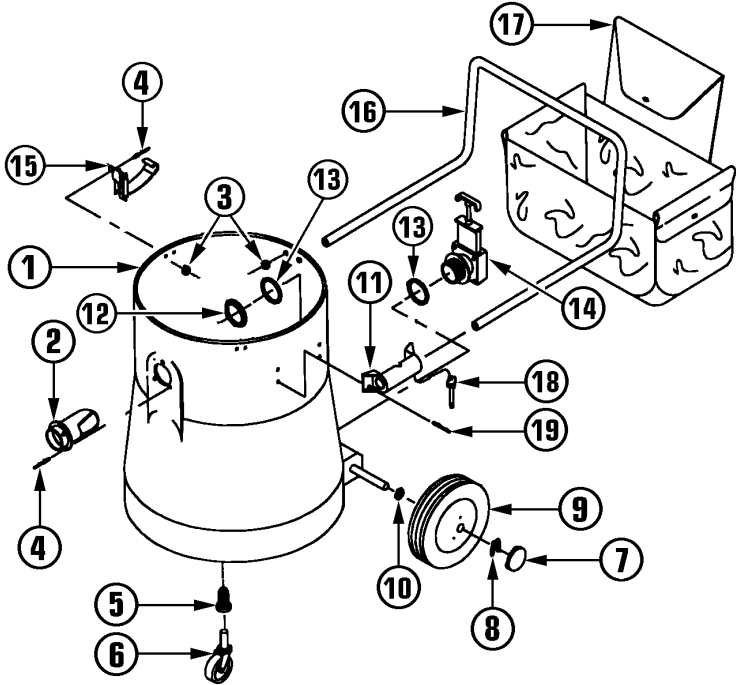
8 GALLON RECOVERY TANK

Ref No	Part Description	Qty	Part No
1	Poly Tank w/o Casters	1	372560
2	Inlet Fitting	1	325406
3	Steel Washer	9	303909
4	Pop Rivet	3	415472
5	2 1/2" Ball Bearing Casters	4	307408
6	Plastic Caster Socket	4	371750
7	Hold Down Clamp	3	358312
8	Pop Rivet	6	374733



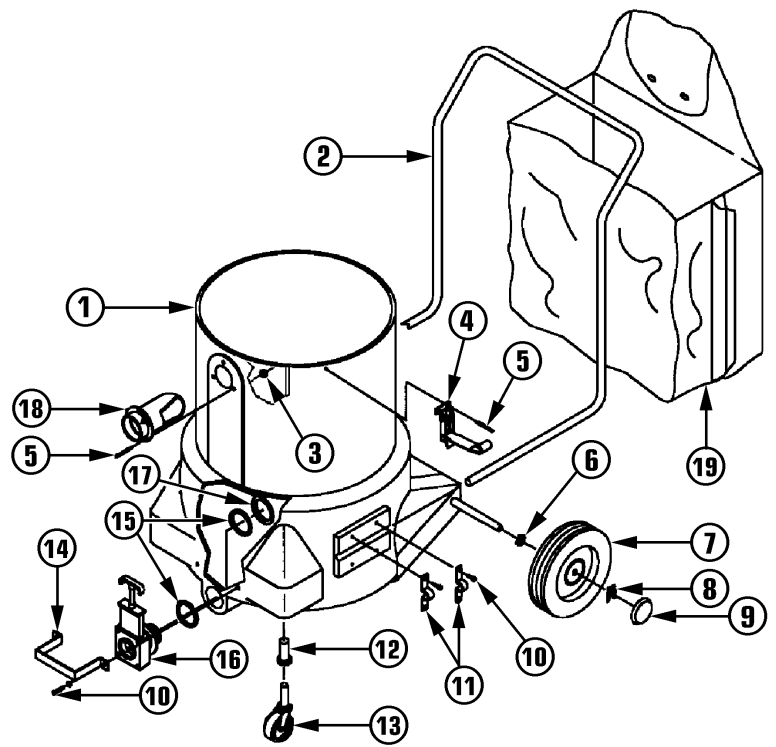
15 GALLON RECOVERY TANK

Ref No	Part Description	Qty	Part No
1	Poly Tank Assembly	1	375640
2	Inlet Fitting	1	325406
3	Steel Washer	3	303909
4	Pop Rivet	3	415472
5	Plastic Caster Sockets	2	371750
6	2 1/2" Ball Bearing Casters	2	307408
7	Hub Cap	2	319317
8	"X" Washer	2	368997
9	8" Wheel w/Hub	2	330396
10	Spring Washer	2	374059
11	Handle Bracket	2	376949
12	Large Nut	1	306789
13	Gate Valve Gasket	2	307602
14	Gate Valve	1	319260
15	Hold Down Clamps	3	358312
16	Chrome Push Handle	1	376906
17	Tool Caddy	1	319198
18	Speed Pin & Ring Assy	2	385182
19	Pop Rivet	14	374733

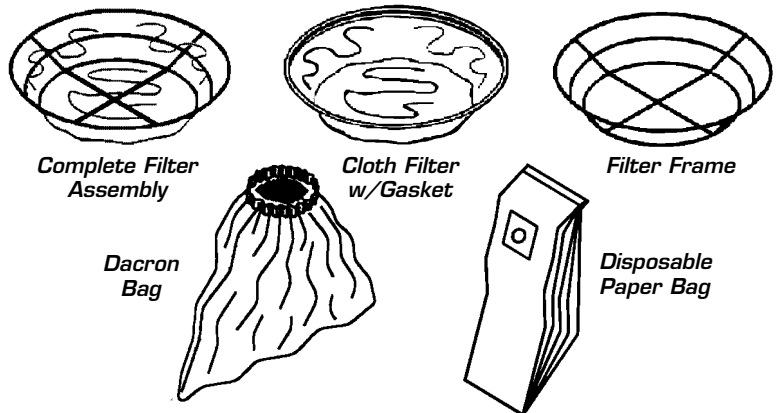


20 GALLON RECOVERY TANK

Ref No	Part Description	Qty	Part No
1	Poly Tank Assembly	1	326305
2	Chrome Push Handle	1	315524
3	Steel Washer	3	303909
4	Hold Down Clamps	3	358312
5	Pop Rivet	9	374733
6	Spring Washer	2	374059
7	8" Wheels	2	369004
8	"X" Washer	2	368997
9	Hub Cap	2	319317
10	1/4-20 X 1 1/2" Rd Screws	10	360848
11	Handle Brackets	4	328111
12	Plastic Caster Sockets	2	371750
13	3" Swivel Casters	2	314056
14	Guard for Gate Valve	1	314064
15	Gate Valve Gasket	2	307602
16	Gate Valve w/Hose Connector	1	318442
17	Large Nut	1	306789
18	Inlet Fitting	1	325406
19	Tool Caddy (Optional)	1	354201

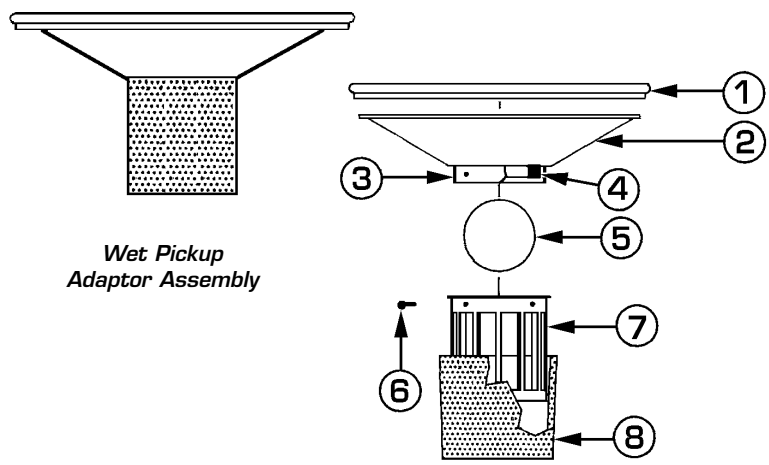


DRY FILTERS AND DISPOSABLE BAGS



Part Description	Part No
Complete Dry Filter Assembly	378461
Filter Frame Assembly	371696
Cloth Filter w/Gasket	371580
Dacron Clog-Proof Bag	300888
Disposable Paper Bags-5/Pk (8 Gal)	330353
Disposable Paper Bags-5/Pk (15 & 20 Gal)	384496

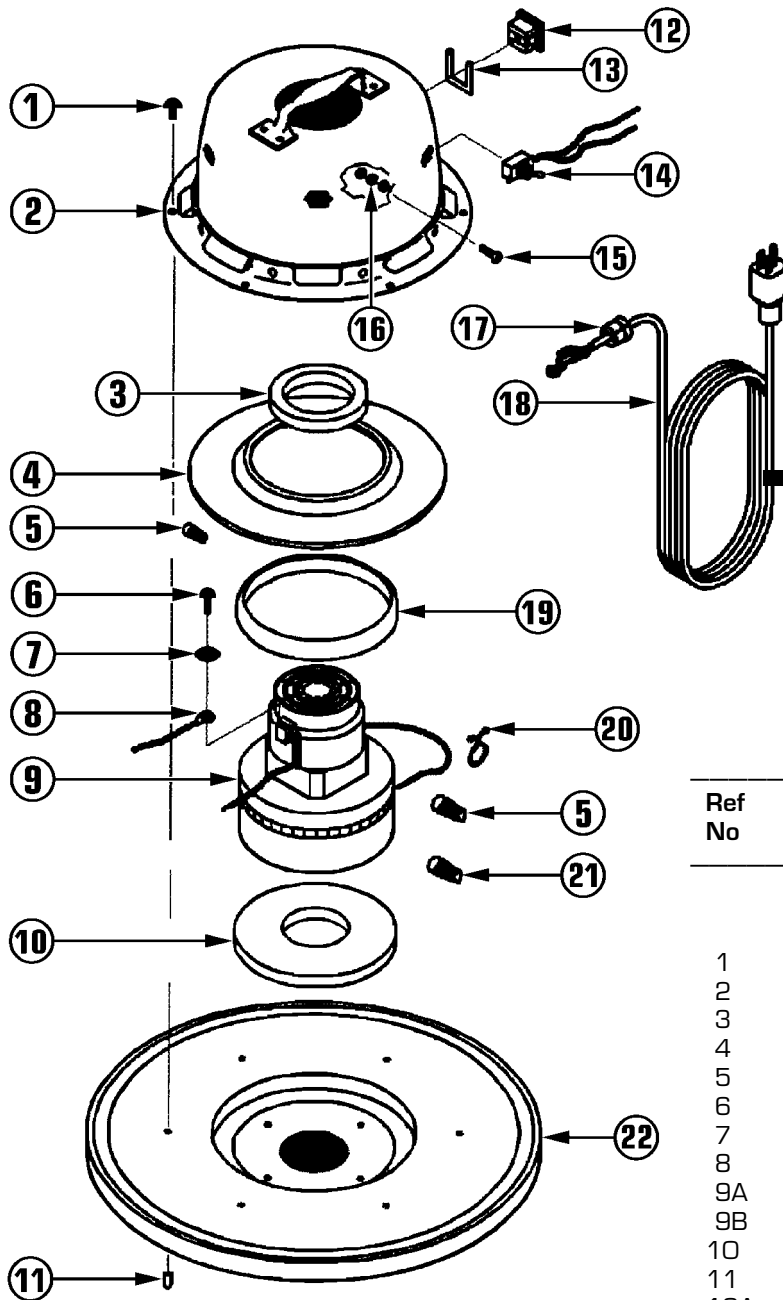
WET PICKUP ADAPTOR REPLACEMENT PARTS LIST



Ref No	Part Description	Qty	Part No
	Wet Pickup Adapter Assy	1	377295
1	Sealing Gasket	1	376027
2	Wet Pan w/Filter Support and Gaskets	1	371742
3	Filter Support Cup	1	377791
4	Ball Neoprene Gasket	1	338567
5	Float Ball	1	338133
6	Screw	2	309710
7	Plastic Float Cage	1	377775
8	Foam Charcoal Sleeve	1	365300

#10

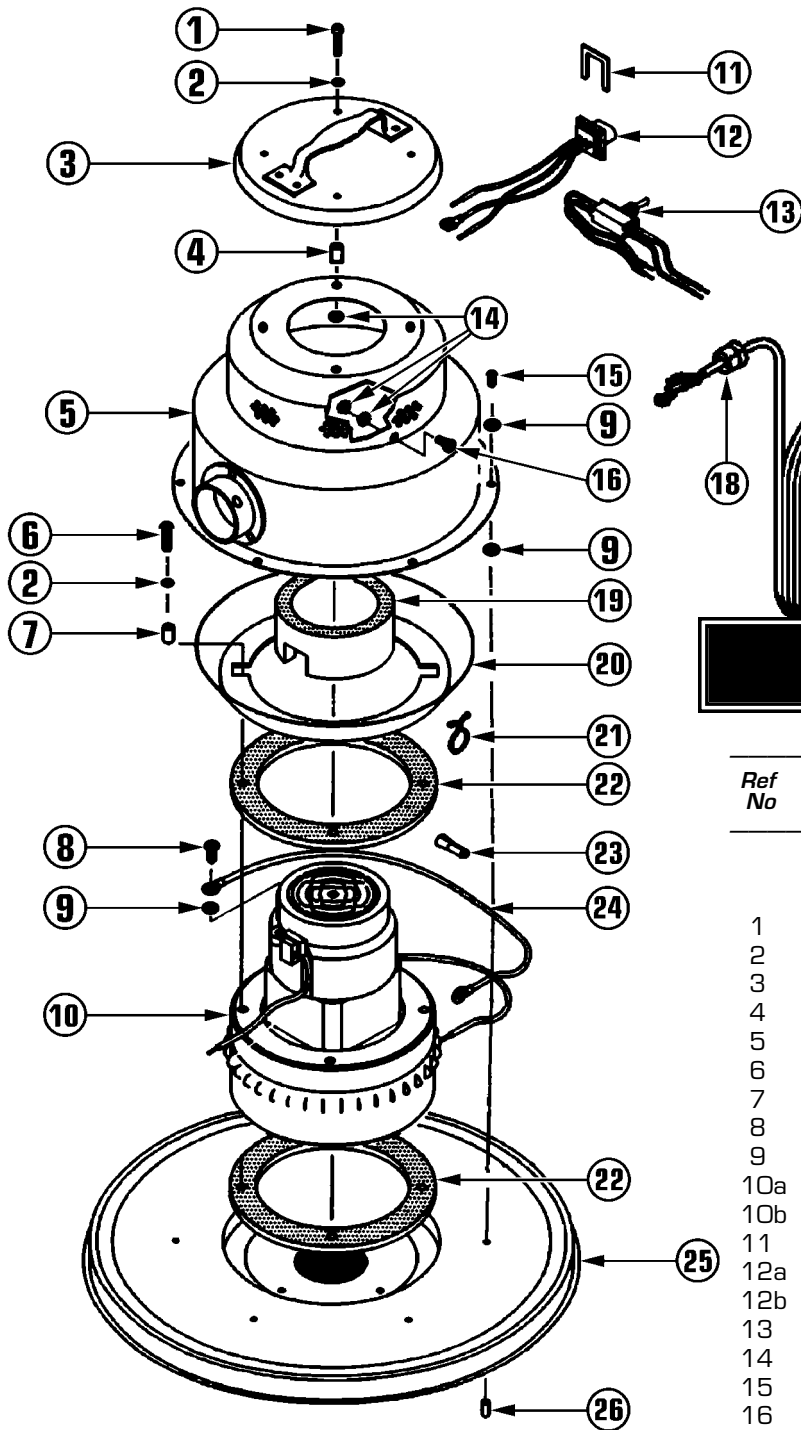
MOTOR HEAD REPLACEMENT PARTS LIST



1.3 HP BY-PASS MOTOR HEAD (14" & 16")

Ref No	Part Description	Qty	Part No
	14" Motor Head Assembly	1	329894
	16" Motor Head Assembly	1	329843
1	#12 X 1/2" Screw	6	314595
2	Dome Assembly	1	326674
3	Top Motor Gasket	1	364940
4	Motor Holddown	1	315737
5	Yellow Wire Connector	2	350648
6	#10-32 X .31 Screw	1	393258
7	#12 Internal Tooth Lockwasher	3	364037
8	Ground Wire w/Terminals	1	307440
9A	115 Volt, 1 1/4 HP Motor	1	337757
9B	230 Volt, 1 1/4 HP Motor	1	338257
10	Circle Gasket	1	378607
11	Screw Protector	6	341649
12A	115 Volt Convenience Outlet	1	341746
12B	230 Volt Convenience Outlet	1	321495
13	Retainer Clip	1	341932
14	Switch Assembly	1	306940
15	#10-24 X 3/4" Screw	1	337315
16	#10-24 Hex Nut w/Lockwasher	3	331201
17	Strain Relief	1	434299
18	30 Ft, 18/3 Line Cord	1	318647
19	Circle Gasket	1	303011
20	Purse Lock	1	365483
21	Orange Wire Connector	1	398985
22A	16" Cover Assembly	1	326275
22B	14" Cover Assembly	1	329762

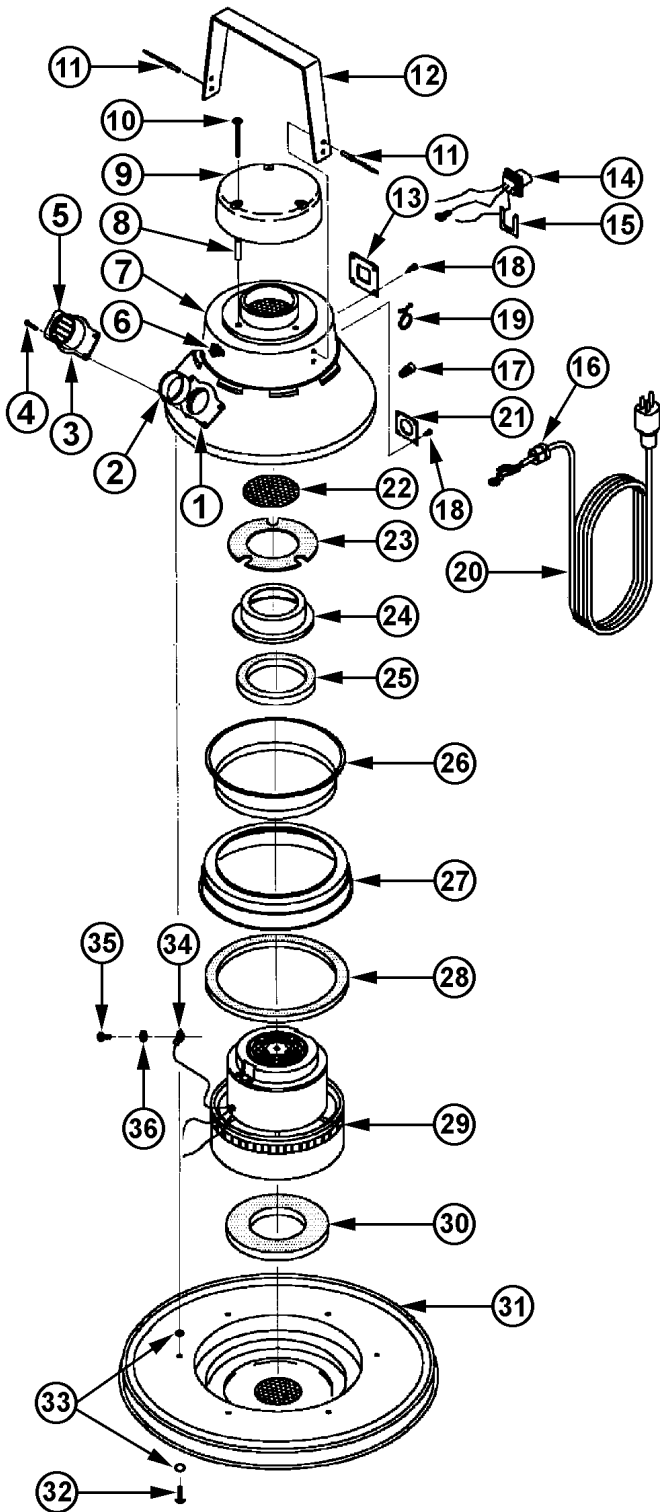
#12 MOTOR HEAD REPLACEMENT PARTS LIST (14" & 16" DIA)



2 HP BY-PASS MOTOR HEAD

Ref No	Part Description	Qty	Part No
	14" Motor Head Assembly	1	318973
	16" Motor Head Assembly	1	318930
1	#10-24 X 1" Screw	4	335169
2	Flat Washer	6	322164
3	Dome Cover w/Handle	1	363057
4	Nylon Spacer	4	332186
5	Dome Assembly	1	320137
6	#10 X .62 Screw	2	306606
7	Nylon Spacer	2	365084
8	#10-32 X .31 Screw	1	393258
9	#12 Int. Tooth Lockwasher	3	364037
10a	115 Volt, 2 HP Motor	1	389684
10b	230 Volt, 2 HP Motor	1	389692
11	Retainer Cup	1	341932
12a	115 Volt Convenience Outlet	1	341746
12b	230 Volt Convenience Outlet	1	312495
13	Switch Assembly	1	324140
14	#10-24 Hex Nut w/Lockwasher	4	313815
15	#12-14 X 1/2" Screw	6	314595
16	#10-24 X 3/4" Screw	1	337315
17	30 Ft - 16/3 Power Cord	1	306819
18	Strain Relief	1	434299
19	Motor Holdown	1	396559
20	Chimney Gasket	2	387673
21	Purse Lock	1	365483
22	Circle Gasket	1	378607
23	Yellow Wire Connector	4	350648
24	Grounding Wire	1	307440
25a	14" Cover Assembly	1	320110
25b	16" Cover Assembly	1	317888
26	Screw Protector	6	341649

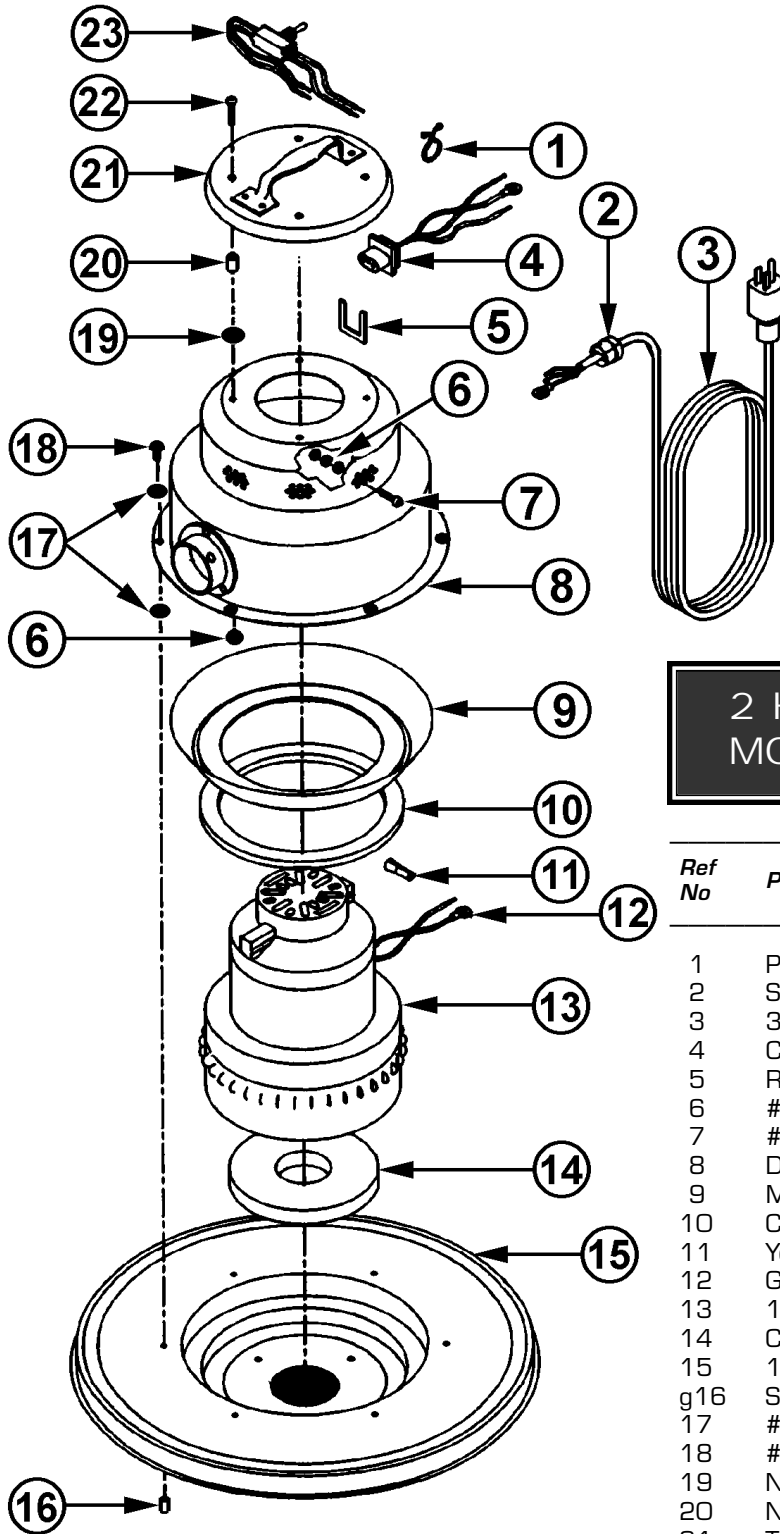
#15 MOTOR HEAD REPLACEMENT PARTS LIST



2¹/₄ HP BY-PASS MOTOR HEAD

Ref No	Part Description	Qty	Part No
	14" Motor Head Assembly	1	369942C
	16" Motor Head Assembly	1	369543C
1	Exhaust Connector Gasket	1	364606
2	Flat Gasket	1	368008
3	Air Deflector Exhaust	1	367958
4	Tubular Rivets	4	348538
5	Exhaust Connector w/Pins	1	364665
6	Switch	1	324140
7	Dome Assembly	1	367818
8	Steel Spacer	3	367842
9	Dome Cover	1	367850
10	#10-24 X 1 ³ / ₄ " Screw	3	366676
11	Handle Pop Rivets	4	318906
12	Carrying Handle	1	367834
13	Receptacle Mounting Plate	1	367990
14A	115 Volt Convenience Outlet	1	341746
14B	230 Volt Convenience Outlet	1	312495
15	Retainer Clip	1	341932
16	Strain Relief	1	434299
17	Yellow Wire Connector	4	350648
18	#6-32 X 1 ¹ / ₄ " Screw	8	349402
19	Large Purse Lock	2	365483
20	30 Ft, 14/3 Line Cord	1	312789
21	Strain Relief Mounting Plate	1	367982
22	Disc Screen	1	367893
23	Pyrell Gasket	1	367885
24	Air Conductor Spinning	1	367974
25	Top Motor Gasket	1	317446
26	Motor Holddown Spinning	1	367915
27	Air Collector Assembly	1	367931
28	Flat Gasket	1	379158
29A	115 Volt, 2 ¹ / ₄ HP Motor	1	304301
29B	230 Volt, 2 ¹ / ₄ HP Motor	1	311987
30	Motor Gasket	1	378607
31A	16" Cover Assembly	1	373184
31B	14" Cover Assembly	1	373192
32	#10-24 X 1 ¹ / ₂ " Screw	6	372633
33	#12 Internal Tooth Lockwasher	2	364037
34	Electrical Terminal	1	319724
35	#10-24 X 1 ³ / ₄ " Screw	1	337315
36	#10-24 Hex Nut w/Lockwasher	3	331201

#35 MOTOR HEAD REPLACEMENT PARTS LIST



2 HP BY-PASS MOTOR HEAD (16" DIA)

Ref No	Part Description	Qty	Part No
1	Purse Lock	1	365483
2	Stain Relief	1	434299
3	30 Ft, 14/3 Line Cord	1	312789
4	Convenience Outer	1	341746
5	Retainer Clip	1	341932
6	#10-24 Hex Nut w/Lockwasher	4	313815
7	#10-24 X 3/4" Screw	1	337315
8	Dome Assembly	1	363162
9	Motor Holddown	1	396567
10	Circle Gasket	1	306975
11	Yellow Wire Connector	4	350648
12	Ground Lead w/Terminal	1	319724
13	115V, 2 HP By-Pass Motor	1	343641
14	Circle Gasket	1	303216
15	16" Cover Assembly	1	361100
g16	Screw Protector	6	341649
17	#12 Internal Tooth Lockwasher	2	364037
18	#12-14 X 1/2" Screw	6	314595
19	Nylon Spacer	4	365084
20	Nylon Spacer	4	332186
21	Top Cover w/Handle	1	363057
22	#10-24 X 1" Screw	4	335169
23	Switch Assembly	1	324140