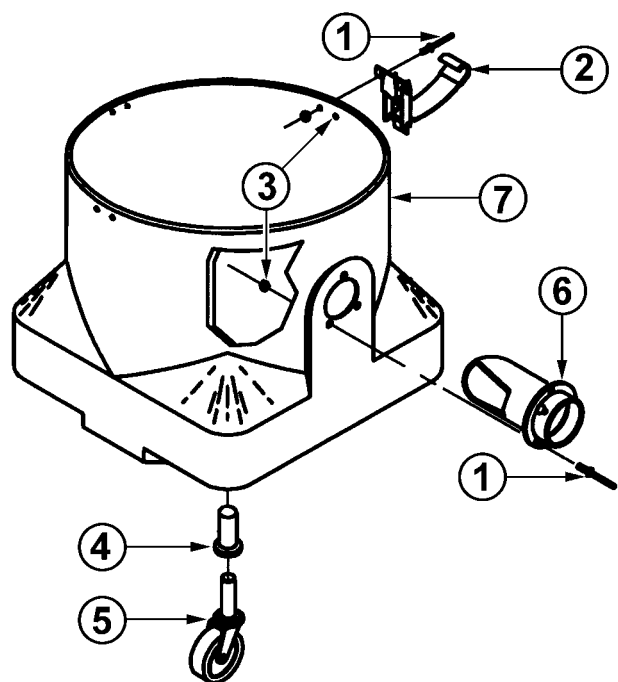
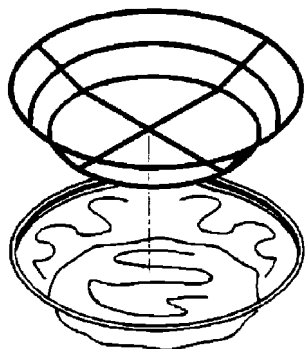


# 5 GALLON POLY TANK REPLACEMENT PARTS LIST

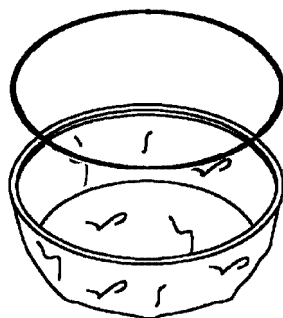


Ref No	Part Description	Qty	Part No
	Complete Tank Assembly	1	371211
1	Pop Rivet	9	374733
2	Holddown Clamp	3	358312
3	Steel Washer	9	303909
4	Plastic Caster Socket	4	371750
5	2-1/2" Swivel Caster	4	307408
6	Inlet Fitting	1	325406
7	Poly Tank w/o Casters	1	354295



14" Pancake Dry Filter

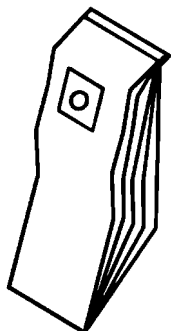
Part Description	Part No
Pancake Filter Assy	306428
Cloth Filter w/Gasket	306452
Filter Frame Assembly	304158



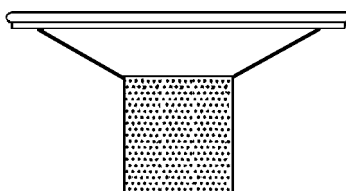
14" Dry Filter  
(for #09 & #11 Motor Heads)

Part Description	Part No
Filter Ring	316415
Cloth Filter	306460

# DRY FILER & WET ADAPTOR ASSEMBLY



Disposable Paper Filter Bags  
(5/Pk)  
Part No - 384453

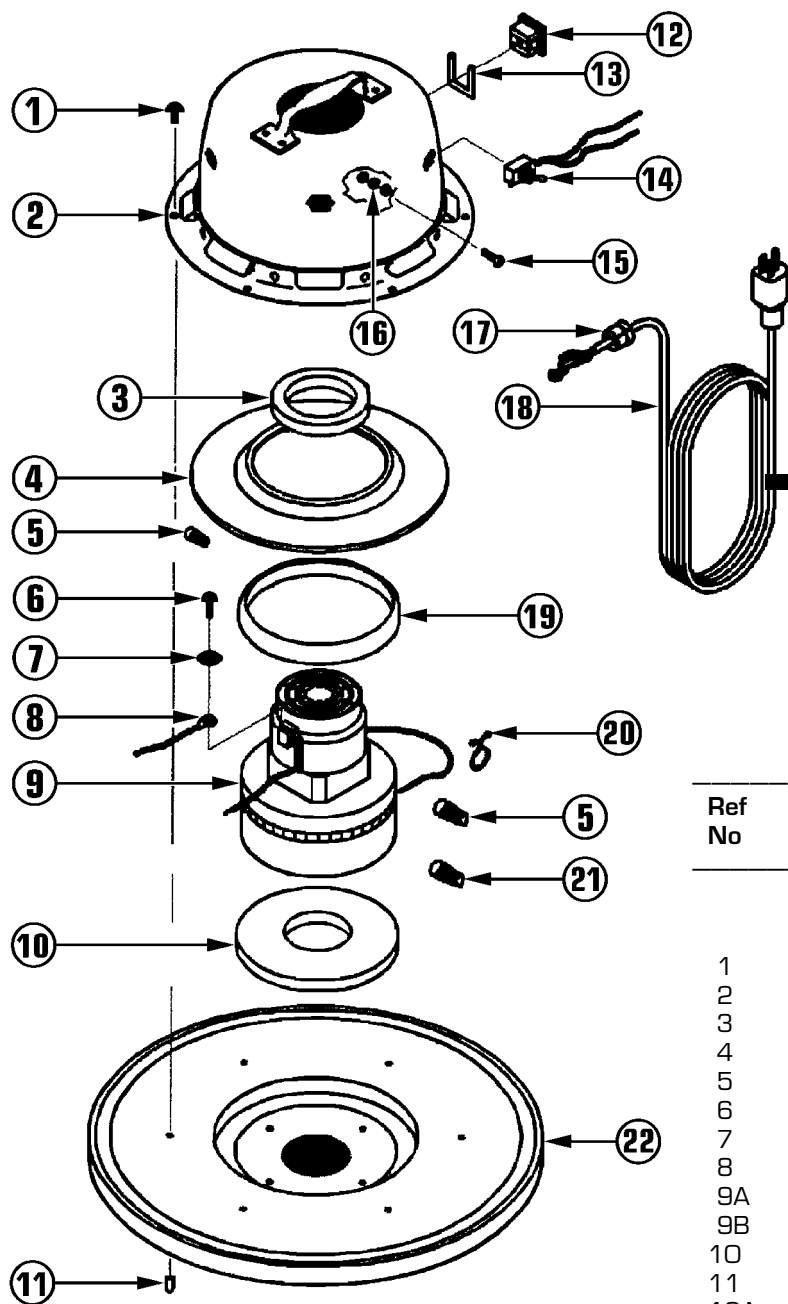


Wet Pickup Adaptor  
Part No - 379816

# #10

## MOTOR HEAD REPLACEMENT PARTS LIST

### 1.3 HP BY-PASS MOTOR HEAD (14" & 16")



Ref No	Part Description	Qty	Part No
	14" Motor Head Assembly	1	329894
	16" Motor Head Assembly	1	329843
1	#12 X 1/2" Screw	6	314595
2	Dome Assembly	1	326674
3	Top Motor Gasket	1	364940
4	Motor Holddown	1	315737
5	Yellow Wire Connector	2	350648
6	#10-32 X .31 Screw	1	393258
7	#12 Internal Tooth Lockwasher	3	364037
8	Ground Wire w/Terminals	1	307440
9A	115 Volt, 1 1/4 HP Motor	1	337757
9B	230 Volt, 1 1/4 HP Motor	1	338257
10	Circle Gasket	1	378607
11	Screw Protector	6	341649
12A	115 Volt Convenience Outlet	1	341746
12B	230 Volt Convenience Outlet	1	321495
13	Retainer Clip	1	341932
14	Switch Assembly	1	306940
15	#10-24 X 3/4" Screw	1	337315
16	#10-24 Hex Nut w/Lockwasher	3	331201
17	Strain Relief	1	434299
18	30 Ft, 18/3 Line Cord	1	318647
19	Circle Gasket	1	303011
20	Purse Lock	1	365483
21	Orange Wire Connector	1	398985
22A	16" Cover Assembly	1	326275
22B	14" Cover Assembly	1	329762