

READ & FOLLOW
ALL INSTRUCTIONS,
WARNINGS & CAUTIONS
BEFORE USING THIS VACUUM

SAFETY,
OPERATION &
MAINTENANCE
MANUAL
W/PARTS LIST

itseries[®]

WET/DRY
POLY VACUUMS

These units are intended for commercial use.



This vacuum will afford you many years of trouble-free operating satisfaction, provided it is given proper care. All parts have passed rigid quality control standards prior to being assembled to produce the finished product. Prior to packaging, the vacuum was again inspected for assurance of flawless assembly.

Your vacuum is protectively packed to prevent damage in shipment. We recommend that upon delivery, unpack the vacuum and inspect it for any possible damage. Only a visual examination will reveal damage that may have occurred.

If damage is discovered, immediately notify the transportation company that delivered your vacuum. As a shipper, we are unable to report claims for concealed damage. You must originate any claims within 5 days.

This manual is for your protection and information.

PLEASE READ CAREFULLY since failure to follow precautions could result in discomfort or injury.

READ ALL
INSTRUCTIONS
BEFORE
OPERATION

SAVE THESE INSTRUCTION

IMPORTANT SAFETY INSTRUCTIONS



WARNING:

To reduce the risk of fire, Electric Shock or Injury:
DO NOT expose to rain - Store Indoors

When using this electric vacuum, basic precautions should always be followed, including the following:

1. **DO NOT** leave the vacuum when plugged in. Unplug it from the outlet when not in use and before servicing.
2. This is **NOT** a toy. Close attention is necessary when used around or near children.
3. Use only as described in this safety manual. Use only manufacturer's recommended attachments and accessories.
4. **DO NOT** use this vacuum with damaged cord or plug. If the vacuum is not working as it should, because it has been dropped, damaged, left outdoors or dropped into water, contact an authorized service center or factory.
5. **DO NOT** pull the vacuum by the cord, use cord as a handle, close a door on the cord or pull cord around sharp edges and corners. **DO NOT** run the vacuum over the cord. Keep cord away from heated surfaces.
6. **DO NOT** unplug the vacuum by pulling on the cord. To unplug, grasp the plug, not the cord.
7. **DO NOT** handle the vacuum plug or vacuum with wet hands.
8. **DO NOT** put any objects into openings. **DO NOT** use with any openings blocked; keep free of dust, lint hair, and anything that may reduce air flow.
9. Turn **OFF** all controls before unplugging.
10. Keep hair, loose clothing, fingers, and all parts of your body away from openings and moving parts.
11. **DO NOT** pick up anything that is smoking or burning such a cigarettes, matches, or hot ashes.
12. When used for dry pickup **DO NOT** use without dust bag or filters in place.
13. Use extra care when cleaning on stairs.
14. **DO NOT** use this vacuum to pick up flammable or combustible liquids such as gasoline or use in areas where they may be present.
15. **DO NOT** use where anesthetics and oxygen are used.
16. Replace damaged or worn parts immediately with genuine original equipment parts to maintain safety and to protect your limited warranty.
17. **DO NOT** use an extension cord unless absolutely necessary. If an extension cord is used, then wire size must be #14 gauge or larger and should not exceed 50 feet in length. Use only (3) conductor grounding extension cord to insure GROUNDING protection.

This vacuum must be connected to a properly grounded outlet only. See grounding instructions (Page 3)

SAVE THESE INSTRUCTIONS



DANGER:

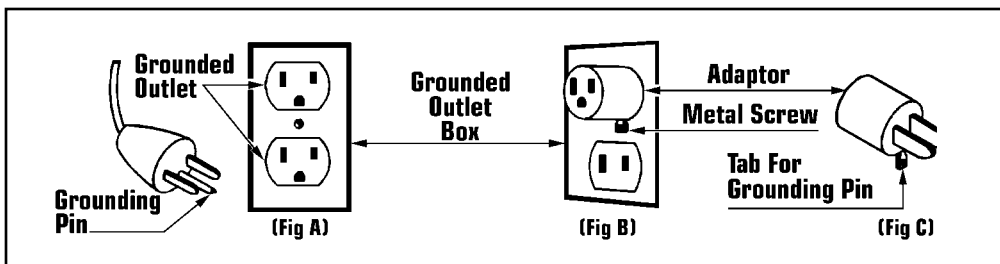
Improper use of the grounding plug can result in a risk of electric shock.

GROUNDING INSTRUCTIONS

Electrical equipment must be grounded. If it should mal-function or breakdown, grounding provides a path of least resistance for electrical current to reduce the risk of electric shock. This vacuum is equipped with a cord having an equipment-grounding conductor and grounding plug. The plug must be inserted into an appropriate outlet that is properly installed

and grounded in accordance with all local codes and ordinances.

If repair or replacement of the cord or plug is necessary, **DO NOT** connect the grounded wire to either flat blade terminal. The wire with insulation having an outer surface that is green with or without yellow stripes is the grounding wire.



GROUNDING METHODS

This electric equipment is for use on a nominal 120 volt circuit, and has a grounded plug that looks like the plug illustrated in (Fig A). A temporary adaptor that looks like the adaptor illustrated in (Fig B & C) may be used to connect this plug to a 2-pole receptacle as shown in (Fig B) if a properly grounded outlet is not available. The temporary adaptor should be used

only until a properly grounded outlet (Fig A) can be installed by a qualified electrician. The green color rigid ear, lug or the like extending from the adaptor must be connected to a permanent ground such as a properly grounded outlet box cover. Whenever the adaptor is used, it must be held in place by a metal screw (Fig 3).



WARNING:

Improper connection of the equipment-grounding conductor can result in a risk of electric shock. Check with a qualified electrician or service person if you are in doubt as to whether the outlet is properly grounded.

DO NOT modify the plug provided with the equipment. If it will not fit the outlet, have a proper outlet installed by a qualified electrician.

Note: In Canada, the use of a temporary adaptor is not permitted by the Canadian Electrical Code.

Treat this vacuum as you would any other high grade precision made product. Dropping, unreasonable bumping across thresholds and other misuses may result in a damaged to the unit which will not be covered by warranty.

Read this manual completely before operating the vacuum. It is important to follow instructions in this manual to prevent the possibility of injury or damage to the user and/or vacuum.

CARE OF THIS VACUUM

DRY & WET OPERATION

The IT-Vacs are equipped with by-pass motors, designed for dry or wet pickup. They are shipped assembled with the hose, wand and tools packed in the shipping carton.

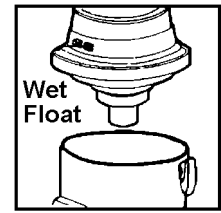
Dry Operation

This vacuum is shipped with the dry filter in place and is set up for dry pickup.



Dry Setup After Wet Pickup

1. Remove the motor head and set aside.
2. Lift up on the front handle and tilt tank back and empty contents into a suitable drain.
3. Set dry filter assembly on tank, replace motor head and snap down clamps.

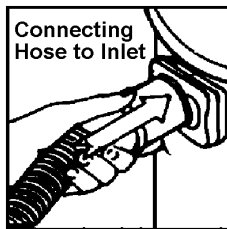


Setup for Wet Operation

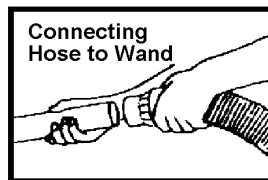
When using this vacuum for wet pickup the dry filter must be removed. The float cage is attached to the bottom of motor head and remains in place for dry and wet operation.

1. Disengage holdown clamps remove motor head and set aside.
2. Remove dry filter, set aside.
3. Replace the motor head, and snap down clamps.

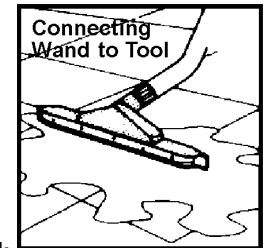
HOSE, WAND & TOOLS INSTALLATION



1. **Hose to Inlet:** Push the red button on the inlet to the left and insert hose. Release button and the hose is connected.



2. **Wand Assembly** Push straight ends of wands together.
3. **Hose to Wand:** Slide the free end of hose onto one end of the wand.



4. **Wand to Tool:** Select the required tool for vacuuming and attach it to the free end of wand.

VACUUM MAINTENANCE

Dry Filter

In order to maintain maximum efficiency of this vacuum cleaner it is important to clean the cloth filter each time the tank is emptied.

To clean the cloth filter, shake off loose particles and brush exposed surface with a soft bristle brush.

Wet Pickup

DO NOT store this vacuum with any liquids inside the vacuum. Before storing or converting over for dry pickup run emptied vacuum for approximately five minutes to eliminate moisture in the tank, hose and attachments

Empty liquids from Tank

1. Remove the motor head and dry filter .Set aside.
2. Lift up on the front handle and tilt the tank back to empty the contents.

Note: The tank can also be removed from the dolly by rotating the quick release system.



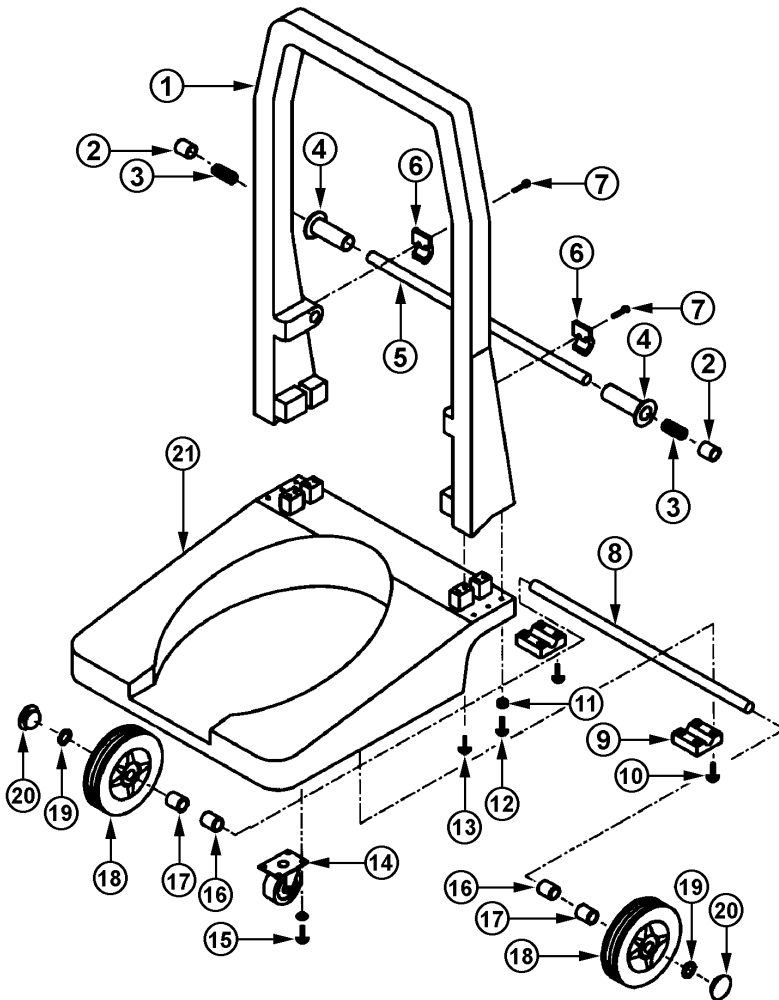
CAUTION:

Always exercise **CAUTION** when handling the motor head. Dropping the motor head may cause damage to the internal components.



TANK & TROLLEY REPLACEMENT PARTS LIST

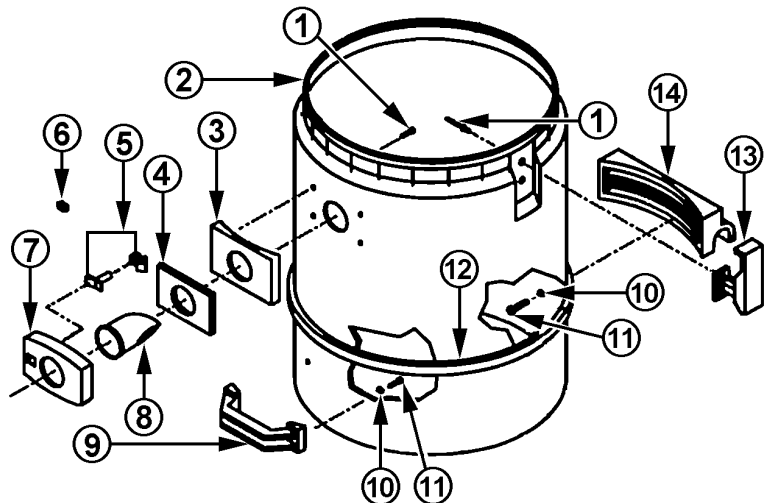
TANK TROLLEY



Ref No	Part Description	Qty	Part No
1	Dolly Handle	1	417270
2	Spacer	2	417084
3	Spiral Spring	2	416983
4	Pivot Hinge	2	417009
5	Support Rod	1	417300
6	Clamp	2	417297
7	5 X 25 Phillips Hd Screw	4	416975
8	Axle Shaft	1	417262
9	Axle Retainer	2	417114
10	5 X 30 Phillips Hd Screw	8	416746
11	Plastic Washer	6	417203
12	5 X 35 Phillips Hd Screw	2	416762
13	M5 X 40 Screw	12	416754
14	Front Caster	2	417025
15	5 X 20 Phillips Hd Screw	8	416703
16	Bushing	2	417211
17	Wheel Spacer	2	417084
18	Rear Wheel	2	416673
19	Washer	2	417017
20	Cap Nut	2	417343
21	Dolly Base	1	417335

15 GALLON POLY TANK

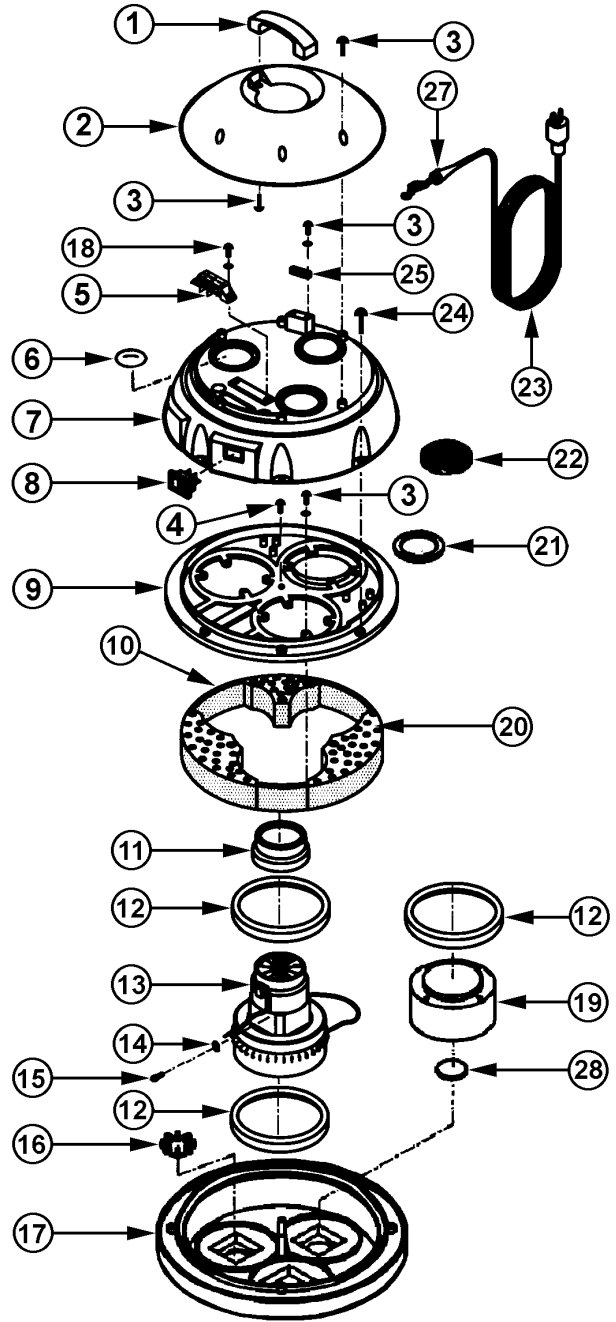
Ref No	Part Description	Qty	Part No
1	5 X 30 Phillips Hd Screw	4	416746
2	Poly Tank	1	417327
3	Inlet Gasket	1	417041
4	Inlet Gasket	1	417165
5	Hose Release Button	1	417076
6	Spring	1	417092
7	Tank Inlet	1	417033
8	Inlet Deflector	1	417068
9	Front Handle	1	417238
10	Plastic Washer	2	417203
11	5 X 25 Phillips Hd Screw	2	416975
12	Tank Trim	1	417319
13	Holdown Clamps	2	416967
14	Tank Hinge	1	416991
NS	Disposable Filter Bags (5/PK)	1	432423





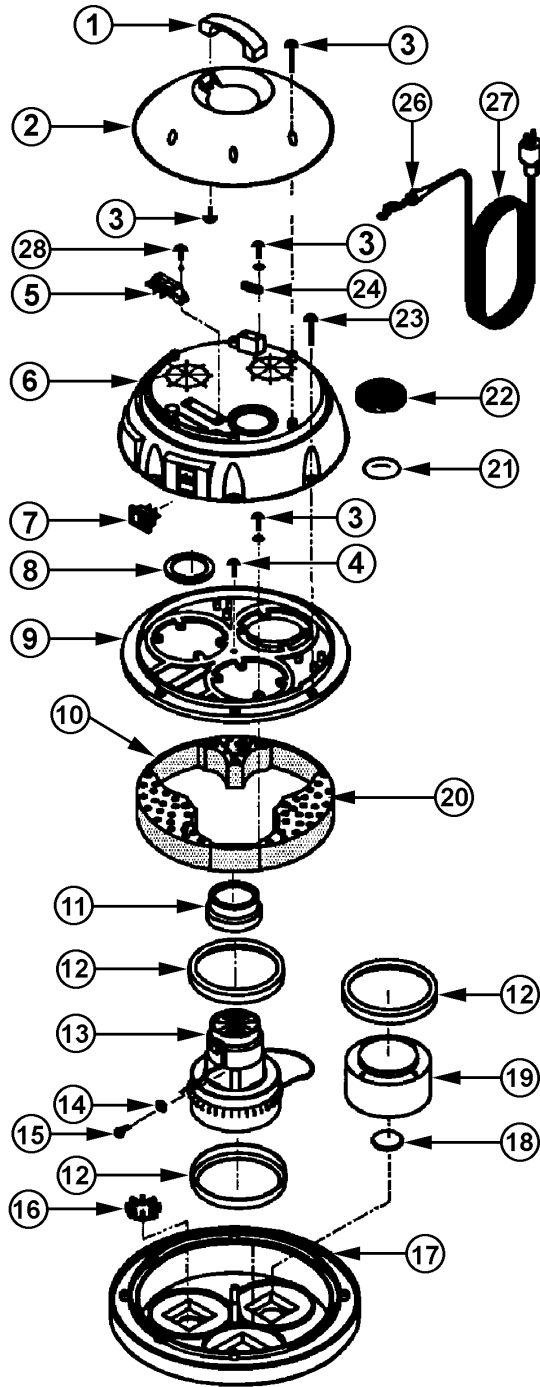
SINGLE MOTOR HEAD REPLACEMENT PARTS LIST

Ref No	Part Description	Qty	Part No
1	Motor Head Handle	1	417246
2	Dome Cover	1	416053
3	5 X 20 Phillips Hd Screw	11	416703
4	5 X 30 Phillips Hd Screw	2	416746
5	Terminal Block	1	416665
6	Vacuum Cap	2	438723
7	Dome	1	416843
8	Anti-Splash Switch	1	416584
9	Motor Holddown	1	416851
10	Silencing Foam	3	416894
11	Plastic Ring	1	416568
12	Gasket	6	416525
13	1 1/2 HP, 120 Volt Motor	1	416797
14	Washer	2	416711
15	M4 X 8 Screw	2	416770
16	Automatic Valve	2	416606
17	Motor Base Assembly	1	416657
18	5 X 14 Phillips Hd Screw	12	416681
19	Plastic Motor Spacer	2	438758
20	Deadening Triangle (Base)	3	416940
21	Gasket	1	416576
22	Foam Filter	3	438731
23	27 Ft, 3/16 Power Cord	1	416827
24	5 X 35 Phillips Hd Screw	8	416762
25	Locknut	1	416541
27	Strain Relief	1	416533
28	Motor Cap	2	438766



TOOL, HOSE AND WAND





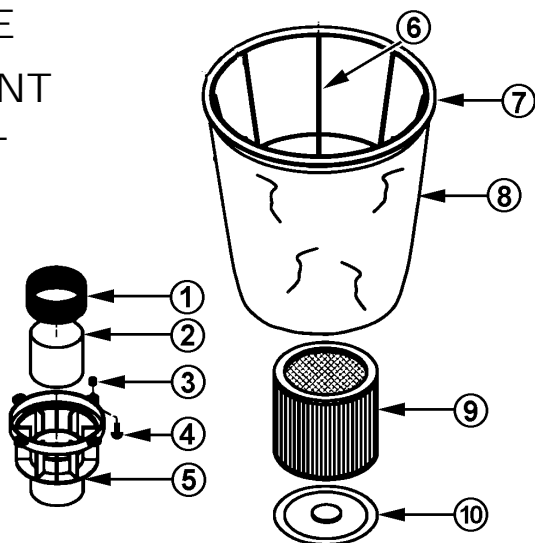
DUAL MOTOR HEAD REPLACEMENT PARTS LIST

Ref No	Part Description	Qty	Part No
1	Motor Head Handle	1	417246
2	Dome Cover	1	416053
3	5 X 20 Phillips Hd Screw	11	416703
4	5 X 30 Phillips Hd Screw	2	416746
5	Terminal Block	1	416665
6	Dome	1	416843
7	Anti-splash Switch	2	416649
8	Gasket	1	416576
9	Motor Holddown	1	416851
10	Silencing Foam	3	416894
11	Plastic Ring	2	416568
12	Motor Gasket	4	416525
13	2 - 1 HP, 120 Volt Motor	2	416789
14	Washer	2	416711
15	M4 X 8 Screw	2	416770
16	Automatic Valve	2	416606
17	Motor Base Assembly	1	416657
18	Motor Cap	1	438766
19	Motor Spacer	1	438758
20	Deadening Triangle	3	416940
21	Vacuum Cap	1	438723
22	Foam Filter	3	438731
23	5 X 35 Phillips Hd Screw	8	416762
24	Cord Clamp	1	416541
25	4.3 X 22 Screw	2	416738
26	Strain Relief	1	416533
27	27 Ft, 3/16 Power Cord	1	416827
28	5 X 14 Ph Hd Screw	12	416681

Ref No	Part Description	Qty	Part No
1	3 Piece Plastic Wand	1	456020
2	10 Ft Vinyl Hose	1	422576
3	Dusting Brush	1	432830
4	16" Squeegee Tool	1	435503
5	Crevice Tool	1	422533
6	16" Floor Tool	1	433187
N/S	Reducer	1	433268

TOOL, HOSE AND WAND PARTS LIST

DRY FILTER AND FLOAT CAGE REPLACEMENT PARTS LIST



Ref No	Part Description	Qty	Part No
1	Wire Mesh Filter	1	417254
2	Float	1	417106
3	Spacer	1	417351
4	5 X 25 Screw	4	417289
5	Float Cage	1	417122
6	Plastic Frame	1	417130
7	Filter Ring	1	416630
8	Cloth Filter Bag	1	417157
Optional Filter			
9	Cartridge Filter	1	417173
10	Cartridge Filter Ring	1	417181

TROUBLE SHOOTING GUIDE

PROBLEM: Lose of vacuum.

POSSIBLE CAUSE:

1. Cloth filter clogged.
2. Clogged hose or wand.
3. Tank rim damaged
4. Loose or broken fan.
5. Motor not working.
6. Float not functioning.
7. Tank full.

POSSIBLE SOLUTION:

1. Clean cloth filter.
2. Remove obstruction.
3. Replace tank.
4. Contact manufacturer or service center.
5. Contact manufacturer or service center.
6. Check to see if float moves freely.
7. Drain dirty water from tank.

PROBLEM: Motor or pump is not running.

POSSIBLE CAUSE:

1. Broken switch.
2. Power cord defective.
3. Motor or pump defective.
4. Blown fuse or tripped circuit breaker.

POSSIBLE SOLUTION:

1. Contact manufacturer or service center.
2. Contact manufacturer or service center.
3. Contact manufacturer or service center.
4. Replace fuse or reset circuit breaker.

PROBLEM: Dust blowing from vacuum when running.

POSSIBLE CAUSE:

1. Cloth filter bag dirty.
2. Cloth filter bag is torn or missing.

POSSIBLE SOLUTION:

1. Clean cloth filter bag.
2. Replace.

PROBLEM: Water blowing from vacuum when running.

POSSIBLE CAUSE:

1. Tank is full of liquid.
2. Sudsy or foamy liquid is being picked up.

POSSIBLE SOLUTION:

1. Empty tank.
2. Add defoamer to tank.



Address:
777 South Street
P.O. Box 2310
Newburgh, NY 12550-0606

TEL:
(800) 835-7812
(845) 565-8850

FAX:
(800) 752-6883
(845) 565-9392

URL:
www.mastercraftusa.com

E-mail:
mail@mastercraftusa.com