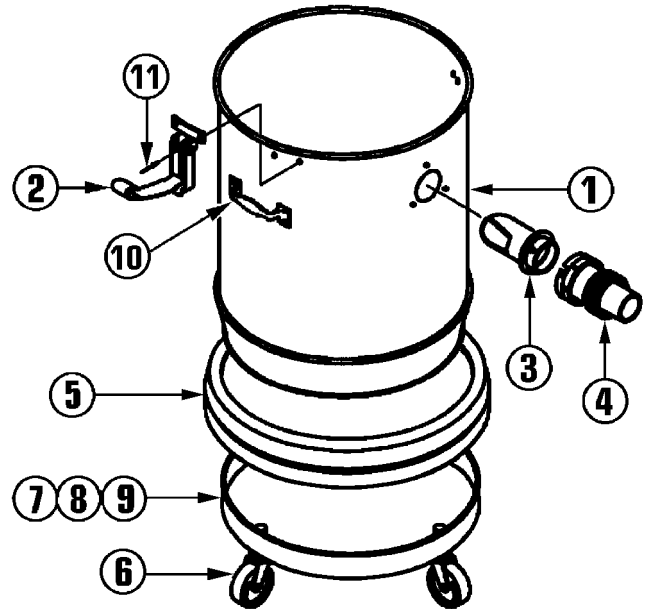


**3 1/2 & 7 GALLON RECOVERY
4 CASTER (14" DIA)**

**STEEL TANKS
REPLACEMENT PARTS LIST**

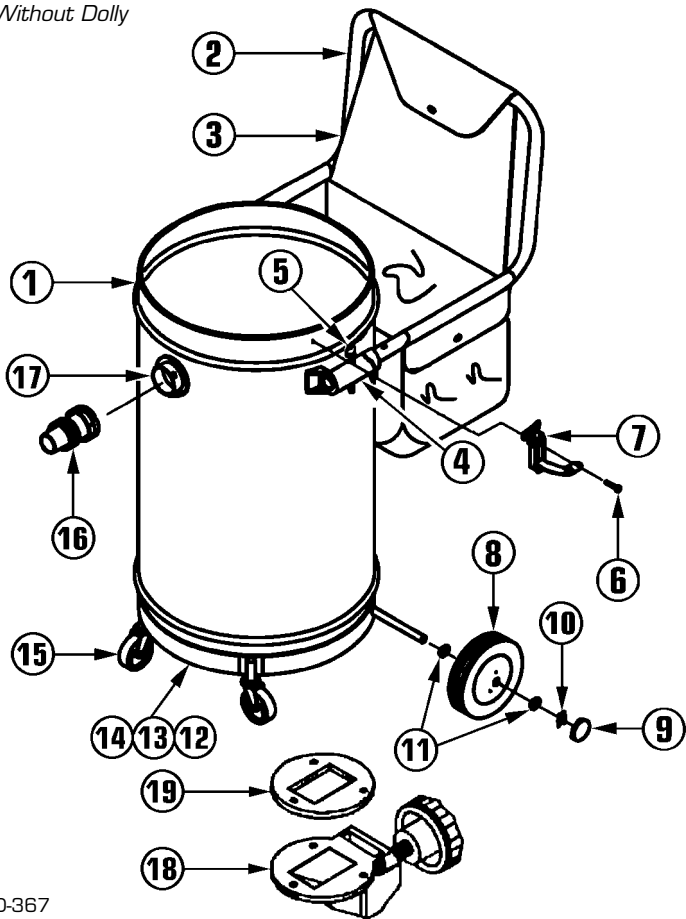


Ref No	Part Description	Qty	Part No
1A	#6/3 1/2 Gal CRS Tank Assy*	1	329592
1B	#6/3 1/2 Gal SS Tank Assy*	1	364517
1C	#10/7 Gal CRS Tank Assy*	1	325988
1D	#10/7 Gal SS Tank Assy*	1	325945
2	Holddown Clamps	3	358312
3	Inlet Fitting	1	325406
4A	1 1/4" Hose Connector	1	349534
4B	1 1/2" Hose Connector	1	349445
5	Vinyl Bumper	1	318272
6	2 1/2" Swivel Casters	4	307408
7	14" Ring Dolly	1	308234
8	#10-24 X 1 1/2" Screw	2	380938
9	#10-24 X 1 1/2" Hex Nut	2	381004
10	Lift Handles (5 Gal)	2	484091
11	Pop Rivets	3	318906
N/S	Drain Cap w/Chain (#6 & 3 1/2 Gal SS)	1	348309
N/S	Drain Valve (#10 & 7 Gal SS Tank Only)	1	441457

**12 & 16 GALLON RECOVERY
GLIDEMOBILE (16" DIA)**

Ref No	Part Description	Qty	Part No
1A	#15/12 Gal CRS Tank Assy*	1	326143
1B	#15/12 Gal SS Tank Assy*	1	326100
1C	#20/16 Gal CRS Tank Assy*	1	325457
1D	#20/16 Gal SS Tank Assy*	1	325511
2	Push Handle	1	376906
3	Tool Caddy	1	319198
4	Handle Brackets	2	376949
5	Speed Pin Assembly	2	385182
6	Pop Rivets	4	318906
7	Holddown Clamps	3	358312
8	8" Wheels	2	330396
9	Chrome Hub Caps	2	319317
10	1/2" Palnut	2	319619
11	1/2" Flat Steel Washer	4	315435
12	Complete Glidemobile Dolly	1	382590
13	1/4-20 X 1 1/4" Bolt	1	345555
14	1/4-20 Hex Nut	1	338966
15	2 1/2" Swivel Caster	2	307408
16A	1 1/4" Hose Connector	1	349534
16B	1 1/2" Hose Connector	1	349445
17	Inlet Fitting	1	325406
18	Drain Valve (SS Tank Only)	1	379980
19	Circle Gasket (SS Tank Only)	1	378720

* Without Dolly



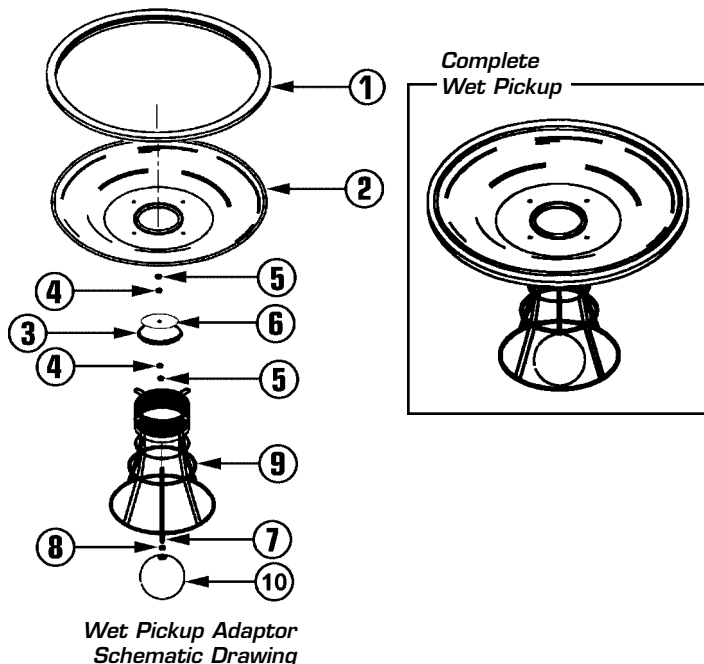
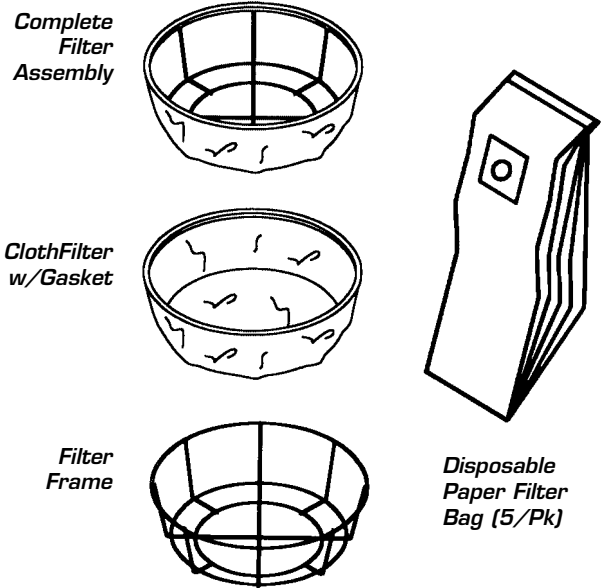
*Without Dolly

LD-367

DRY FILTERS, PAPER FILTER BAGS & WET PICKUP ADAPTOR PARTS LIST

DRY FILTERS & DISPOSABLE PAPER FILTER BAGS

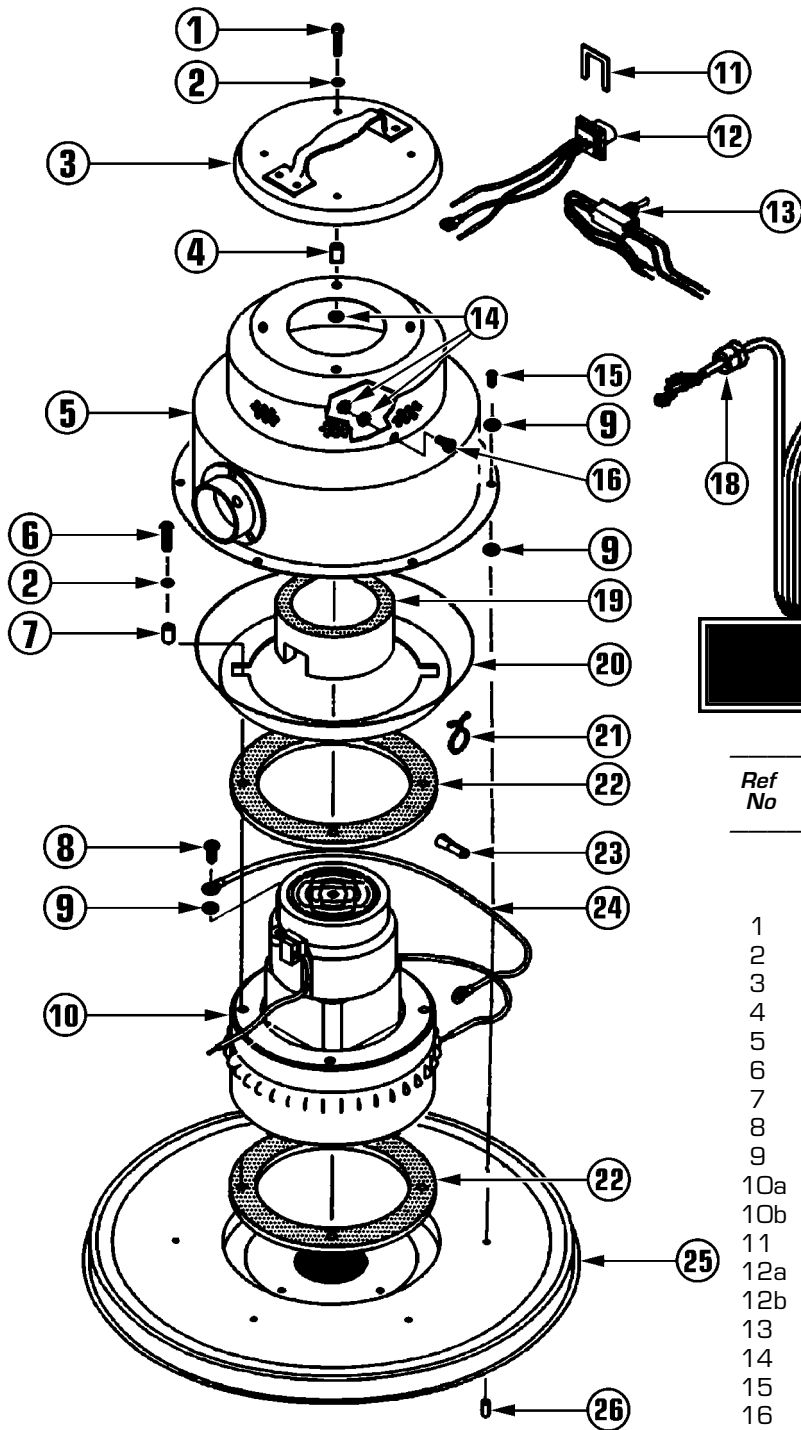
Parts Description	Qty	Part No
Complete Filter Assembly		
Fits - 14" Dia, 3 1/2 Gal Recovery Tank	1	306428
Fits - 14" Dia, 5 Gal Recovery Tank	1	306436
Fits - 16" Dia, 10 & 15 Gal Recovery Tank	1	306444
Cloth Filter w/Gasket		
Fits - 14" Dia, 3 1/2 Recovery Gallon Tank	1	306452
Fits - 14" Dia, 5 Gal Recovery Tank	1	306460
Fits - 16" Dia, 10 & 15 Gal Recovery Tank	1	306479
Filter Frame Only		
Fits - 14" Dia, 3 1/2 Gal Recovery Tank	1	304158
Fits - 14" Dia, 5 Gal Recovery Tank	1	304123
Fits - 16" Dia, 10 & 15 Gal Recovery Tank	1	304107
Disposable Paper Bag (5/Pk)		
Fits - 14" Dia, 3 1/2 Gal Recovery Tank	1	384453
Fits - 14" Dia, 5 Gal Recovery Tank	1	366447
Fits - 16" Dia, 10 Gal Recovery Tank	1	330353
Fits - 16" Dia, 15 Gallon Tank	1	328065



WET PICKUP ADAPTORS

Ret No	Part Description	Qty	Part No
	Complete 14" Wet Pickup Adaptor	1	305979
	Complete 16" Wet Pickup Adaptor	1	305987
1A	14" Rubber Gasket	1	376035
1B	16" Rubber Gasket	1	376027
2A	14" Float Pan Adaptor	1	312231
2B	16" Float Pan Adaptor	1	312193
3	Plate Gasket	1	374644
4	Spring Washer	2	372994
5	Ring Retainer	2	372986
6	Aluminum Valve Plate	1	375322
7	Float Spacer Rod	1	372943
8	1/4- 20 Hex Nut w/Lock Washer	1	338966
9	Float Cage Assy (4 thur 10)	1	372900
10	Float Ball w/Hex Nut	1	378003

#12 MOTOR HEAD REPLACEMENT PARTS LIST (14" & 16" DIA)



2 HP BY-PASS MOTOR HEAD

Ref No	Part Description	Qty	Part No
	14" Motor Head Assembly	1	318973
	16" Motor Head Assembly	1	318930
1	#10-24 X 1" Screw	4	335169
2	Flat Washer	6	322164
3	Dome Cover w/Handle	1	363057
4	Nylon Spacer	4	332186
5	Dome Assembly	1	320137
6	#10 X .62 Screw	2	306606
7	Nylon Spacer	2	365084
8	#10-32 X .31 Screw	1	393258
9	#12 Int. Tooth Lockwasher	3	364037
10a	115 Volt, 2 HP Motor	1	389684
10b	230 Volt, 2 HP Motor	1	389692
11	Retainer Cup	1	341932
12a	115 Volt Convenience Outlet	1	341746
12b	230 Volt Convenience Outlet	1	312495
13	Switch Assembly	1	324140
14	#10-24 Hex Nut w/Lockwasher	4	313815
15	#12-14 X 1/2" Screw	6	314595
16	#10-24 X 3/4" Screw	1	337315
17	30 Ft - 16/3 Power Cord	1	306819
18	Strain Relief	1	434299
19	Motor Holddown	1	396559
20	Chimney Gasket	2	387673
21	Purse Lock	1	365483
22	Circle Gasket	1	378607
23	Yellow Wire Connector	4	350648
24	Grounding Wire	1	307440
25a	14" Cover Assembly	1	320110
25b	16" Cover Assembly	1	317888
26	Screw Protector	6	341649