

18" DUAL MOTOR UPRIGHT VACUUM REPLACEMENT PARTS LIST

(For units sold after January, 2001)

18" POWER NOZZLE PARTS LIST

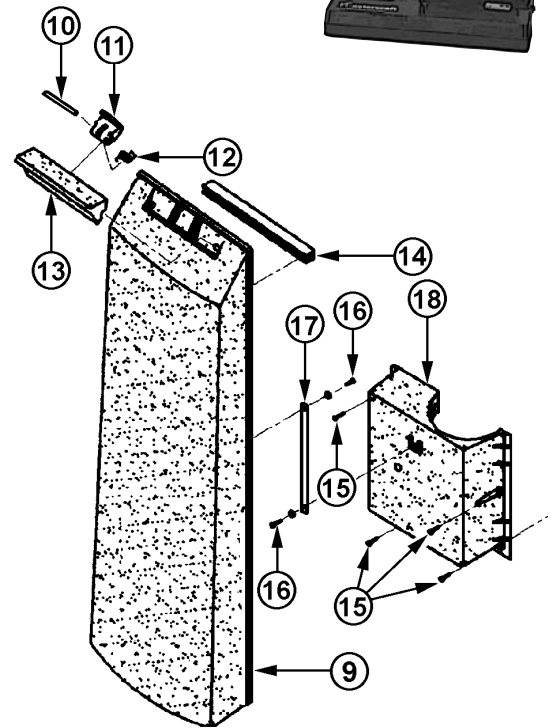
| Ref No | Part Description | Qty | Part No |
|-----------|---|----------|---------------|
| 1 | Grey Brush Cover Assembly <i>(Includes 2 - 9)</i> | 1 | 409197 |
| 2 | Cover Led | 1 | 300551 |
| 3 | Decal Instruction | 1 | 300306 |
| 4 | Gasket | 1 | 300624 |
| 5 | Right Bushing | 1 | 306215 |
| 6 | Left Bushing | 1 | 306207 |
| 7A | Latch | 1 | 301000 |
| 8 | Retaining Plate | 6 | 301124 |
| 9 | 4 X 10 Screw | 3 | 333948 |
| 10 | Small Fiber Washer | 1 | 300632 |
| 11 | 3.5 X 13 Screw | 1 | 333867 |
| 12 | Brush Access Cover | 1 | 301310 |
| 13 | 18" Bumper | 1 | 367516 |
| 16 | Support Bar Assembly <i>(Include 15 - 20)</i> | 1 | 322040 |
| 15 | 5 X 14 Thumb Screw | 2 | 301116 |
| 16 | Ratchet Washer | 4 | 354376 |
| 17 | Fiber Washer | 2 | 433896 |
| 18 | Handle Release Pedal | 1 | 300055 |
| 19 | Spring | 1 | 301868 |
| 20 | Pedal Shaft | 1 | 300217 |
| 21 | Metal Washer | 1 | 306134 |
| 22 | Right Side Screw | 1 | 306193 |
| 23 | 4 X 16 Screw | 8 | 333670 |
| 24 | Steel Washer | 8 | 334480 |
| 25 | Neck Guide Assembly w/Felt | 2 | 335207 |
| 27 | Felt Gasket | 2 | 301094 |
| 28 | Swivel Neck | 1 | 301108 |
| 29 | 4 X 10 Screw | 1 | 333948 |
| 30 | Spring | 1 | 301604 |
| 31 | Brush Roller Assembly <i>(Include 32A - 36)</i> | 1 | 358789 |
| 32A | Left Roller Support Assy | 1 | 321990 |
| 32B | Left Roller Support | 1 | 301213 |

| Ref No | Part Description | Qty | Part No |
|------------|--|----------|---------------|
| 33A | Right Roller Support Assy | 1 | 306231 |
| 33B | Right Roller Support | 1 | 301418 |
| 34 | Brush Bearing | 1 | 301221 |
| 35 | Brush Pulley | 1 | 301191 |
| 36 | 18" Brush Strip | 1 | 394246 |
| 37 | 115V Brush Motor | 1 | 365661 |
| 38 | Carbon Brush w/Holder | 2 | 324973 |
| 39 | Brush Motor Rubber | 2 | 301442 |
| 40 | Brush Motor Foam | 1 | 301450 |
| 41 | Gasket Strip | 2 | 300624 |
| 42 | Motor Pulley | 1 | 301426 |
| 43 | Timing Belt | 1 | 301434 |
| 44 | Electronic Brush Control | 1 | 301493 |
| 45 | Grey Bottom Brush Housing <i>(Includes 46 - 48)</i> | 1 | 402362 |
| 46 | Brush Housing Felt | 1 | 334715 |
| 47 | Switch Housing Felt | 1 | 334723 |
| 48 | 18" Brush Protector Kit | 1 | 367435 |
| 49 | Closed Switch | 1 | 301043 |
| 50 | Cable Lock | 1 | 399825 |
| 51 | Cable w/Plug | 1 | 301523 |
| 52 | Height Adjustment Knob | 1 | 301728 |
| 54A | Rear Wheel Axle Shaft Kit <i>(Includes 54B - 56)</i> | 2 | 306339 |
| 54B | Wheel Axle Shaft | 1 | 301574 |
| 55 | M-3 Spring Washer | 1 | 334472 |
| 56 | M3 X 16 Screw | 1 | 333913 |
| 57 | Rear Wheel | 2 | 301566 |
| 58 | M5 X 40 Screw | 5 | 333883 |
| 59 | 18" Height Adjustment Shaft | 1 | 367443 |
| 60 | Height Adjustment Wheel | 1 | 301582 |
| 61 | Front Wheel Axle | 1 | 367478 |
| 62 | 6mm Starlock | 4 | 434906 |
| 63 | Switch Box | 1 | 301299 |

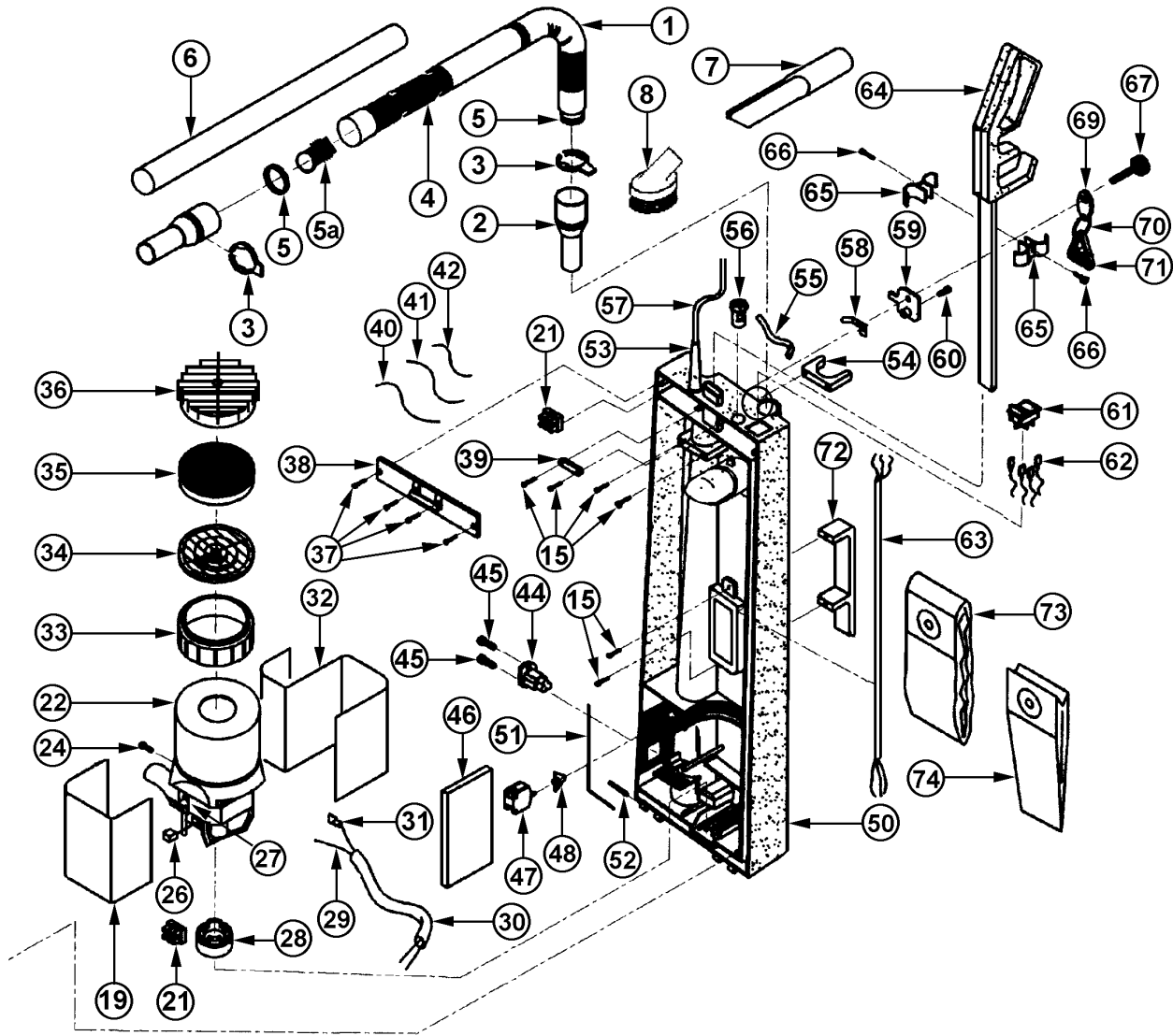
18" UPPER BODY PARTS LIST & DRAWING



| Ref No | Part Description | Qty | Part No |
|------------|--|----------|----------------------|
| 1 | <i>Complete Hose Assembly</i> <i>(Includes 2 - 5A)</i> | 1 | <i>306304</i> |
| 2 | Hose Cuff | 2 | 399558 |
| 3 | Hose Cuff Clip | 2 | 399531 |
| 4 | Stretch Hose | 1 | 306290 |
| 5 | Hose Coupling Felt Seal | 2 | 334618 |
| 5A | Inside Hose End Coupling | 2 | 335126 |
| 6 | Steel Wand | 1 | 399280 |
| 7 | Crevice Tool | 1 | 399574 |
| 8 | Dusting Brush | 1 | 306347 |
| 9 | <i>Complete Cover Assembly</i> <i>(Includes 10 - 14)</i> | 1 | <i>321826</i> |
| 10 | Cover Lock Shaft | 1 | 399868 |
| 11 | Cover Lock | 1 | 399884 |
| 12 | Spring | 1 | 399876 |
| 13 | Cover Latch | 1 | 399566 |
| 14 | Sealing Gasket | 1 | 399914 |
| 15 | 4 X 16 Screw | 11 | 333670 |
| 16 | 3 X 8 Screw | 2 | 335142 |
| 17 | Cover Movement Restraint | 1 | 399930 |
| 18 | Motor Housing Cover | 1 | 300594 |
| 19 | Vacuum Motor Foam | 1 | 300020 |
| 21 | Terminal Block | 2 | 399485 |
| 22A | <i>115V Vacuum Motor Assembly</i> <i>(Includes 22B - 27)</i> | 1 | <i>300543</i> |
| 22B | 115V Vacuum Motor (Only) | 1 | 397113 |
| 24 | 3.5 MM X 9.5 MM Screw | 1 | 335142 |
| 26 | Thermal Cut Out | 1 | 300578 |
| 27 | Carbon Brush (Set of 2) | 1 | 306282 |
| 28 | Bottom Motor Mount | 1 | 300535 |
| 29 | Wire | 1 | 334405 |
| 30 | Sleeve | 1 | 300586 |
| 31 | Slip-On Terminal | 1 | 394041 |
| 32 | Vacuum Motor Foam | 1 | 399833 |
| 33 | Upper Motor Gasket | 1 | 399981 |
| 34 | Motor Filter Grill | 1 | 399973 |
| 35 | Dust Filter | 1 | 399906 |
| 36 | Dust Filter Holder | 1 | 399892 |
| 37 | 3 1/2 X 16 Screw | 4 | 334901 |
| 38 | Connection Cover | 1 | 313742 |
| 39 | Cable Lock | 1 | 399825 |
| 40 | Lead Wire | 1 | 321885 |
| 41 | Lead Wire | 1 | 321893 |
| 42 | Lead Wire | 1 | 321907 |
| 44 | 3-Plug Receptacle | 1 | 300047 |
| 45 | 3 X 8 Metric Screw | 2 | 333867 |



Note: For 230 Volt parts call the manufacturer.



| Ref No | Part Description | Qty | Part No |
|-----------|--|----------|---------------|
| 46 | Filter | 1 | 399841 |
| 47 | Open Switch | 1 | 300489 |
| 48 | Switch Button | 1 | 300322 |
| 50 | Grey Vacuum Body <i>(Includes 51 - 53)</i> | 1 | 438340 |
| 51 | Vacuum Door Gasket | 1 | 300233 |
| 52 | Front Cover Shaft | 2 | 300616 |
| 53 | Strain Relief | 1 | 399442 |
| 54 | Wand Lock | 1 | 399728 |
| 55 | Rubber Tube | 1 | 399345 |
| 56 | Full Bag Indicator | 1 | 399388 |
| 57 | 50 Ft, 115V- 18/3 Line Cord | 1 | 387916 |
| 58 | Anti-Static Line Assembly | 1 | 399752 |
| 59 | Screw Cover | 1 | 399647 |
| 60 | 3.5 X 16 Metric Screw | 1 | 334901 |
| 61 | Double Pole Switch | 1 | 399361 |

| Ref No | Part Description | Qty | Part No |
|------------|---|----------|---------------|
| 62 | Terminals | 4 | 399353 |
| 63 | 3 X 3/4 Cable | 1 | 300284 |
| 64 | Handle Assembly <i>(Includes 65 - 67)</i> | 1 | 321745 |
| 65 | Tool Holder | 2 | 399396 |
| 66 | 4 X 20 Screw | 2 | 334375 |
| 67 | 5M - 8 X 40 Thumb Screw | 1 | 399655 |
| 69A | Cable Holder Kit <i>(Includes 69B - 71)</i> | 1 | 321915 |
| 69B | Cable Holder | 1 | 399663 |
| 70 | Metal Ring | 1 | 399698 |
| 71 | Cord Restraint | 1 | 399701 |
| 72 | Handle | 1 | 399736 |
| 73 | Cloth Shakeout Reusable Bag | 1 | 398616 |
| 74 | Paper Filter Bags (5/Pk) | 1 | 398942 |

18" POWER NOZZLE DRAWING

