

# 14" DUAL MOTOR UPRIGHT VACUUM REPLACEMENT PARTS LIST

(Revise A - September, 2004)



## 14" POWER NOZZLE PARTS LIST

<i>Ref No</i>	<i>Part Description</i>	<i>Qty</i>	<i>Part No</i>
1	Support Body Assembly	1	213861
2	Small Fiber Washer	1	300632
3	MM4 X 10 Screw	1	333948
4	Brush Access Cover	1	301310
5	Brush Cover Assembly	1	213888
6	14" Bumper	1	301787
7	Brush Roller Assembly	1	213896
8	Brush Strip	1	301337
9	M4 X 10 Screw	4	333670
10	Bottom Brush Housing	1	408859
11	Timing Belt	1	16.0024.0
12	Brush Motor	1	461490
13	Power Cord w/Plug	1	447587
14	M4 X 10 Screw	2	333670
15	M4 X 10 Screw, Left	2	333948
16	Swivel Neck Left Assembly	1	335207
17	Swivel Neck	1	301108
18	Swivel Neck Right Assembly	1	213918
19	Height Adjustment Knob	1	301728
20	Closed Switch	1	301043
21	Spring	1	301604
22	M4 Steel Washer	2	334480
23	M4 X 10 Screw	2	333670
24	Fixing Plate	4	301124
25	Electronic Brush Board	1	351822
26	Wheel Axle Shaft	1	213926
27	M4 X 16 Screw	2	333670
28	Rear Wheel	2	301566
29	Retainer Clip	2	447625
30	Height Adjustment Shaft	1	306312
31	Height Adjustment Caster	1	475556
32	6M Starlock Palnut	2	434906
33	M4 X 10 Screw	2	333948
34	Fixing Plate	2	301124
35	M5 X 40 Screw	5	333883

# 14" UPPER BODY PARTS LIST



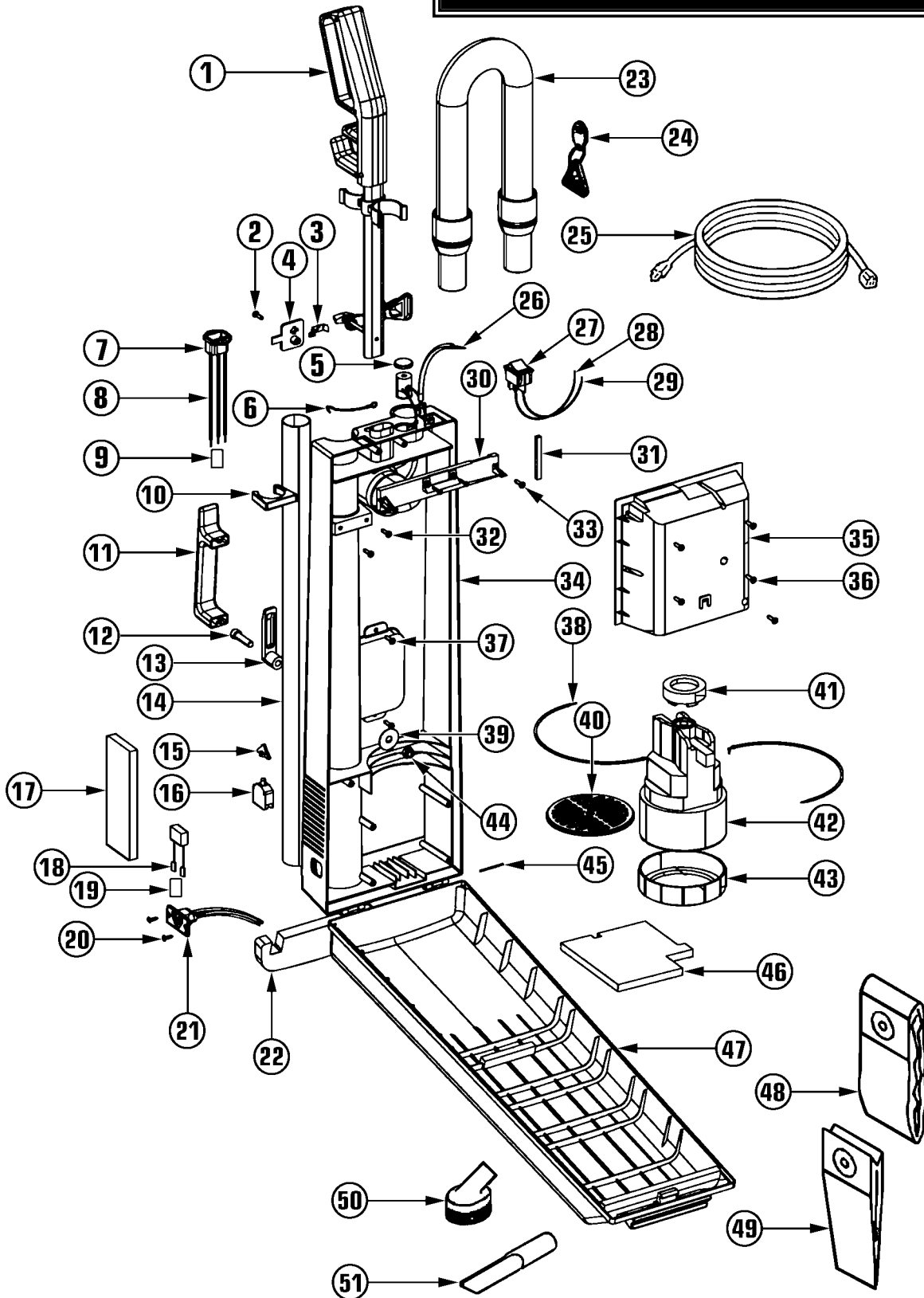
(Revise A - September, 2004)

<i>Ref No</i>	<i>Part Description</i>	<i>Qty</i>	<i>Part No</i>
1	Handle Assembly	1	475920
2	M4 X 16 Screw	1	336670
3	Anti Static Line Assembly	1	399752
4	Cover	1	399647
5	Full Bag Indicator Cover	1	312934
6	Anti Static Wire	1	213942
7	3 Prong Receptacle	1	475599
8A	White Wire	1	475610
8B	Black Wire	1	475629
8C	Grey/Yellow Wire	1	475637
9	Connection Bracket	1	475645
10	Yellow Wand Lock	1	475653
11	Lift Handle	1	399736
12	M4.2 X 13 Hex Screw	1	475661
13	Cable Hook	1	475688
14	Steel Wand	1	399280
15	Switch Button	1	300322
16	Switch	1	300489
17	Filter	1	399841
18	Suppressor w/Terminals	1	475696
19	Block Terminal	1	213950
20	M3.5 X 13 Screw	2	300039
21	3 Pole Receptacle	1	445622
22	Flat Gasket	1	457507
23	Stretch Hose	1	213969
24	Cable Holder Kit	1	321915
25	50 Ft Yellow Line Cord	1	458082

<i>Ref No</i>	<i>Part Description</i>	<i>Qty</i>	<i>Part No</i>
26	Main Harness Wire	1	475858
27	Switch w/Green Light	1	475718
28	Black Wire	1	475629
29	White Wire	1	475610
30	Connection Cover Assembly	1	313742
31	Gasket	1	475742
32	M4X 16 Screw	2	333670
33	M8.5 X 16 Screw	4	334901
34	Back Vacuum Body	1	475912
35	Motor Housing Cover	1	300594
36	M4 X 16 Screw	5	333670
37	M4 X 16 Screw	2	333670
38	Black Wire	2	475769
39	M8 X 30 Washer	1	475777
40	Motor Filter Grill	1	399973
41	Motor Block Mount	1	475750
42	115V Vacuum Motor	1	475823
43	Upper Motor Gasket	1	399981
44	M8 Steel Locknut	1	378534
45	Cover Shaft	1	300616
46	Vacuum Motor Foam	1	399833
47	Front Cover Assembly	1	321826
48	Cloth Shakeout Bag (Optional)	1	398616
49	Paper Filter Bag (5/Pk)	1	398942
50	Dusting Brush	1	306347
51	Crevice Tool	1	399574

**Note:** For 230 Volt parts call the manufacturer.

# 14" UPPER BODY DRAWING



# 14" POWER NOZZLE DRAWING

