

# **SAFETY, OPERATION MANUAL & PARTS LIST**



****

**DYN-1220**

**CONTINUOUS DUTY**

**DRY VACUUM**

This unit is intended for commercial use.

**READ & FOLLOW ALL  
INSTRUCTIONS, WARNINGS & CAUTIONS  
BEFORE USING THIS VACUUM.**

## **PLEASE READ CAREFULLY BEFORE OPERATING**

This vacuum will afford you many years of trouble-free operating satisfaction, provided it is given proper care. All parts have passed rigid quality control standards prior to their being assembled to produce the finished product. Prior to packaging, your vacuum was again inspected for assurance of flawless assembly.

This vacuum is protectively packed to prevent damage in shipment. We recommend that upon delivery, unpack the vacuum and inspect it for any possible damage. Only a visual examination will reveal damage that may have occurred.

If damage is discovered, immediately notify the transportation company that delivered the vacuum.

As a shipper, we are unable to report any claim for damage. You must originate any claim within 5 days.

This manual is for your protection and information. **PLEASE READ CAREFULLY** since failure to follow precautions could result in discomfort or injury. Read this manual completely before operating this vacuum. It is important to follow the instructions in the manual to prevent the possibility of injury or damage to the user and/or vacuum.

Treat your vacuum cleaner as you would any other high grade precision made product. Dropping, unreasonable bumping across thresholds and other misuses may result in a damaged unit that will not be covered by warranty.

**SAVE THESE INSTRUCTIONS**

# IMPORTANT SAFETY INSTRUCTIONS

## WARNING:

To Reduce the Risk of Fire, Electric Shock or Injury:  
Electric shock could occur if used on wet surfaces.  
DO NOT expose to rain. Store indoors.

When using this vacuum basic precautions should always be followed, including the following:

- 1) DO NOT leave the vacuum when plugged in. Unplug from the outlet when not in use and before servicing.
  - 2) This Vacuum is designed for intermittent use, i. e. not more than 2 hours continuously. If you are unsure about your application consult your dealer.
  - 3) This is NOT a toy. Close attention is necessary when used around or near children.
  - 4) Use only as described in this safety manual. Use only manufacturer's recommended attachments and accessories.
  - 5) DO NOT use this vacuum with a damaged cord or plug. If the vacuum is not working as it should, because it has been dropped, damaged, left outdoors or dropped into water, contact an authorized service center or factory.
  - 6) DO NOT unplug the vacuum by pulling on the cord. To unplug, grasp the plug, not the cord.
  - 7) DO NOT pull or carry by the cord, use cord as a handle, close a door on cord, or pull cord around sharp edges and corners. DO NOT run vacuum over cord. Keep cord away from heated surfaces.
  - 8) DO NOT handle the vacuum's plug with wet hands.
  - 9) Keep hair, loose clothing, fingers, and all parts of the body away from openings and moving parts.
  - 10) DO NOT put any objects into openings. DO NOT use with any opening blocked; keep free of dust, lint, hair and anything that may reduce air flow.
  - 11) DO NOT pick up anything that is burning or smoking, such as cigarettes, matches, or hot ashes
  - 12) DO NOT use without the cloth filter assembly in place.
  - 13) DO NOT use the vacuum for removal of liquids or any volatile viscous, flammable or explosive media or use in areas where they may be present.
  - 14) DO NOT use where anesthetics and oxygen are used.
  - 15) Turn OFF all the controls before unplugging
  - 16) DO NOT use an extension cord unless absolutely necessary. If an extension cord is used, then wire size must be #12 or larger and should not exceed 50 feet in length. The extension cord must be a three-wire type to insure grounding protection.
  - 17) Replace damaged or worn parts immediately with genuine original equipment parts to maintain safety and to protect your limited warranty.
- This vacuum must be connected to a properly grounded outlet only. (See grounded instructions)
- When not in use the power cord should be wrapped around the handle for storage.

## INTENDED USE OF THIS VACUUM

This vacuum has been specifically designed to clean up concrete dust. Special filters reduce the incidence of airborne dust that would be created by other methods of cleaning.

**DO NOT** at any time attempt to substitute, remove, bypass filters in the vacuum.

**CAUTION:** A dust mask should be worn when changing the filters.

When installing a new filter use only the manufacturer's approved vacuum filter.

Before attempting to use or before cleaning with this vacuum, be sure that you fully understand the instructions for installing or cleaning the filter.

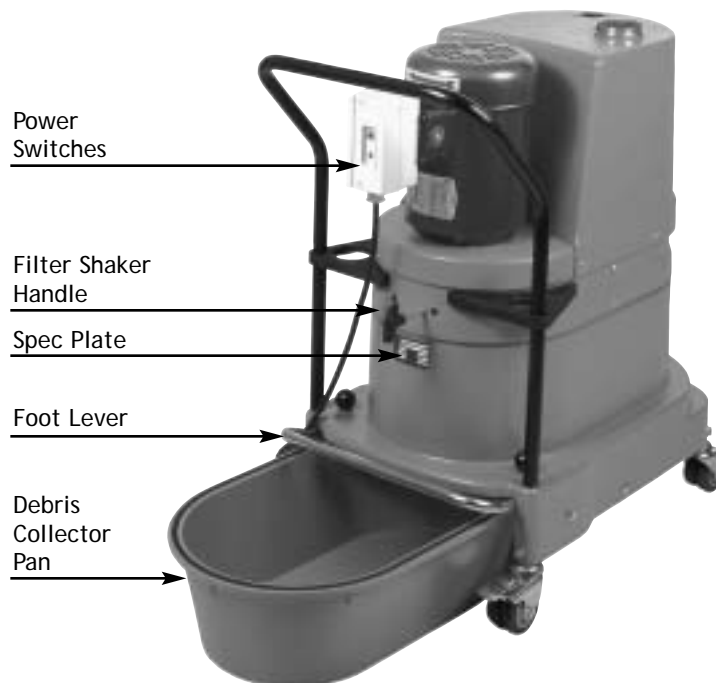
**DO NOT** use this unit until the owner's manual has been read. Improper use could cause damage to the vacuum or special filters employed.

## OPERATION INSTRUCTIONS

### CAUTION:

The electrical service at the installation site **MUST** supply the voltage indicated on the vacuum's spec plate. Operating at an incorrect voltage may damage the machine.

**NOTE:** A qualified electrician in accordance with the National Electric Code and all local codes should perform all wiring and/or electrical adjustments during installation and servicing.



1) Pull up on the foot level to release the dustpan.

2) Check to see that the debris collector pan is completely empty. Empty the pan if necessary and replace.

3) Plug the vacuum to the proper power source, as indicated on the spec plate.

4) Push **ON** the power switches **ONE AT A TIME**.

5) After each use, shake the filter using the filter shaker handle and empty the debris collector pan.

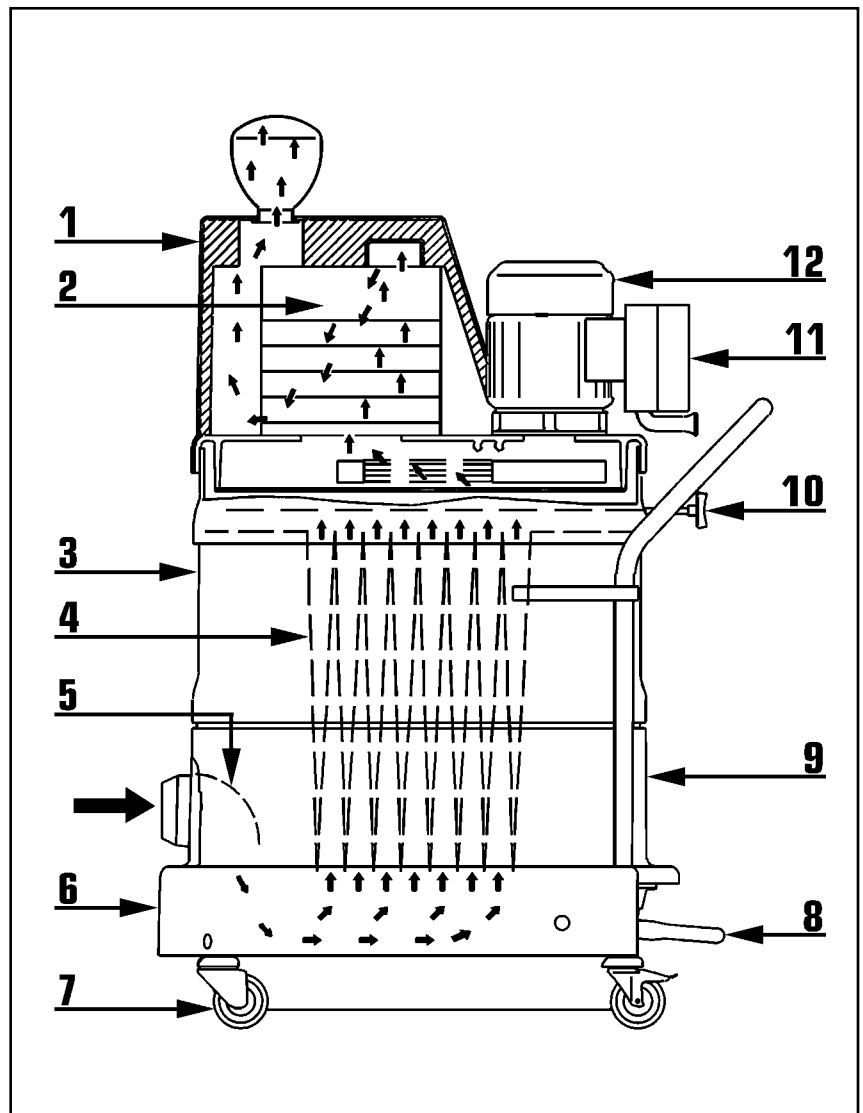
### CAUTION:

**NEVER** operate the vacuum cleaner without the filter assembly properly installed. Motor damage, lose of operating efficiency and re-circulation of material into the work area will take place.

# INNOVATIVE MODULAR DESIGN

The filter system in this vacuum is a super-long life, oversize, single-element primary filter that is 99.9% efficient @ 0.5 micron. In normal operation with periodic cleaning the filter may never need replacing for the life of the vacuum.

- 1) **Sound Suppression**  
Inclusive for quiet operation
- 2) **Maxflo Turbine**  
Multistage with relief valve
- 3) **Modular Oval Construction**  
Gives maximum design flexibility
- 4) **Long Life Filters**  
Oversized for outstanding micro-particle capture
- 5) **Cast Deflector**  
Knock materials out of the airstream
- 6) **Tip Resistant Bases**  
Counterbalanced with low level hose inlets
- 7) **Heavy Duty Casters**  
Two Front Swivel  
Two Rear Locking
- 8) **Collector Pan**  
Lever actuated for easy emptying
- 9) **Compression Cast Composite**  
Fiberglass reinforced carbon impregnated, static dissipating-electrically insulating ( $10^{-6}$  ohms resistant)
- 10) **External Shaker**  
Manual control for cleaning filters
- 11) **Starter**  
with overload protection
- 12) **TEFC Motors**  
for continuous 24/7 operation



# **CLEANING/INSPECTION FILTER & DEBRIS PAN**

## **CAUTION:**

Clogged material **MUST** only be removed by hand.  
**DO NOT** use an object to dislodge material may tear the filter.  
Consult your representative if material blockage is excessive.

- 1) Turn **OFF** the vacuum.
- 2) Knock debris off the filter using the filter shaker handle.
- 3) Pull up on the foot lever to release the debris collector pan. Remove and empty if necessary.
- 4) Lock the rear casters.
- 5) Carefully tip vacuum back onto the push handle.
- 6) Remove any material that has collector between the filter pleats, by hand **ONLY**.
- 7) Inspect the filter pleats tears and material blockage.
- 8) Carefully tip the vacuum back onto the casters and replace the debris collector pan.

# **FILTER REMOVAL**

## **CAUTION:**

A dust mask should be worn when changing the filters.

- 1) Follow the filter inspection procedure to determine if removal is necessary.
- 2) Turn the machine **ON** then block the inlet with a flat and rigid material to place the machine under vacuum pressure.
- 3) Remove screws from the filter housing with a 5/32 hex-wrench.
- 4) Turn the vacuum **OFF** and disconnect the power source.
- 5) Separate the motor deck from the housing then disconnect the motor deck ground wire from the subsequent assembly via the push-on terminal.
- 6) Remove the motor deck.
- 10) Inspect the top of the filter for material.  
**NOTE:** The presence of material in this area or in the exhaust is often the result of a misaligned seal or damaged filter. Consult your representative if either is the case.
- 11) Remove the filter housing spacer assembly making sure to disconnect the ground wire via push on terminal.
- 12) Turn the filter housing spacer assembly over on a table then carefully work the filter off the filter shaker insert.

# **FILTER INSTALLATION**

- 1) Turn the filter housing spacer assembly over on a table then fit the filter over the filter shaker insert.
- 2) Make sure each pleat is fully supported and the ground wire is on the filter side of the assembly.
- 3) Connect the filter housing spacer assembly ground wire to the base via the push-on terminal.
- 4) Seat the filter housing spacer assembly on the base oriented as it was removed.
- 7) Connect the motor deck ground wire to the preceding assembly then seat the deck on the preceding housing spacer.
- 9) Turn the machine **ON** and block the inlet with a flat and rigid material to place the machine under vacuum pressure.
- 10) Secure all of the housing-components then turn the machine **OFF**.

## **MOTOR BRUSH INSPECTION**

- 1) Turn the Vacuum OFF and disconnect the power source.
- 2) Remove the motor deck socket truss screws.
- 3) Remove the silencer hood assembly.
- 4) Remove the 4 metal motor-cap retaining clips using a standard bit screwdriver.
- 5) Carefully dislodge the plastic motor cap via the built-in hooks on both sides of each motor brush using a standard screwdriver.  
**Note:** Dislodge one side of a cap first, then the other.
- 6) Remove the motor brush retainers via the 2 phillips screws per brush.
- 7) Remove each of the brushes and inspect for excessive or uneven wear.  
**NOTE:** A brush should be replaced if its length is less than 0.25 inches.
- 8) Reverse the procedure to install each brush.
- 9) Replace the silencer hood making sure the switch mount fits into the slot in the silencer hood.
- 10) Secure the silencer hood with the 4 socket truss screws.

## **WARRANTY & REGISTRATION**

We warrantee to the original purchaser this vacuum cleaner against defects in material and workmanship for a period of 1 year, motor and fiberglass tank 2 years from the date of delivery. Please note the following conditions pertaining to this warranty.

- 1) Applies only to the original owner and is not transferable.
- 2) Machine will not have been dismantled or tampered with in any way.
- 3) Normal wear items will be warranted from manufacturing defects for up to 90 days from date of purchase including the following items, but not limited to:

Accessories; Belts; Bearings; Capacitors; Carbon Brushes; Casters; Electric Cords; Finishes; Filters; Floats; Switches; and the like.

4) This warranty does not apply to any repair arising by reason of misuse, neglect, abuse, or to proprietary parts.

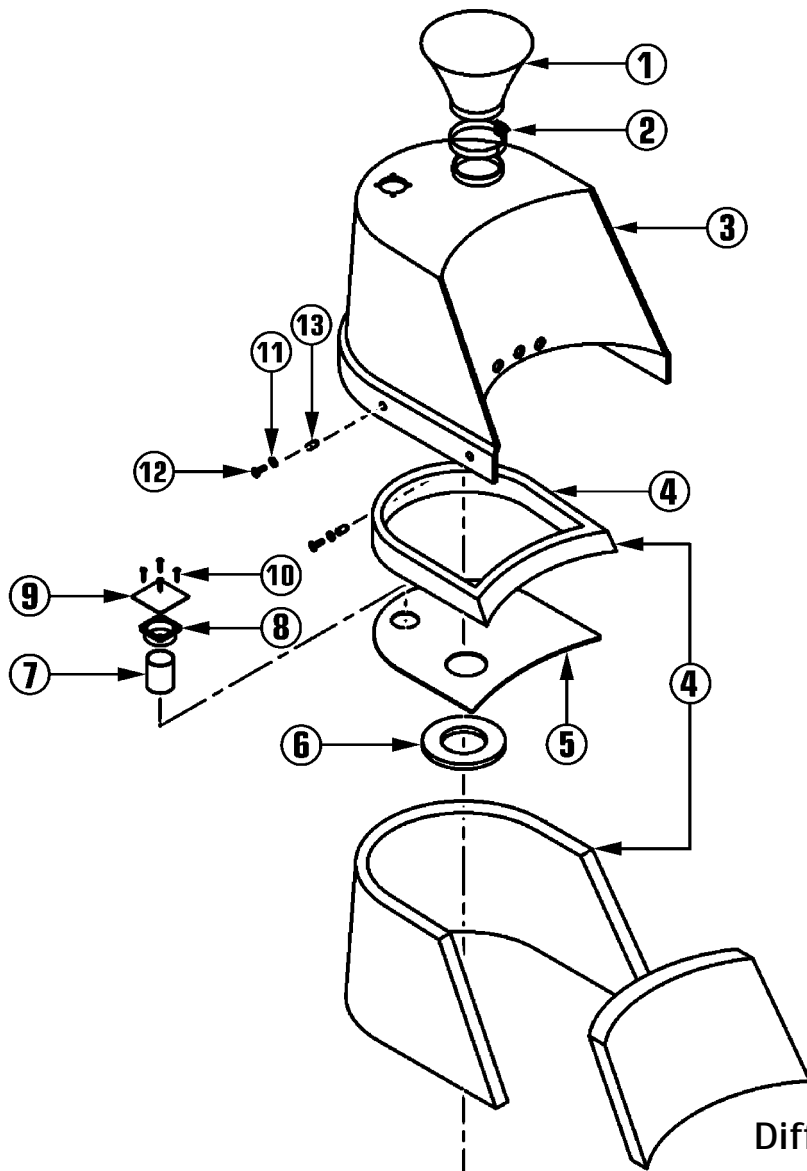
5) This warranty is in lieu of and excludes every condition or warranty not herein expressly set out and all liability for any form of consequential loss or damage is hereby expressly excluded.

6) This Warranty is limited to repair or replacement of covered components and reasonable labor expenses.

### **Warranty Registration:**

It is purchaser's responsibility to fill out the warranty card included in the manual package and mail it to Onfloor®. This will register your purchase and start your warranty. Failure to send us this card in one week upon receipt of the machine may void the warranty.

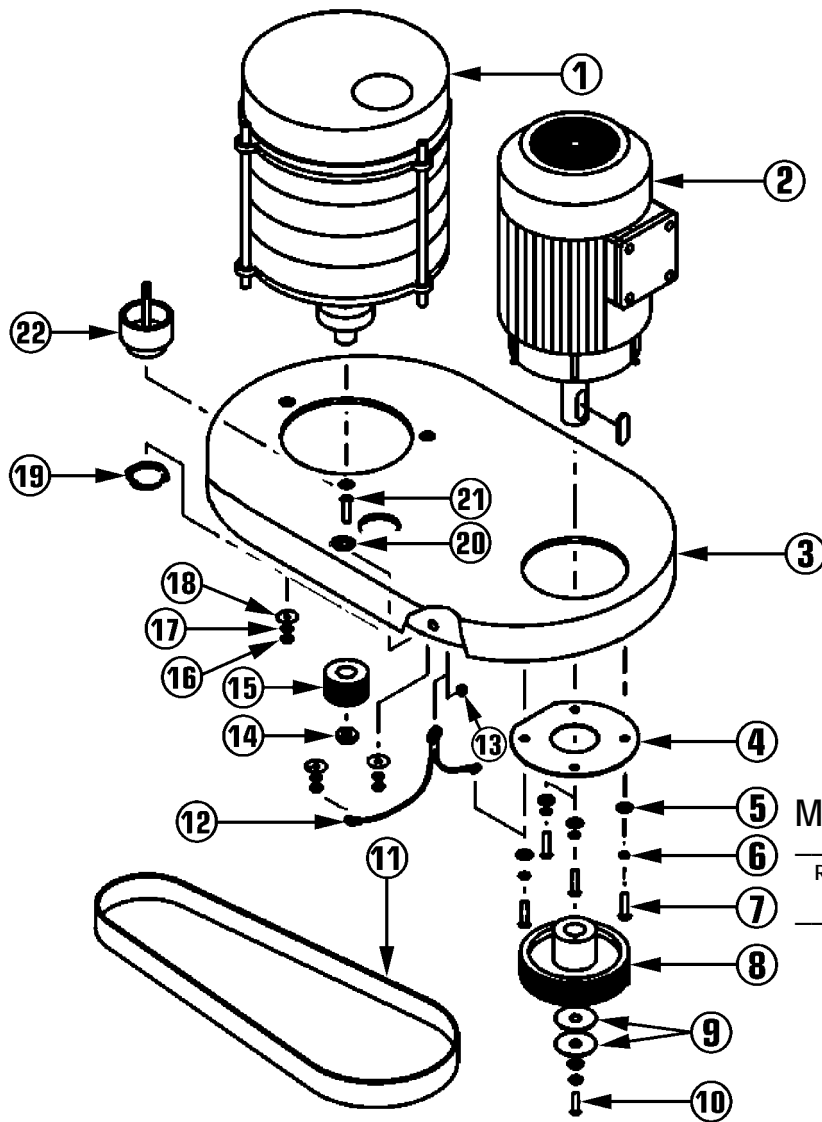
# PARTS DRAWING AND PARTS LIST



Diffuser Lid Assembly

Ref No	Part Description	Qty	Part No
1	Red Diffuser Bag	1	463795
2	1- <sup>1</sup> / <sub>8</sub> " to 3" Hose Clamp	1	463809
3	Blue Exhaust Silencer Hood	1	232998
4	Silencer Hood Foam	1	3286204
5	Diffuser Lid Plate	1	463868
6	Neoprene Sponge Gasket	1	233005
7	2.0 x .035 Vacuum Tube	1	463906
8	Flange Adapter	1	463914
9			
10	#8 X 1 Phil Truss Head	4	464147
11	<sup>1</sup> / <sub>4</sub> " Star Washer	4	464104
12	M6 x 30, 8.8 Allen Head Screw	4	463841
13	M6 Blind Pem	4	463825

# PARTS DRAWING AND PARTS LIST



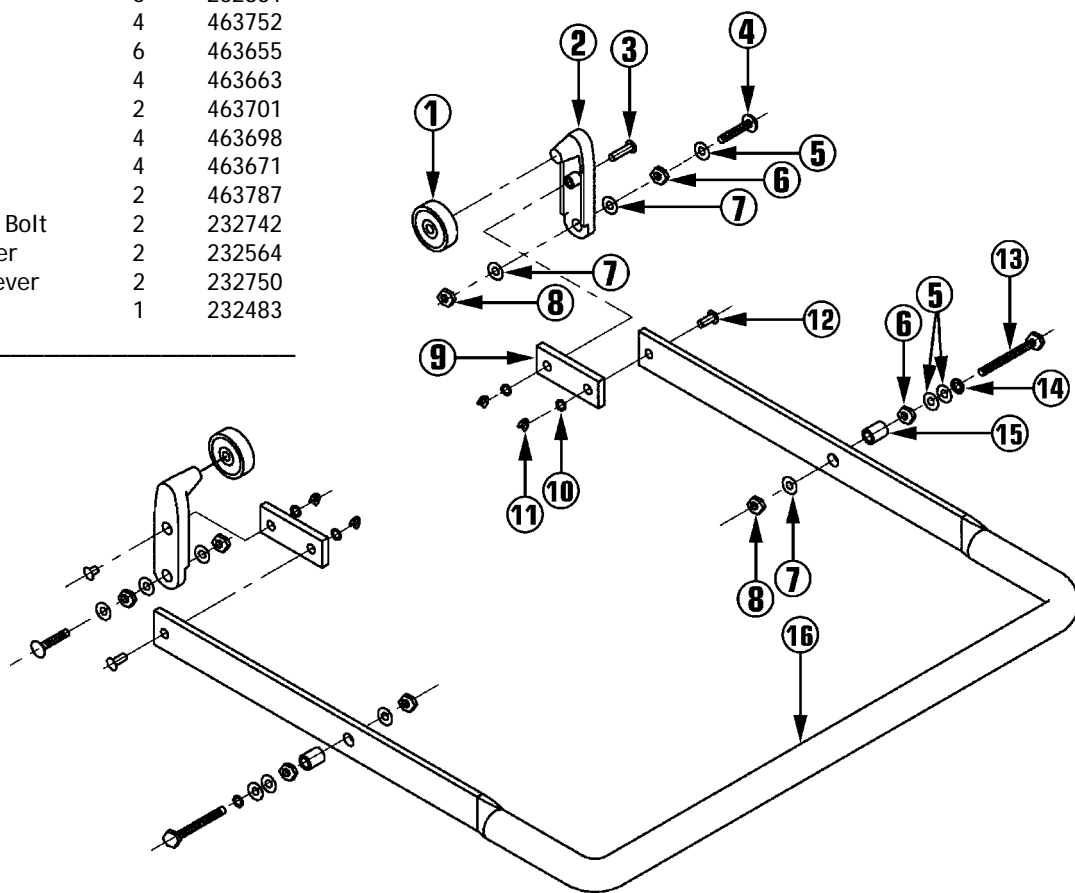
## Motor Deck Assembly

Ref No	Part Description	Qty	Part No
1	1.5KW NTB Turbine	1	472530
2	3 HP, 2.2KW, 3 Phase Motor	1	233013
3	DS1 Blue Motor/Turbine Deck	1	233021
4	Motor Support Plate	1	233048
5	M8 Flat Washer	5	232831
6	M8 Lock Washer	5	464031
7	M8 x 25 Hex Bolt	4	232580
8	125MM, 2-3 HP, Poly-V 10 Sheave	1	233161
9	5/16 x 1.5 Fender Washer	2	233188
10	M8 x 30MM Hex Bolt	1	233196
11	330J, 10 Groove, Poly-V Belt	1	463922
12	Ground Wire	1	233218
13	M6 Lock Nut	1	464090
14	Left Handed Nut For Turbines	1	233234
15a	2.2-4.0, 10 Groove, Poly-V Sheave	1	233056
15b	48MM, 10 Groove, Poly-V Pulley	1	233242
16	M6 Hex Nut	3	232513
17	M6 Split Lock Washer	3	464023
18	1/4 Fender Washer	3	233226
19	1-1/2" Lock Nut	1	233293
20	Ground Connection	1	232904
21	M6 x 20 Allen Head Screw	1	464155
22	1.5" Adjustable Relief Valve	1	233285

# PARTS DRAWING AND PARTS LIST

## Dust Pan Lever Assembly

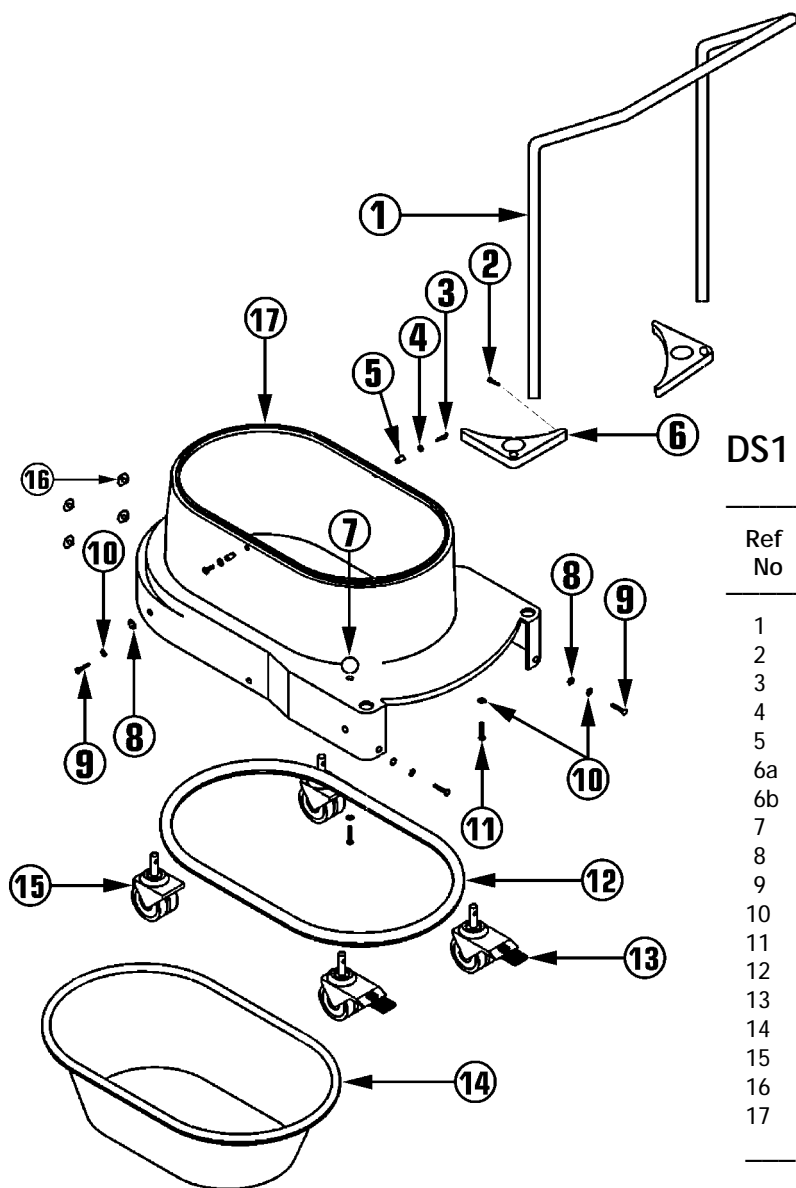
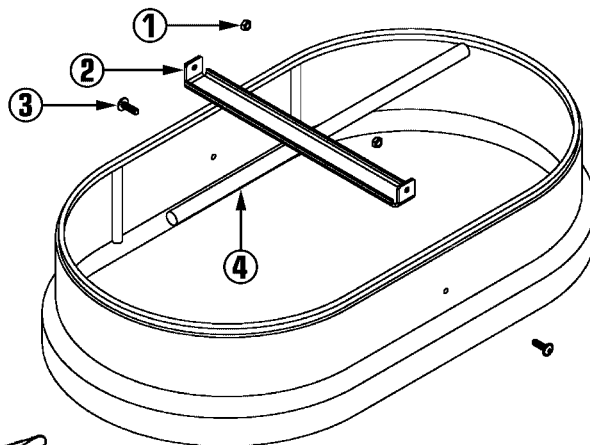
Ref No	Part Description	Qty	Part No
1	Dust Pan Lever Bearing	2	463728
2	Dust Pan Tension Lever	2	463736
3	D6 x 19MM Pin	2	463744
4	M8 x 35 Carriage Screw	2	463779
5	M8 Flat Washer	6	232831
6	M8 Hex Nut	4	463752
7	M8 Flat Washer	6	463655
8	M8 Lock Nut	4	463663
9	Flat Steel Pivot	2	463701
10	M6 Flat Washer	4	463698
11	C Spring Clip	4	463671
12	D6 x 15 Pin	2	463787
13	X 55 - 8.8 M8 Hex Bolt	2	232742
14	M8 External Washer	2	232564
15	Spacer for Foot Lever	2	232750
16	Foot Lever	1	232483



# PARTS DRAWING AND PARTS LIST

## Shaker Support Assembly

Ref No	Part Description	Qty	Part No
1	M6 Lock Nut	2	464090
2	DS1/W2 Filter Bar Support	1	464163
3	M6 x 20 Allen Head Screw	2	464155
4	Slide Bar	1	463957



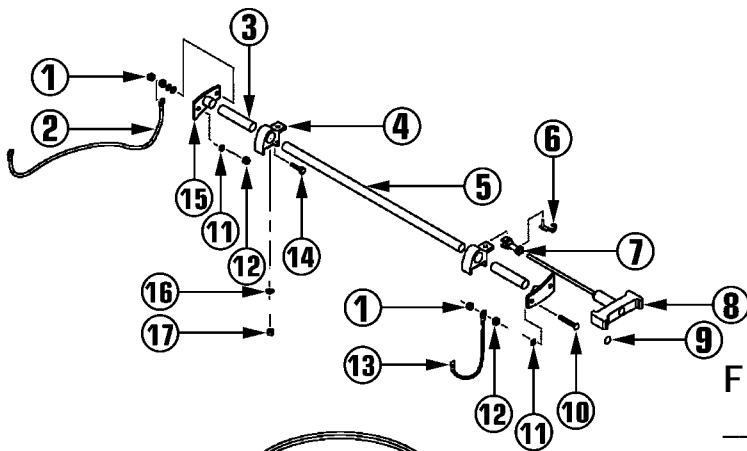
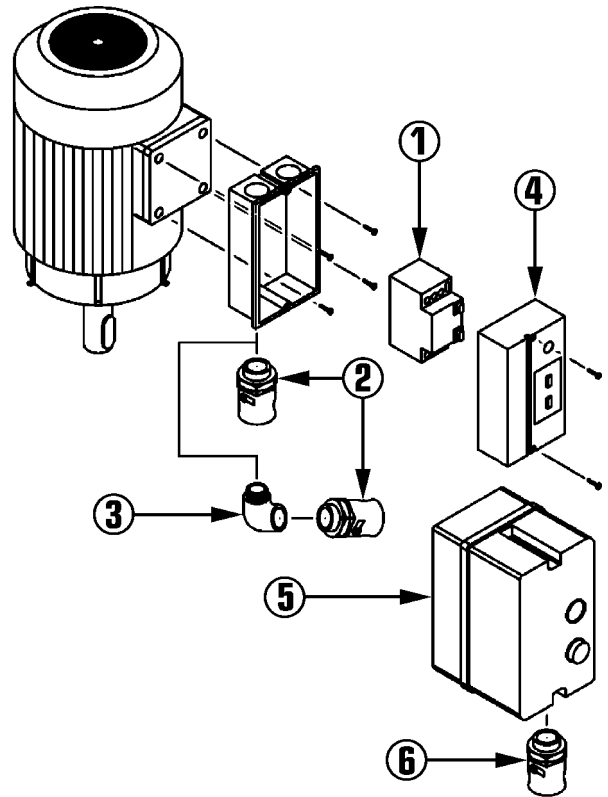
## DS1 Base Assembly

Ref No	Part Description	Qty	Part No
1	D1/W2 Push Handle	1	472522
2	#8 x 1 Phil Truss Head	4	464147
3	M6 x 25 Allen Head Screw	2	464112
4	1/4" Star Washer	2	464104
5	M6 Blind Pem	2	463825
6a	Plastic Handle Support	2	464171
6b	DS1 Aluminum Handle Support	2	34809
7	8MM Black Knob	2	232629
8	M8 Flat Washer	4	232831
9	M8 x 25 Hex Bolt	4	232580
10	M8 Washer	6	232564
11	M8 1.25 x 20 Hex Cap	2	232572
12	20 x 15MM Gasket	1	232521
13	75MM Fixed Dual Casters w/Stud	2	232637
14	35LTR Blue Dust Pan	1	232769
15	75MM Double Swivel Casters	2	475572
16	8MM Black Plug	4	232556
17	Blue Lower Housing	1	232939

# PARTS DRAWING AND PARTS LIST

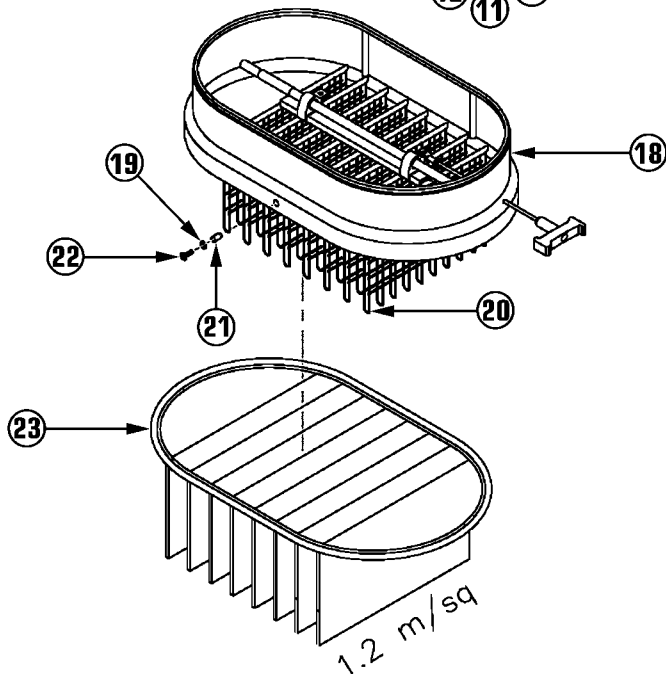
## Motor Starters

Ref No	Part Description	Qty	Part No
1	4 - 6.3 AMPS Manual Starter	1	233307
2	PG-11 Cable Grip w/Kink Protection	1	233366
3	90 PG-16, Poly Elbow	1	233315
4	Switch Box For Manual Starters	1	472549
5	16AMP, 460V Motor Starter Switch	h1	472557
6	PG-16 Cable Grip w/Wire Clamp	1	233323



## Filter Assembly

Ref No	Part Description	Qty	Part No
1	M6 Lock Nut	2	464090
2	1.2 Filter Ground Deflector	1	232815
3	3/4 ID Clear Hose	2	463949
4	Slide Assembly w/Hook	2	464058
5	Slide Bar	1	463957
6	6 x 12 Spring Clip	1	463973
7	Steel Yoke End	1	463965
8	Shaker Bar w/Swivel Handle	1	463981
9	4.5/13 Plastic Plug	4	464007
10	M6 x 30 Allen Screw Countersunk	4	464015
11	M6 Split Lock Washer	4	464023
12	M6 Hex Nut	4	232513
13	Ground Shaker to Motor Deck	1	464082
14	M8 1.25 x 20 Hex Cap	1	232572
15	Shaker Rod Mounting Support	2	463930
16	M8 Lock Washer	1	464031
17	N8 Hex Nut	1	463752
18	Blue Small Housing Spacer	1	232955
19	1/4" Star Washer	2	464104
20	1.2 Filter Screen Insert	1	232599
21	M6 Blind Pem	2	463825
22	M6 x 25 Allen Head Screw	2	464112
23	1.2 M2 13SQ/FT Filter	1	458864



# **TROUBLE SHOOTING GUIDE**

## **CAUTION:**

Always disconnect power cord before servicing the vacuum.

### **PROBLEM: Insufficient Vacuum Pressure.**

#### **POSSIBLE CAUSE:**

1. Motors are not **ON** and/or working.
2. Dustpan improperly seated.
3. Filter clogged or improperly seated.
4. Clogged hose.
5. Unit is improperly sealed.

#### **POSSIBLE SOLUTION:**

1. Turn motors **ON**, and check motor brushes
2. Remove collection pan, inspect seal, and replace.
3. Follow filter inspection/cleaning procedure (page 6).
4. Remove hose and re-inspect vacuum pressure, if vacuum pressure returns to normal, snake hose.
5. Block the inlet with a flat and rigid material to place the unit under vacuum pressure then inspect for air leaks.

### **PROBLEM: Air Leak**

#### **POSSIBLE CAUSE:**

1. Worn or poorly seated seals, retainers improperly installed

#### **POSSIBLE SOLUTION:**

1. Block the inlet with a flat and rigid material to place the unit under vacuum pressure then remove retainers and turn the unit **OFF**. Inspect the seals for completeness, then reseal and secure components again under vacuum pressure.

### **PROBLEM: Material In Exhaust On Top Side of Filter.**

1. Poor filter seal or torn filter.

1. Follow filter inspection procedure on pg 6.

### **PROBLEM: Unusual or High Pitched Noises**

1. Motor bearings or motor bushings.
2. Worn or poorly seated seals. Retainers improperly installed

1. Follow relevant motor bushing inspection procedure, pg 6. Check motor bearings for noise by hand.
2. Block the inlet with a flat and rigid material to place the unit under vacuum pressure then remove retainers and turn the unit **OFF**. Inspect the seals for damage, then reseal and secure components again under vacuum pressure.

## **WARNING:**

Repairs should only be performed by an authorized service center.



Address: 777 South Street, P.O. Box 2310, Newburgh, New York 12550-0606  
TEL: 877.356.6703 / 845.565.6623 / FAX: 845.565.8894  
Internet Address: [www.onfloor.com](http://www.onfloor.com) / [info@onfloor.com](mailto:info@onfloor.com)