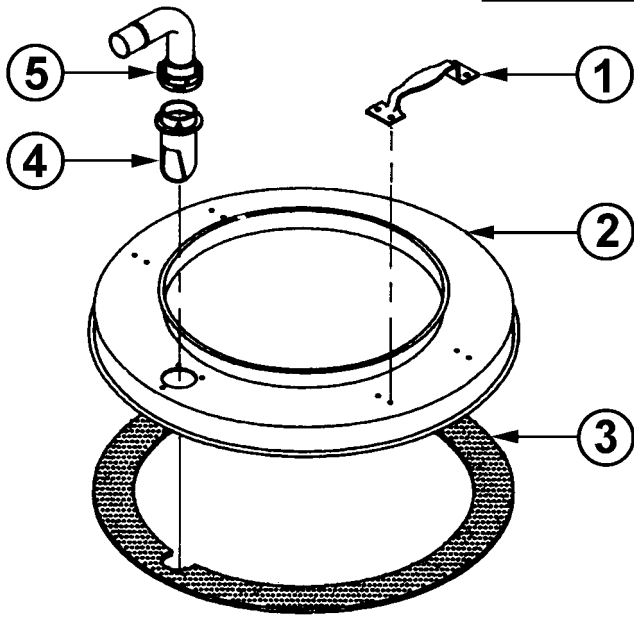


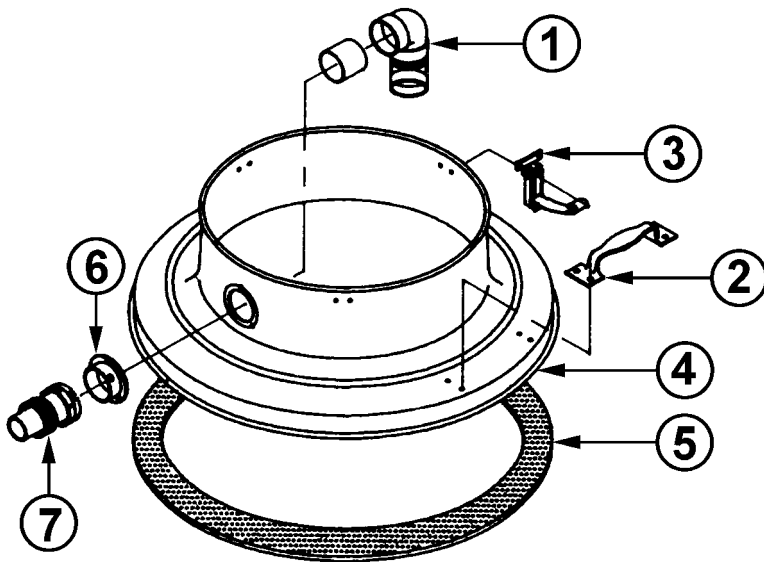
# DRUM ADAPTOR, DRY FILTERS & WET ADAPTOR REPLACEMENT PARTS LIST



**3003  
ADAPTOR**

(FITS 55 GALLON DRUM)

Ref No	Part Description	Qty	Part No
1	Lift Handles	2	305502
2	Adaptor Ring	1	347353
3	Gasket	1	320560
4	Inlet Fitting	1	356298
5	Elbow Hose Connector	1	341983



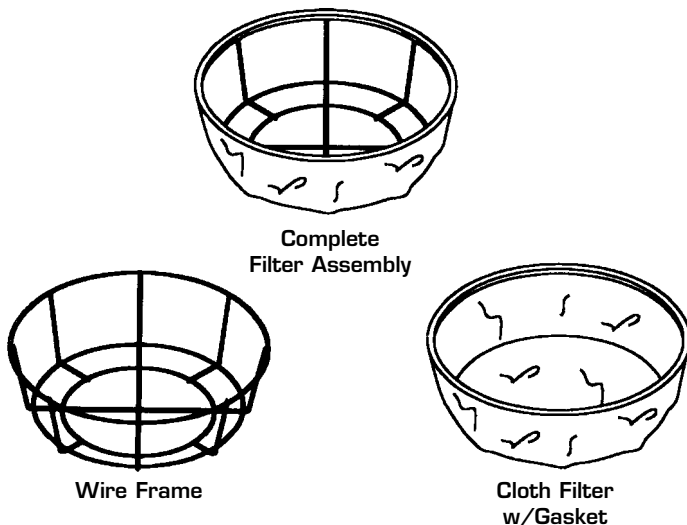
**3005  
ADAPTOR**

(FITS 35 - 65 GALLON DRUMS)

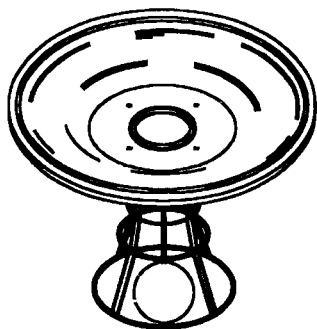
Ref No	Part Description	Qty	Part No
1	Elbow Divertor Assembly	1	350613
2	Lift Handles	2	305502
3	Holdown Clamps	3	358312
4	Drum Adaptor w/o Hardware	1	350524
5	Gasket	1	350559
6	Ext Fitting Assembly	1	350575
7	2" Hose Connector	1	360473

# 16" DRY FILTER ASSEMBLY

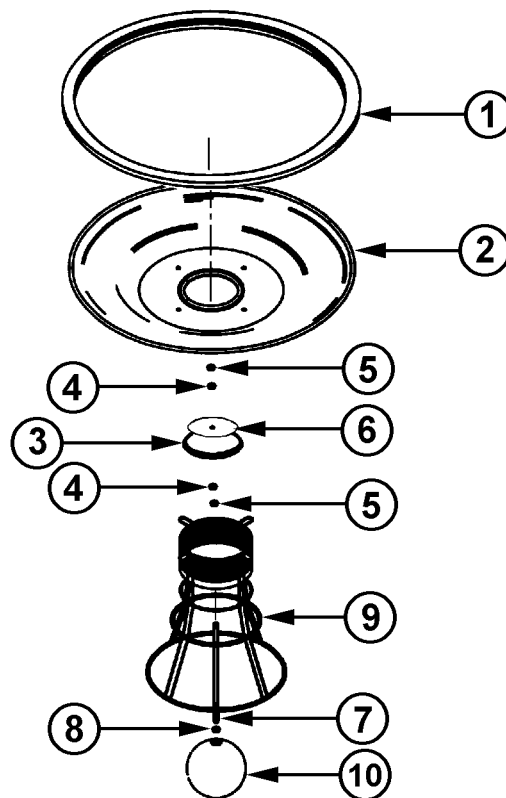
Part Description	Qty	Part No
Complete Dry Filter Assembly	1	306444
Cloth Filter w/Gasket	1	306479
Wire Filter Frame Only	1	304107



# 16" WET PICK-UP ADAPTOR

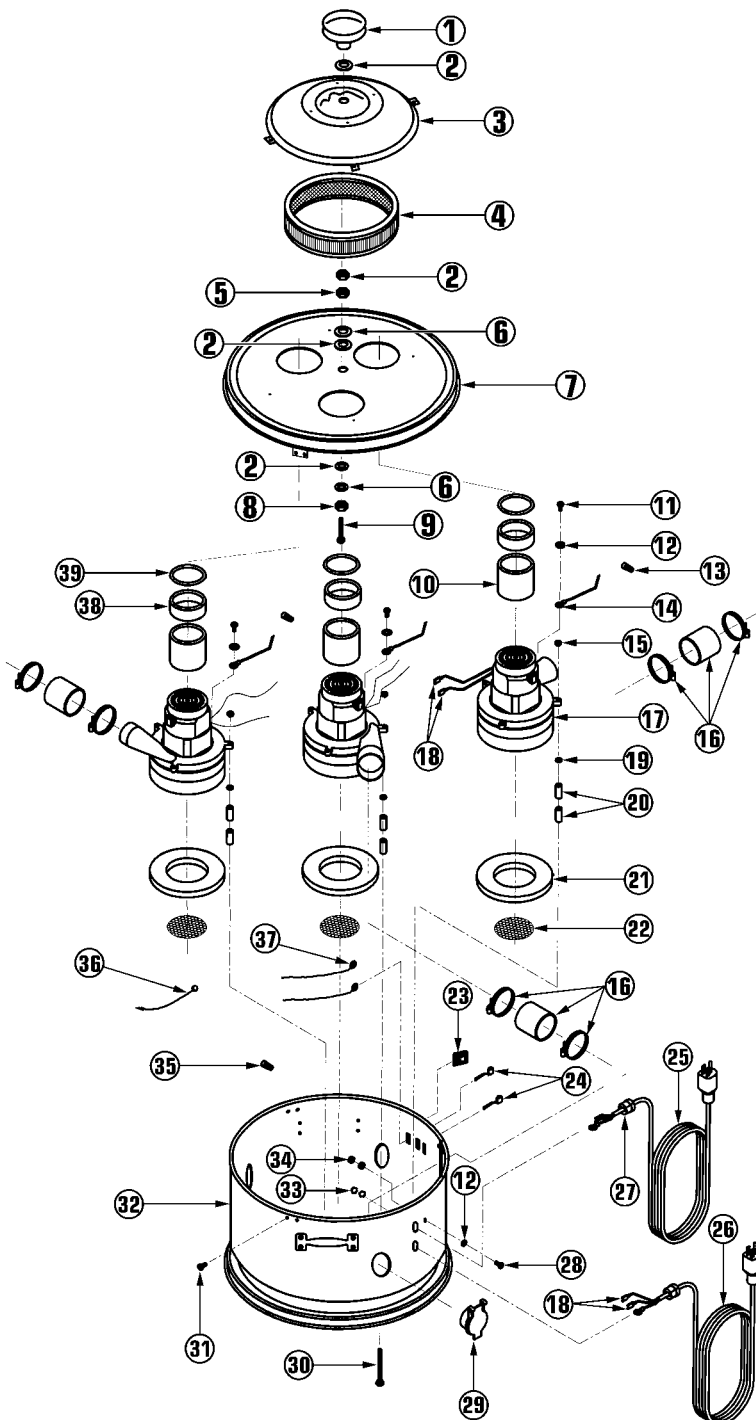


Ret No	Part Description	Qty	Part No
	Complete 16" Wet Pickup Adaptor	1	305987
1	16" Rubber Gasket	1	376027
2	16" Float Pan Adaptor	1	386081
3	Plate Gasket	1	374644
4	Spring Washer	2	372994
5	Ring Retainer	2	372986
6	Aluminum Valve Plate	1	375322
7	Float Spacer Rod	1	372943
8	1/4-20 Hex Nut w/Lock Washer	1	338966
9	Float Cage Assy (4 thur 10)	1	372900
10	Float Ball w/Hex Nut	1	346756



# #40 MOTOR HEAD REPLACEMENT PARTS LIST

## 3-1 TANG MOTOR HEAD (16" DIA)



Ref No	Part Description	Qty	Part No
	Motor Head Assembly	1	358509
1	Plastic Knob w/Insert	1	381861
2	Flat Washer	3	380962
3	Top Cover	1	358738
4	Air Filter	1	214868
5	5/16-18 Lock Nut	1	380792
6	5/16" Lock Washer	2	392359
7	16" Flat Cover	1	358681A
8	5/16-18 Hex Nut	2	305480
9	5/16-18 x 4 1/2" Bolt	1	381721
10	Chimney Gasket	3	387673
11	#10 - 32 X .31" Ground Screw	3	393258
12	#12 Int Tooth Lockwasher	4	364037
13	Orange Wire Nut	2	398985
14	#16-1 X 10" Ground Lead w/Term	4	307440
15	1/4- 20 Locknut	9	380784
16	Adaptor Assembly	3	359769
17	1 HP, 115 Volt By Pass Motor	3	392537
18	Slip-On Insulated Terminal	4	394041
19	Steel Washer	9	380970
20	Steel Spacer	18	364983
21	Circle Gasket	3	394300
22	Motor Screen	3	311073
23	20 AMP ON/OFF Rocker Switch	1	360694
24	16 AMP Rocker Switch	2	393754
25	30 Ft, 12/3 Yellow Line Cord	1	358630
26	30 Ft, 18/3 Yellow Line Cord	1	318647
27	Strain Relief	2	434299
28	#10-24 X 3/4" Screw	1	337315
29	Metal Valve	3	358606A
30	.25 - 20 X 3 1/2" Carriage Bolt	9	438073
31	#10 X .62 Screw	6	307483
32	Adaptor Assembly w/Handles	1	366161A
33	1/2" Lock Nut	2	433683
34	#10 - 24 Hex Nut	3	331201
35	Large Tan Wire Nut	2	358827
36	#16-1 X 10" Electrical Wire	4	307440
37	#16 X 6" Switch Lead w/Terminal	2	351202
38	Circle Gasket	3	364940
39	Circle Gasket	3	317926