

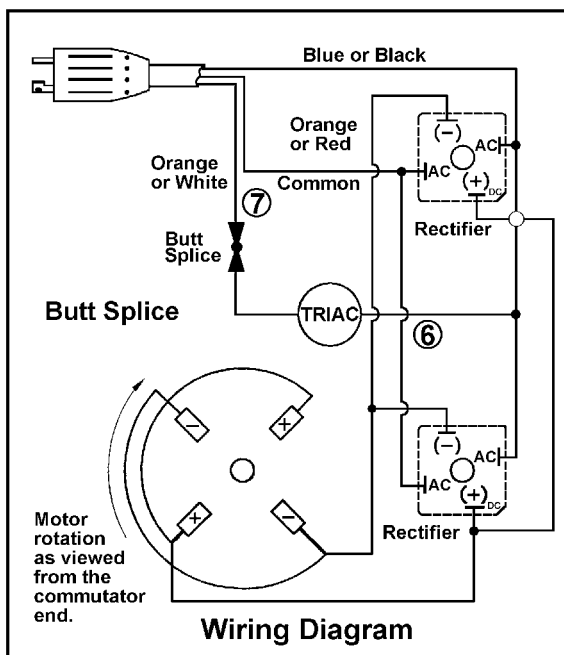
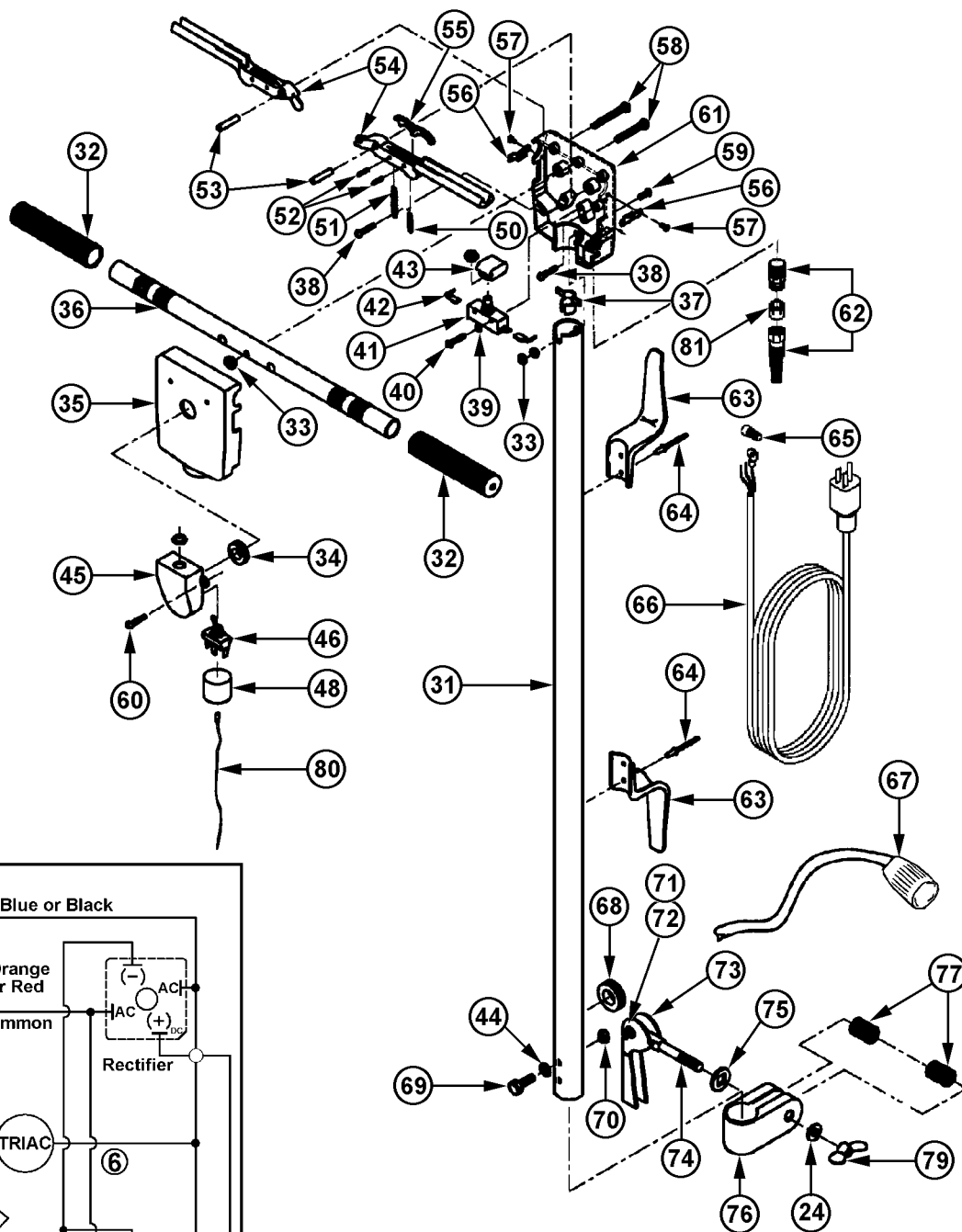
REPLACEMENT PARTS LIST

DUAL SPEED & VARIABLE SPEED FLOOR MACHINES

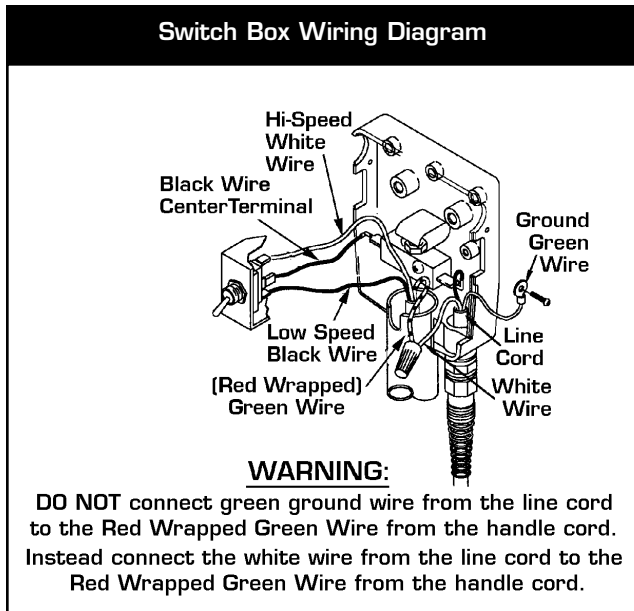
(17" & 20")



DUAL AND VARIABLE SPEED HANDLE ASSEMBLY PARTS DRAWING (17" & 20")



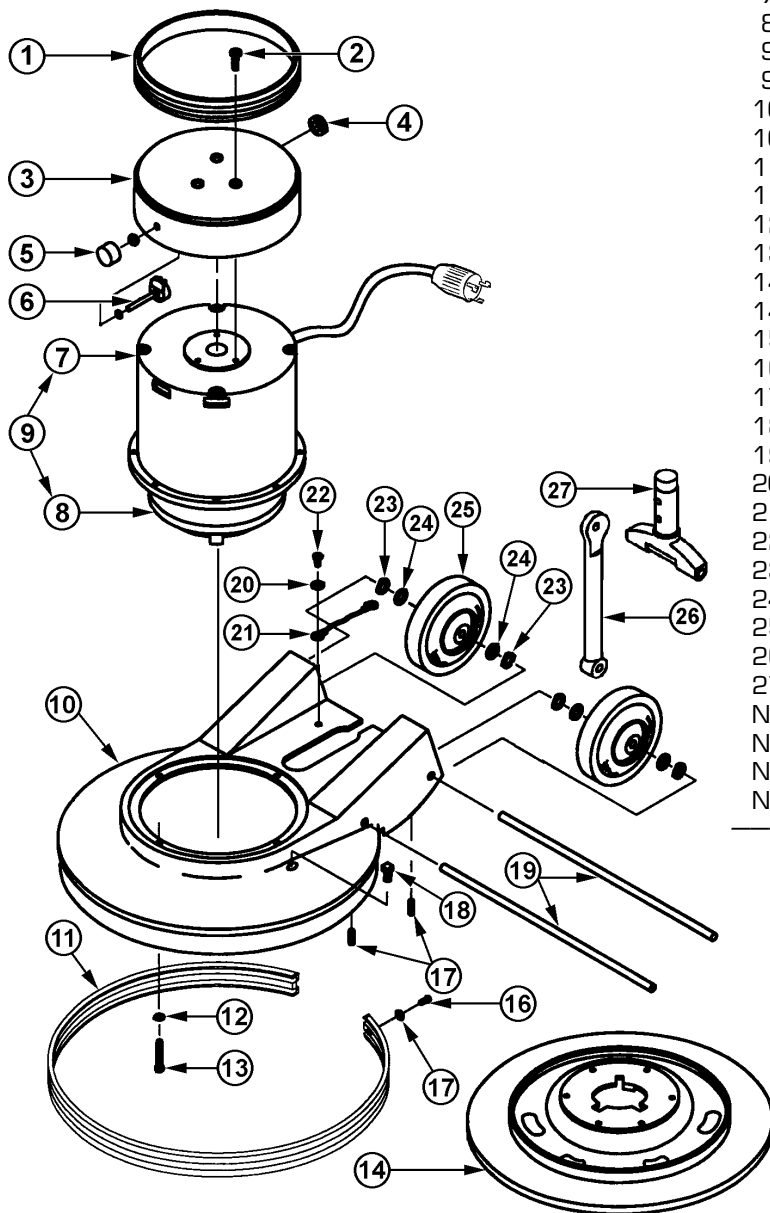
DUAL AND VARIABLE SPEED HANDLE ASSEMBLY PARTS LIST (17" & 20")



Ref No	Part Description	Qty	Part No
	Handel Assembly	1	379786
31	Handle Tube	1	376779
32	Ribbed Handle Grip	2	324744
33	#12-24 Nut w/Lockwasher	3	376744
34	Bushing	1	379549
35	Switch Box Cover	1	379956
36	Handle Bar	1	376612
37	Cord Clamp	1	342890
38	#8-32 X 1/4" Screw	3	367389
39	Internal Tooth Washer	2	355224
40	#8-32 X 1" Screw	2	335576
41	Trigger Switch	1	469629
42	Flag Terminal	2	379166
43	Leaf Spring	1	335584
44	5/16" Int Tooth Lockwasher	1	392359
45	Hi-Low Switch Housing	1	379638
46	Hi-Low Switch	1	379522
48	Insulating Tube	1	379565
50	Trigger Lock Spring	2	383147
51	Extension Spring	2	376671
52	Roll Pin	4	383139
53	Trigger Pin	2	376701
54A	1/4 X 1 1/4" Plastic Trigger	2	385654
54B	Plastic Trigger Kit	2	386839
55	Trigger Lock	2	390119
56	Reinforced Plate	2	387169

Ref No	Part Description	Qty	Part No
57	#6-32 X 1/4" Screw	4	349402
58	#12-24 X 17/16" Screw	4	376760
59	#12-24 X 1/2" Screw	2	312746
60	#8-32 X 1/4" Screw	2	392480
61A	Switch Box	1	376620
61B	Switch Box Assembly	1	363154
62	Complete Strain Relief	1	352705
63	Cord Hook	2	352845
64	Pop Rivet	4	318892
65	Electrical Connector (Yellow)	1	350648
66	50 Ft, 14-3 Power Cord	1	376809
67	14-3 Handle Power Cable	1	412023
68	Grommet	1	435252
69	5/16-18 X 1 1/2" Cap Screw	2	353272
70	5/16-18 Hex Lock Nut	2	354791
71	Cap	1	380555
72	Lever Pin	1	382434
73A	Clamping Lever	1	380520
73B	Clamping Lever Kit	1	373249
74	.27-16 X 3.37" Square Bolt	1	380504
75	Square Hole Flat Washer	1	382426
76	U Clamp	1	376051
77	Spring	2	367184
79	.37-16 Wing Nut	1	380490
80	Jumper Wire	1	379646
81	Brass Bushing	1	390348

DUAL AND VARIABLE SPEED MOTOR/CHASSIS DRAWING AND PARTS LIST



Ref No	Part Description	Qty	Part No
1	Canopy Bumper	1	379514
2	#8-24 X 1/4" Canopy Screw	4	392596
3A	Variable Speed Motor Canopy	1	335339
3A	Dual Speed Motor Canopy	1	379603
4	Grommet	1	369330
5	Control Knot (Variable Only)	1	335428
6	Potentionmeter (Variable Only)	1	438979
7	Dual Speed 1 1/2 HP, Motor	1	379573
8	3 Idler Gear Box	1	379476
9A	Vari Speed Motor & Gear Box	1	335304
9B	Dual Speed Motor & Gear Box	1	379581
10A	17" Apron	1	353507
10B	20" Apron	1	353523
11A	17" Bumper	1	357162
11B	20" Bumper	1	357170
12	1/4" Steel Lockwasher	4	342858
13	1/4-20 X 3/4" Screw	4	354775
14A	17" Drive Pad Assembly	1	325783
14B	20" Drive Pad Assembly	1	330337
15	3/16" Washer	5	322164
16	3/16" Pop Rivet	5	374733
17	5/16-18 X 1/2" Set Screw	2	352861
18	Cap Plug	1	353426
19	Axle Shaft	2	353256
20	#10 Int Tooth Lockwasher	1	380725
21	#10 X 4" Ground Lead	1	390372
22	#10-24 X 1/2" Screw	1	385379
23	Spring Washer	5	353248
24	3/8" Steel Washer	7	353221
25	5" Wheels	2	357766
26	Strut Support	1	354570
27	Handle Tee	1	370002
N/S	Triac Dual Speed Control	1	386057
N/S	Triac Variable Speed Control	1	377112
N/S	Rectifier	1	341991
N/S	Carbon Brushes	1	380083