

# MOTOR/CHASSIS REPLACEMENT PARTS DRAWING

MD-10A; B; C  
MD-13A; B; C; D

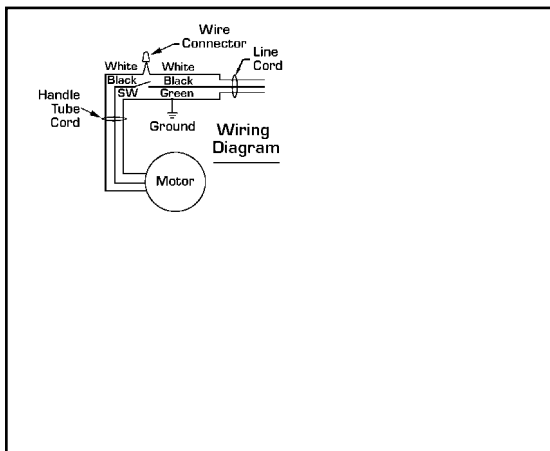
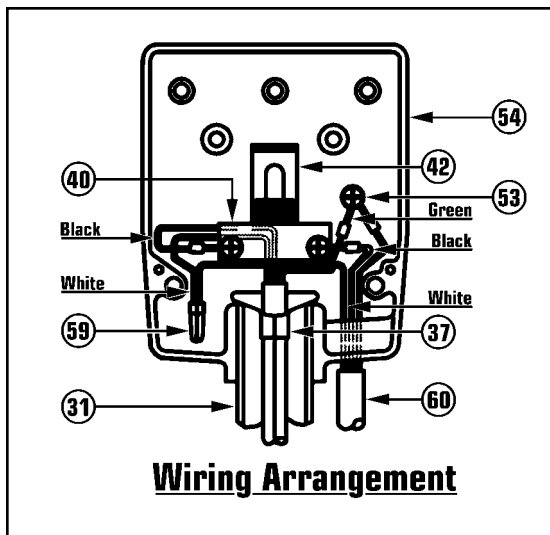
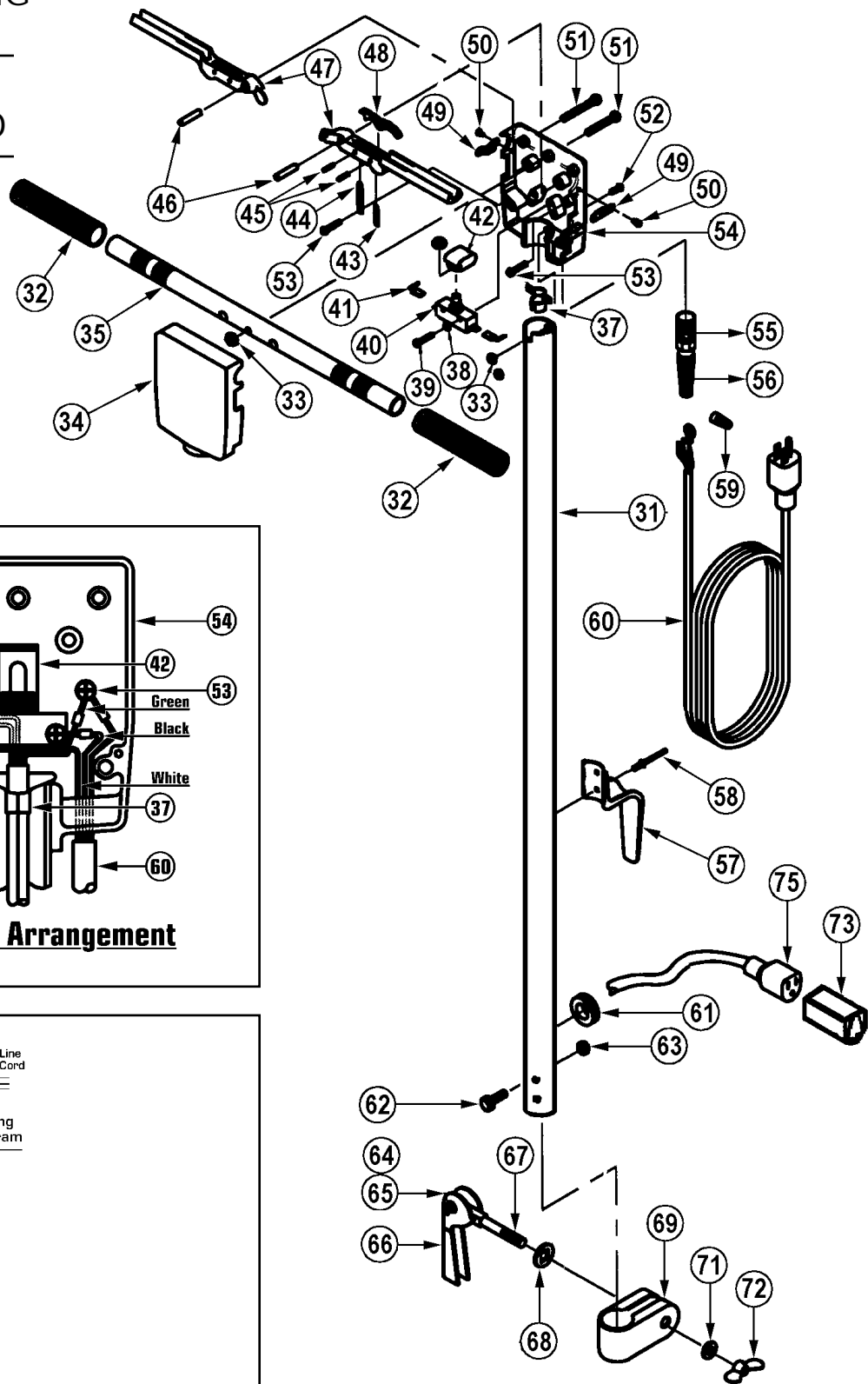
# 10" & 13" 175 RPM FLOOR MACHINE REPLACEMENT PARTS LIST

Ref No	Part Description	Qty	Part No
1	Canopy Bumper (MD10C & MD13C; D)	1	441635
2A	Canopy Screw (MD10A;B & MD13A;B)	3	374873
2B	Canopy Screw (MD10C & MD13C; D)	3	377201
3A	Motor Canopy (MD10A; B & MD13A; B)	1	374385
3B	Motor Canopy (MD10C; & MD13C; D)	1	353132
4A	Canopy Holddown (MD10A; B & MD13A; B)	1	374865
4	Canopy Spacer (MD10C & MD13C; D)	3	377228
5	Canopy Gasket (MD10C;& MD-13C; D)	1	354678
6A	1/3 HP, 120V Motor (MD-10A & 13A)	1	379611
6A	1/2 HP, 120V Motor (MD-10B & 13B)	1	351717
6B	3/4 HP, 120V Motor (MD10C & 13C)	1	351725
6C	1 HP, 120V Motor (MD-13D))	1	351733
7A	1/3 HP, 120V Motor & Gear Box	1	385972
7B	1/2 HP, 120V Motor & Gear Box	1	353868
7C	3/4 HP, 120V Motor & Gear Box	1	385980
7D	1 HP, 120V Motor & Gear Box	1	332569
8A	2 Idler Gear Box (MD10A; B & MD13 A;B)	1	386294
8B	3 Idler Gear Box (MD10C & MD13C;D)	1	386006
9A	10" Apron	1	336211
9B	13" Apron	1	362905
10	1/4" Lockwasher	4	342858
11A	1/4-20- 3/4" Screw (MD10A;B & MD13A;B)	4	219290
11B	1/4- 20 - 1" Screw (MD10C & MD13C;D)	4	354775
12A	10" Bumper	1	336394
12B	13" Bumper	1	441643
13	3/16" Flat Washer	3	322164
14A	3/16" Pop Rivet (13" Only)	5	374733
14B	#10 Screw (10" Only)	3	385379
15	5/16-18 Set Screw	2	352861
16	Handle Tee Axle	1	353388
17	Axle Shaft	1	376930
18	Retaining Ring	3	368946
19	3" Wheels	2	353183
20	Spring Washer	4	353248
21	Steel Washer	4	353221
22	Handle Tee Casting	1	361046
23	Left Strut Support	1	360058
24	Right Strut Support	1	360066



# HANDLE ASSEMBLY PARTS DRAWING

MD-10A; B; C  
MD-13A; B; C; D



# HANDLE ASSEMBLY REPLACEMENTS PARTS LIST

MD-10A; B; C  
MD-13A; B; C; D

Ref No	Part Description	Qty	Part No
31A	32" Handle Tube (10" Only)	1	371882
31B	41" Handle Tube (13" Only)	1	376779
32	Ribbed Handle Grip	2	324744
33	#12-24 Nut w/Lockwasher	3	376744
34	Switch Box Cover	1	458945
35	Handle Bar	1	376612
37	Cord Clamp	1	342890
38	Internal Tooth Washer	2	355224
39	#6-32 Switch Screw	2	335576
40	Trigger Switch	1	469629
41	Flag Terminal	2	379166
42	Leaf Spring	1	335584
43	Trigger Lock Spring	2	383147
44	Extension Spring	2	376671
45	Roll Pin	4	383139
46	Trigger Pin	2	376701
47	Plastic Trigger	2	385654
48	Trigger Lock	2	390119
49	Reinforced Plate	2	387169
50	#6-32 X 1/4" Screw	4	349402
51	#12-24 X 1 7/16" Screw	4	376760
52	#12-24 X 1/2" Screw	2	312746
53	#8-32 X 1/4" Screw	3	367389
54	Switch Box	1	458953
55A	Brass Bushing Reducer (MD-10/13A)	1	359947
56	Strain Relief (MD-10A;B ;13A;B)	1	352691
56B	Complete Strain Relief (MD-10 B & C; MD-13 - B; C; D)	1	434299C
57	Cord Hook	2*	352845
58	Pop Rivet	4	318892
59	Orange Electrical Connector	1	398985
60A	50 Ft, 16-3 Power Cord (MD-10A; B & 1MD; B)	1	376817
60B	50 Ft, 14-3 Power Cord (MD-10 C; MD13; C; D)	1	376809
61	Grommet	1	435252
62	5/16-18 X 1 1/2" Screw	2	353272
63	Hex Nut	2	354791
64	Cap	1	380555
65	Lever Pin	1	382434
66A	Clamping Lever	1	380520
66B	Clamping Lever Kit	1	373249
67	.37-16 X 3.75" Bolt	1	382485
68	Square Hole Flat Washer	1	382426
69	U Clamp	1	376051
71	Steel Washer	1	353221
72	Wing Nut	1	380490
73	Grey Connector Sleeve	1	355844
75A	#14-3 X 48" Cord (13")	1	435279
75B	#14-3 X 41 3/4" Cord (10")	1	430927

\* 10" machine - 1 only



# MOTOR & CHASSIS PARTS DRAWING

MD-10A; B; C  
MD-13A; B; C; D

