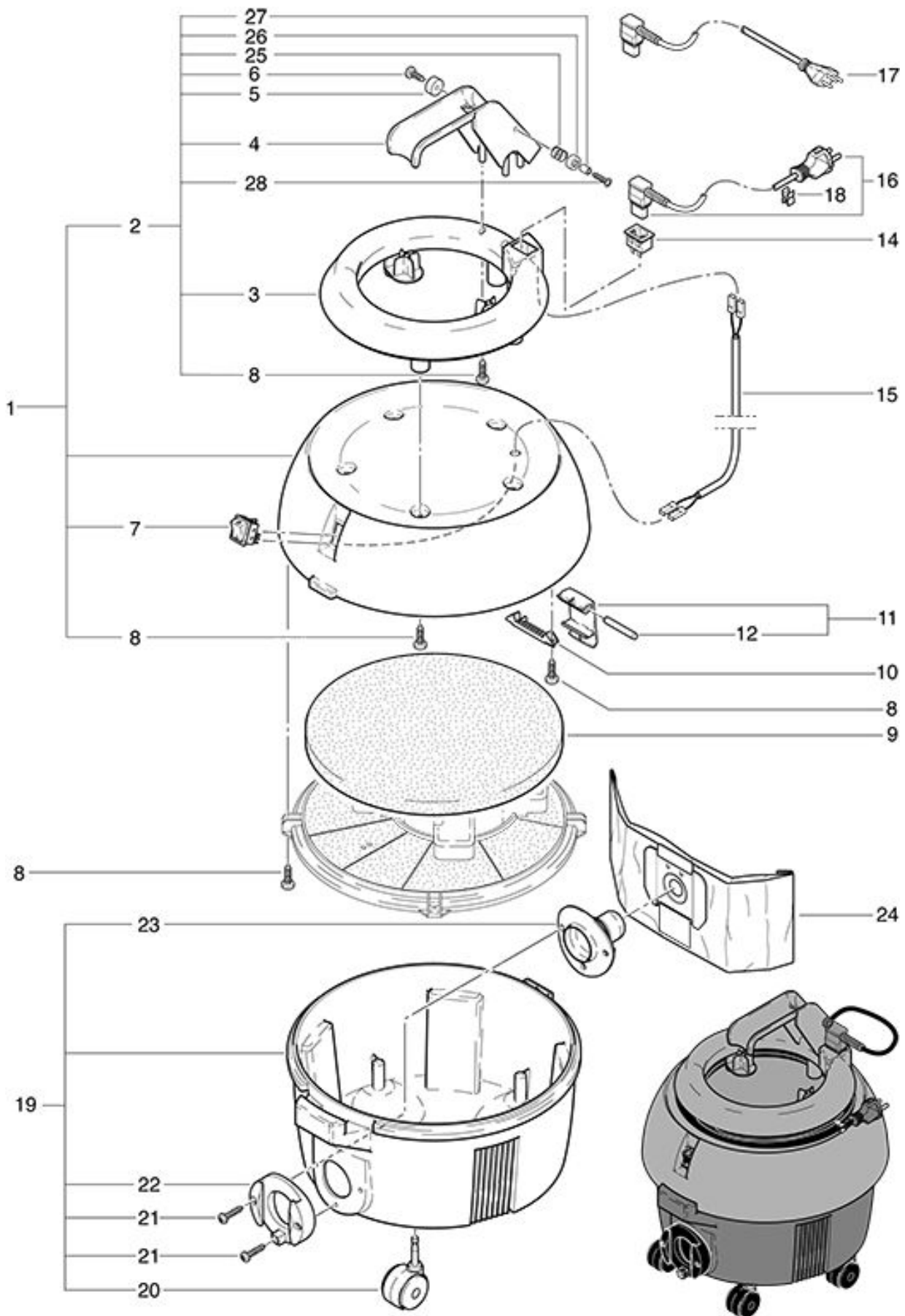


**S 10 plus HEPA
Dome-Tank**

As at: 01/18/10 Time:19:13



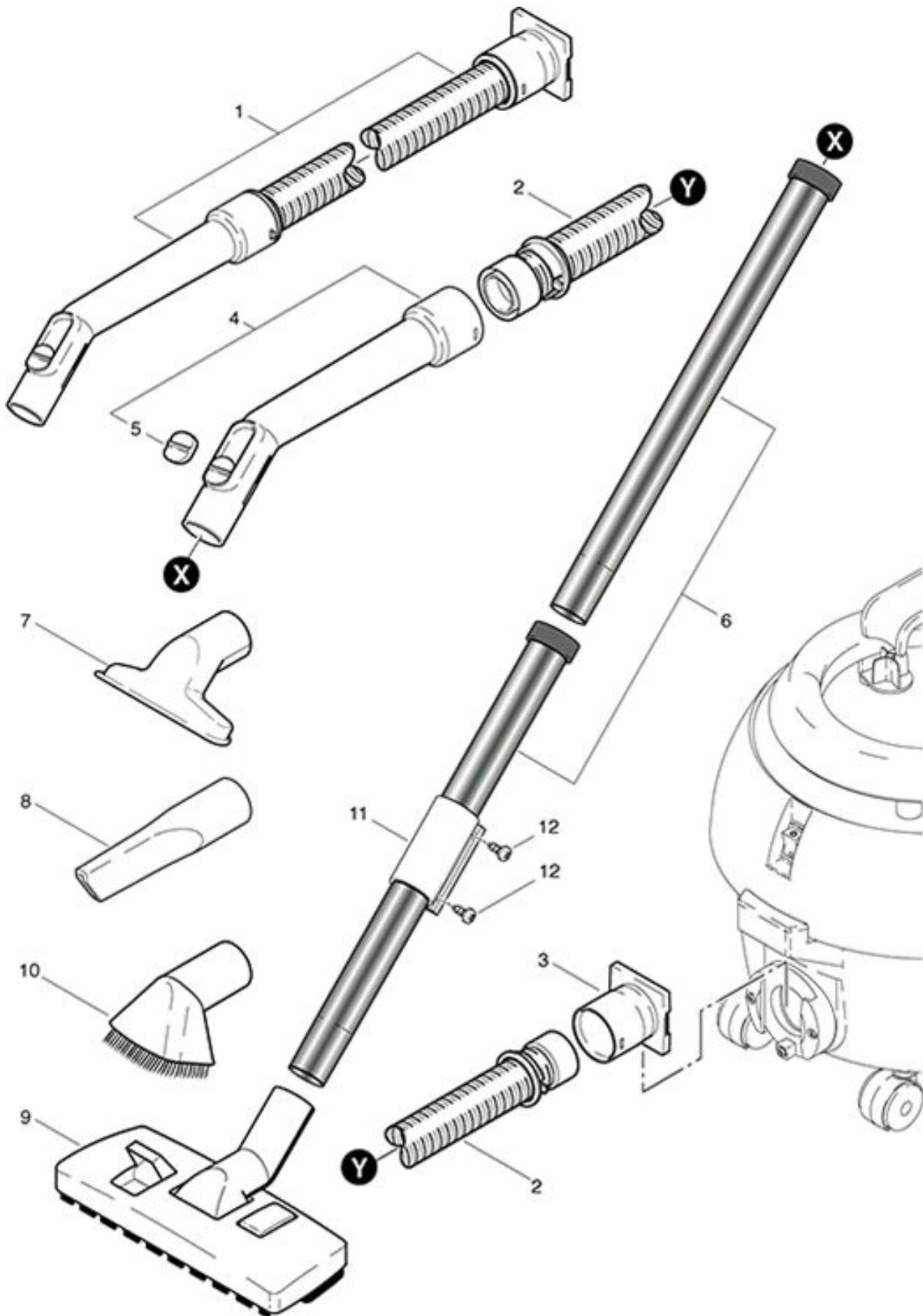
S 10 plus HEPA Dome-Tank

As at: 01/18/10 Time:19:13

Pos.	Description	Reference
01	Dome complete, including items 2,7+8	022.110 S
02	Handle complete, including items 3-6,8,25-28	012.114
03	Handle S 12 plus	012.113
04	Handle	012.117
05	Cable safety device rolls	012.115
06	PT-screw KA 40x12	P...516 P
07	Tumbler switch LED	P...240 F
08	PT-screw KA 40x16	P...516 G
09	Sound absorbing sheet	022.116
10	Pin hold	022.114
11	Seal lever compl.	022.122
12	Pin	022.115
14	Socket for external tools	012.151
15	Cable connection	012.152
16	Electrical connection VDE	012.150
17	Electrical connection SEV	012.150 A
18	Cable clamp	P...278
19	Tank complete, including items 20-23	012.200
20	Swivel castor wheel Ø 50 mm	P...204 F
21	PT-screw KA 50x30	P...515 E
22	Tank connection	4012234
23	Saffle	4012393
24	Packet of 5 dustbags	022.433
25		022.163
26		022.162
27		022.161
28		P...517 BB

S 10 plus HEPA
Suction set

As at: 01/18/10 Time:19:13



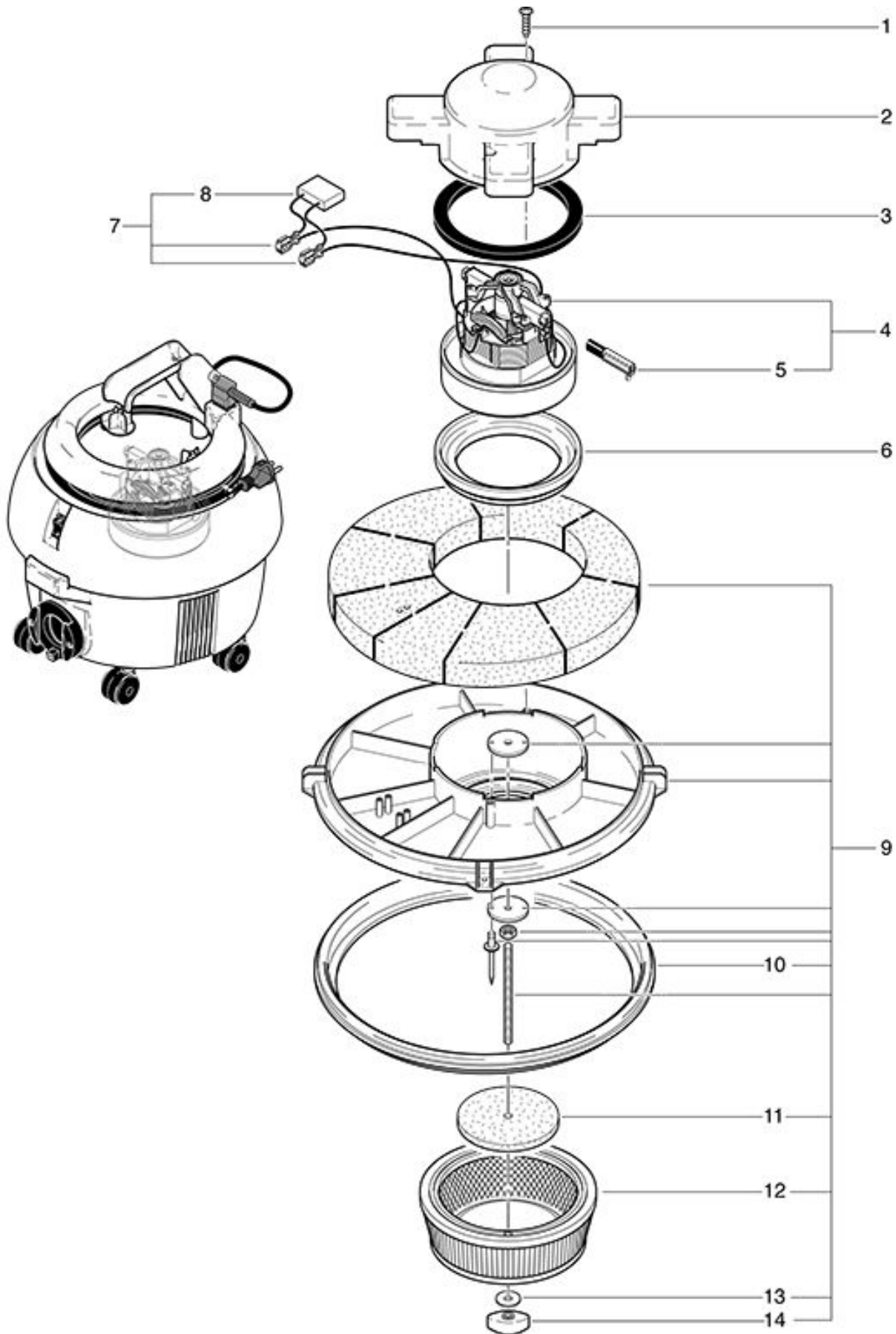
S 10 plus HEPA Suction set

As at: 01/18/10 Time:19:13

Pos.	Description	Reference
01	Suction hose complete, including items 2-5	012.567
02	Suction hose	900.569
03	Hose end connector	012.570
04	Toolhandle compl.	900.670
05	Slide	P...581 B
06	Stainless steal tube	645.002
07	Upholstery tool	645.004
08	Crevice tool	645.006
09	Carpet hardfloor tool	645.103
10	Dropery brush (Optional accessory)	645.005
11	Sliding clamp	012.411
12	PT-screw KA 40x8	P...515 W

S 10 plus HEPA
Vacuum motor

As at: 01/18/10 Time:19:14



S 10 plus HEPA

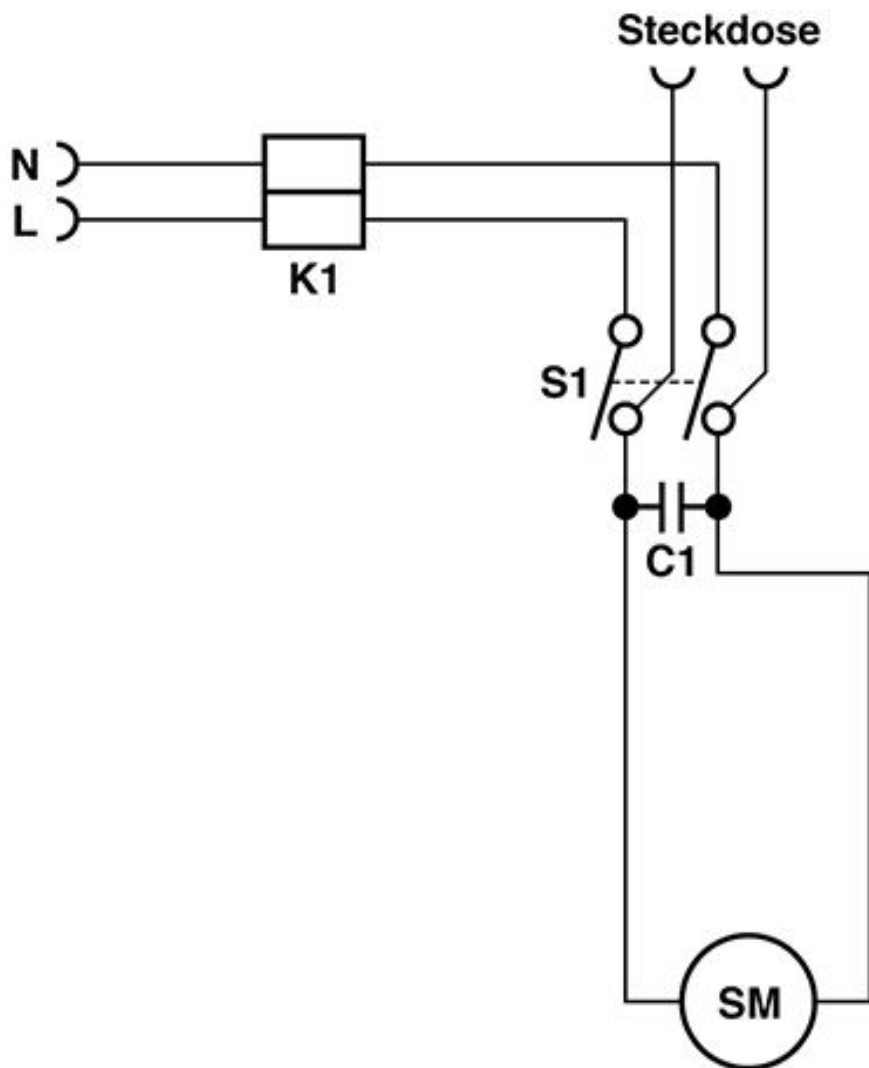
Vacuum motor

As at: 01/18/10 Time:19:14

Pos.	Description	Reference
01	PT-screw KA 40x16	P...516 C
02	Lower motor	022.132
03	Seal for motor	022.133
04	Vacuum motor	P...872
05	Carbon brush	P...872 A
06	Profile	P...971 J
07	Cable tree with capacitor	012.143
08	Capacitor	P...393 E
09	Motor plate HEPA completely	022.130 H
10	Bucket gasket	012.450
11	Airfilter for motor	022.134
12	Filter element HEPA	022.450
13	Washer M 5	P...496 G
14	Wing nut M 5	P...253 H

S 10 plus HEPA Wiring diagram

As at: 01/18/10 Time:19:14



- K1 = Reihenklemme / Serre-fil / Cable clamp
- S1 = Wippenschalter / Interrupteur / Tumbler switch
- C1 = Kondensator 0.15 uF / Condensateur 0.15 uF / Capacitor 0.15 uF
- SM = Saugmotor / Moteur d'aspiration / Vacuum motor

S 10 plus HEPA

Wiring diagram

As at: 01/18/10 Time:19:14

Pos.	Description	Reference
C1	Capacitor 0,15 uF	P...393 E
K1	Terminal 3 poles	P...383 A
S1	Tumbler switch LED	P...240 F
SM	Motor	P...872