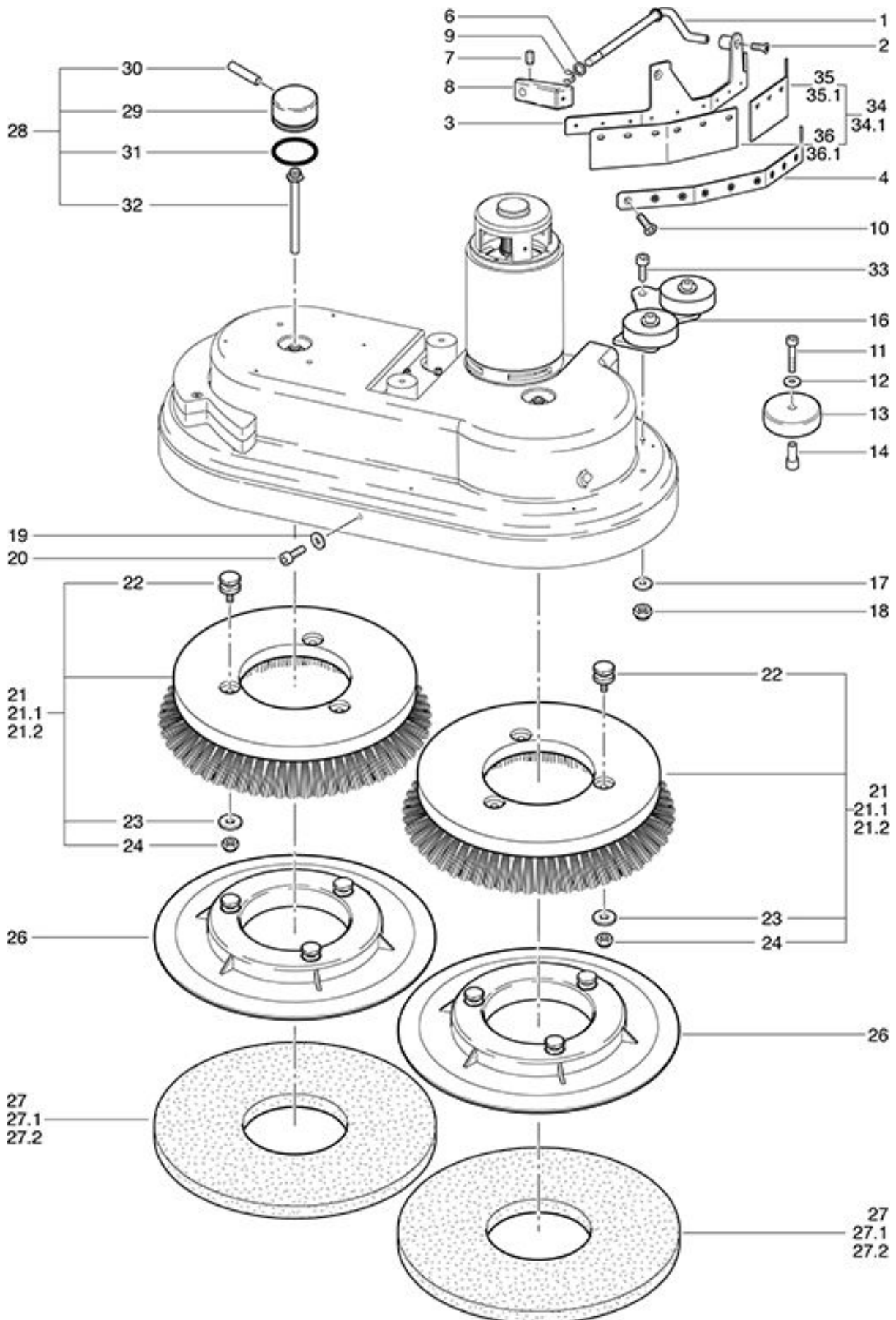


**RA 900 Sauber**  
**Accessories brush heading**

As at: 01/15/10 Time:21:41



# RA 900 Sauber

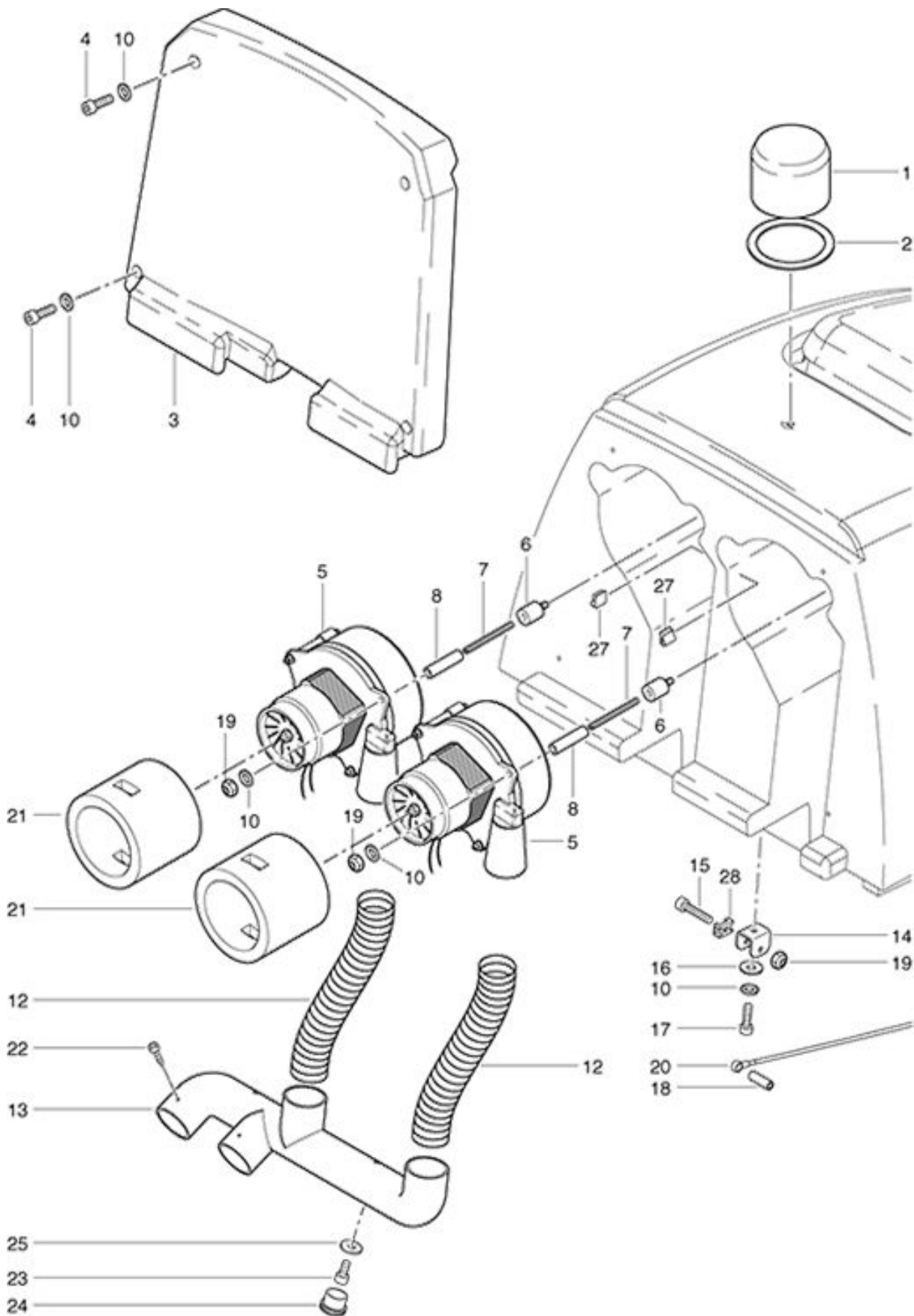
## Accessories brush heading

As at: 01/15/10 Time:21:41

<b>Pos.</b>	<b>Description</b>	<b>Reference</b>
01	Handle	910.064
02	Countersunk allenscrew M 5x12	P...480 U
03	Support rail	910.063
04	Rail	910.065
06	Lapp hinge 12x16x2	P...496 AD
07	Grubscrew M 6x10	P...484 Y
08	Support	910.082
09	Safety devisk disk Ø 9	P...500 V
10	Countersunk allenscrew M 6x12	P...487 U
11	Cylindrical screw M 8x35	P...487 ZA
12	SpacerM 8	P...500 T
13	Rejecting wheel Ø 90 mm	510.127
14	Distance washer	432.508
16	Holder	910.085
17	U-shim M 8	P...497 N
18	Hexagon nut M 8	P...490 E
19	Spacer M 6	P...497 H
20	Allen screw M 6x20	P...489 K
21	Scubbing brush compl.	910.059
21.1	Silicium carbride brush	910.476
21.2	Exposed aggregate pavement brush	910.573
22	Drive pin	710.462
23	Spacer M 6	P...510 L
24	Locknut M 6	P...492 K
26	Driving disc	910.070
27	Pad red 432 mm	694.322
27.1	Pad blue 432 mm	694.323
27.2	Pad brown 432 mm	694.324
28	Adapter complete including items 29-32	710.450
29	Adapter	710.451
30	Small hose for adaptor	710.452
31	O-ring	710.453
32	Spray tube	701.452
33	Hexagon socket screw M 8x25	P...487 D
34	Rubber blade brush head lataral, standard	910.071
34.1	Rubber blade brush head lataral, standard, oil	910.072
35		910.067
35.1		910.069
36		910.066
36.1		910.068

# RA 900 Sauber Aspirator

As at: 01/15/10 Time:21:53



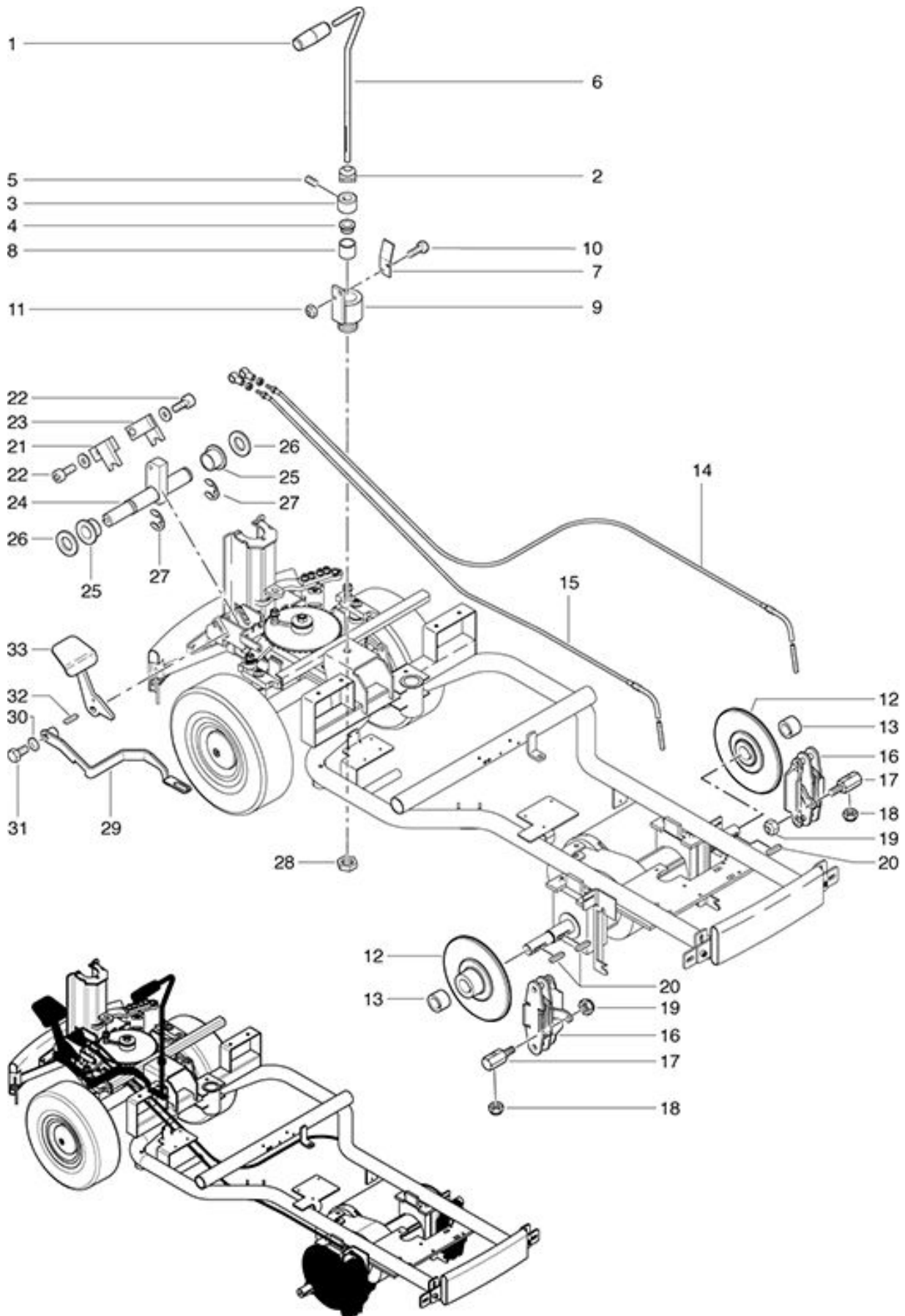
# RA 900 Sauber Aspirator

As at: 01/15/10 Time:21:53

<b>Pos.</b>	<b>Description</b>	<b>Reference</b>
01	Flashlight red	800.620
02	Rubber sheet	800.621
03	Back cushion	800.480
04	Allen-screw M 6x22	P...486 X
05	aspirator	440.206
06	Round buffer 20x25 mm	400.217
07	Grub screw M 6x60	P...489 M
08	Bearing sleeve	800.211
10	U-shim	P?497 K
12	Isolation hose	400.223
13	Exhaust duct	800.630
14	Fixation bracket	800.623
15	Allen-screw M 6x35	P?486 U
16	U-shim M 6	P?497 H
17	Cylinder head screw M 6x25	P?488 Q
18	Bushing for wire	710.159
19	Locknut M 6	P?492 I
20	Cord to Wastewater tank	800.624
21	Sound damming hood	530.737
22	Crew 4.8x18	P...483 O
23	Allen-screw M 6x16	P...487 Z
24	Plug Ø 15 mm	P...168
25	U-shim M 6	P...497 K
27	Cable support	P...360
28	Cable strap owner	125.111

# RA 900 Sauber Brake system

As at: 01/15/10 Time:21:54



# RA 900 Sauber

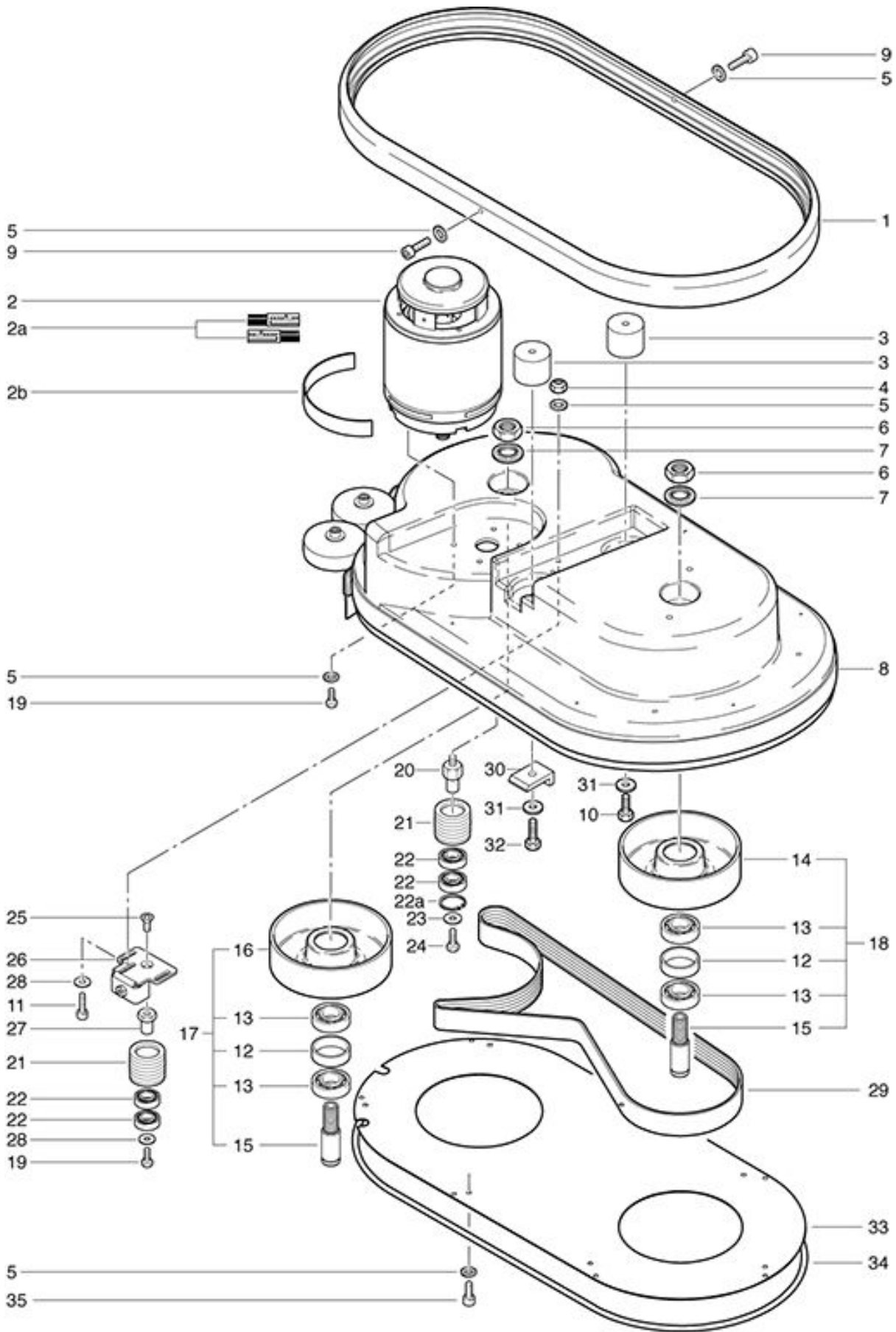
## Brake system

As at: 01/15/10 Time:21:54

<b>Pos.</b>	<b>Description</b>	<b>Reference</b>
01	Control bar	P...085 H
02	Stop	800.172
03	Adjusting ring without grub screw	P...329
04	Flanged bearing sleeve	800.154
05	Grub screw M 6x6	P...481 C
06	Hand brake handle	800.240
07	Clip plate	800.238
08	Sleeve 20x12x10	800.154
09	Adjustment	800.239
10	Pan hed screw M 3x12	P...475 B
11	Locknut M 3	P...493 C
12	Brake disc compl.	800.226
13	Distance sleeve	800.173
14	Brake line right	800.335
15	Brake line left	800.338
16	Brake calipers	800.225
17	Holding plate f. brake cable	800.333
18	Locknut M 6	P...492 K
19	Locknut M 8	P...492 H
20	Feather key	P...474 B
21	Swing cone	800.241
22	Allen screw M 5x12	P...486 H
23	Adherence	800.242
24	Brake lever	800.230
25	Flanged bearing sleeve	800.231
26	U-shim M 16	P...500 R
27	Lockring	P...513 Z
28	Hexagon nut 3/8"	P...535 B
29	Control lever to emergency brake	800.237
30	Blower shim M 6	P...498 J
31	Allen screw M 6x12	P...472 R
32	Feather key	P...513 Q
33	Footbrake lever	800.235

**RA 900 Sauber**  
**Brush body-Pos.1-35**

As at: 01/15/10 Time:21:54



# RA 900 Sauber

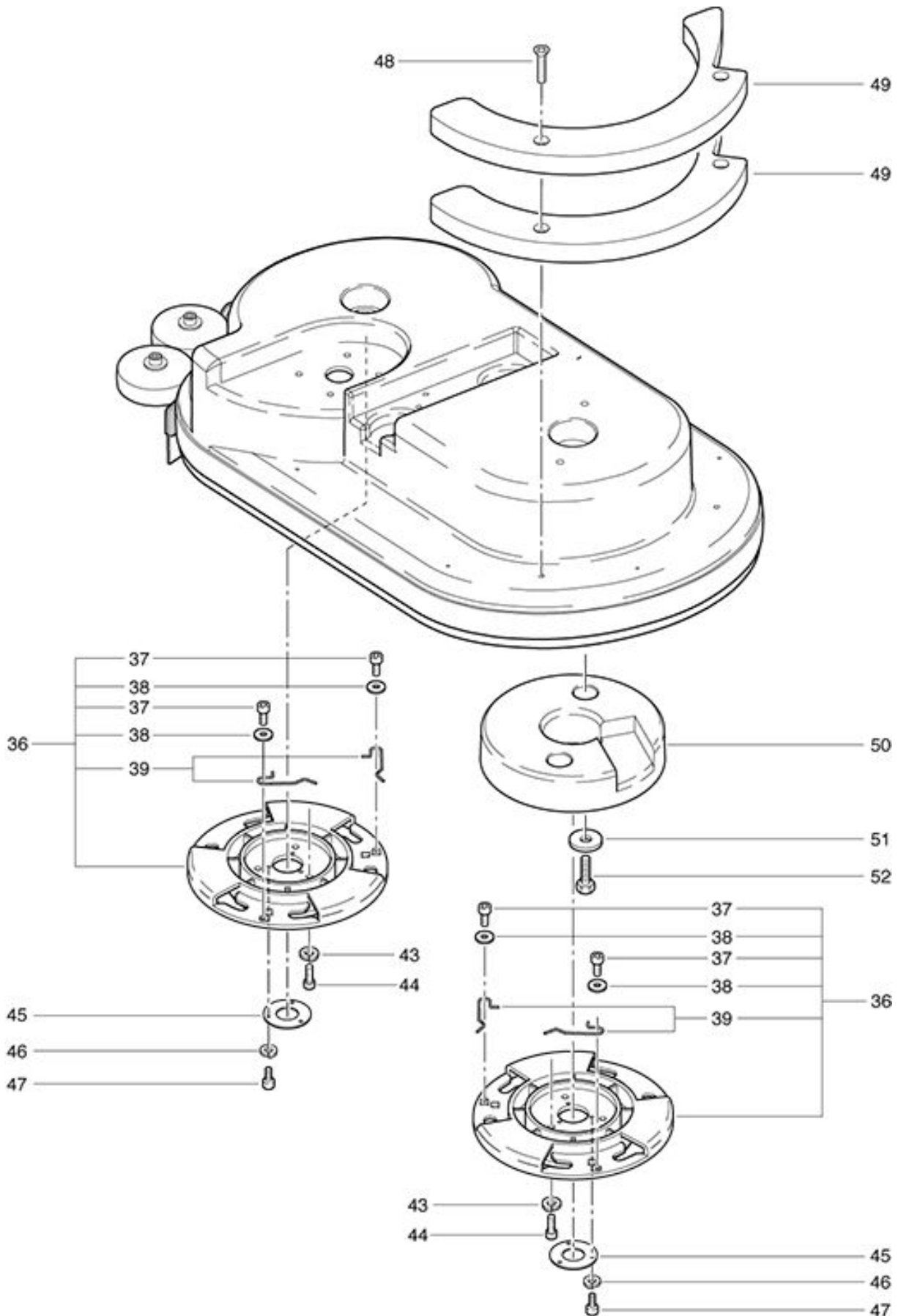
## Brush body-Pos.1-35

As at: 01/15/10 Time:21:54

<b>Pos.</b>	<b>Description</b>	<b>Reference</b>
01	Bumper	910.076
02	Brush motor	710.441
02a	Pair of carbon brushes	710.441 A
02b	Spraying protecting starting from Masch. No. 86007	800.073
03	Round buffer	710.448
04	Locknut M 6	P...492 K
05	Washer	P...497 H
06	Hexagon nut M 20x1.35	P...492 R
07	Lock washer M 20	P...498 Q
08	Brush device compl.	910.050
09	U-shim M 10	P...498 R
10	Hexagon screw M 10x16	P...471 R
11	Grooved ball bearing 6205 2RS	P...316 P
12	Distance ring	3611851
13	Grooved ball bearing 6205 ZZ	P...316 P
14	Belt plate left	710.421
15	Primary shaft	742.125
16	Belt plate right	710.422
17	Belt pulley right compl.	710.423
18	Belt pulley left compl.	710.420
19	Hexagon screw M 6x16	P...472 S
20	Bolt	800.063
21	Deflection pulley	710.433
22	Ball bearing 6202 ZZ AV2	6426442
22a	Snap ring	782.603
23	U-shim M 8	P...496 J
24	Hexagon screw M 8x16	P...472 V
25	Countersunk allenscrew M 8x16	P...480 Q
26	Tension jack	800.074
27	Bolt	800.072
28	Washer M 6x18	P...497 H
29	Rib band	910.417
30	Stop angle	800.087
31	Washer	P...510 M
32	Screw M 10x25	P...470 D
33	Cover plate	910.078
34	Foam rubber profile	P...340 D
35	Allen screw M 5x6	P...489 C

**RA 900 Sauber**  
**Brush body-Pos.36-52**

As at: 01/15/10 Time:21:54



# RA 900 Sauber

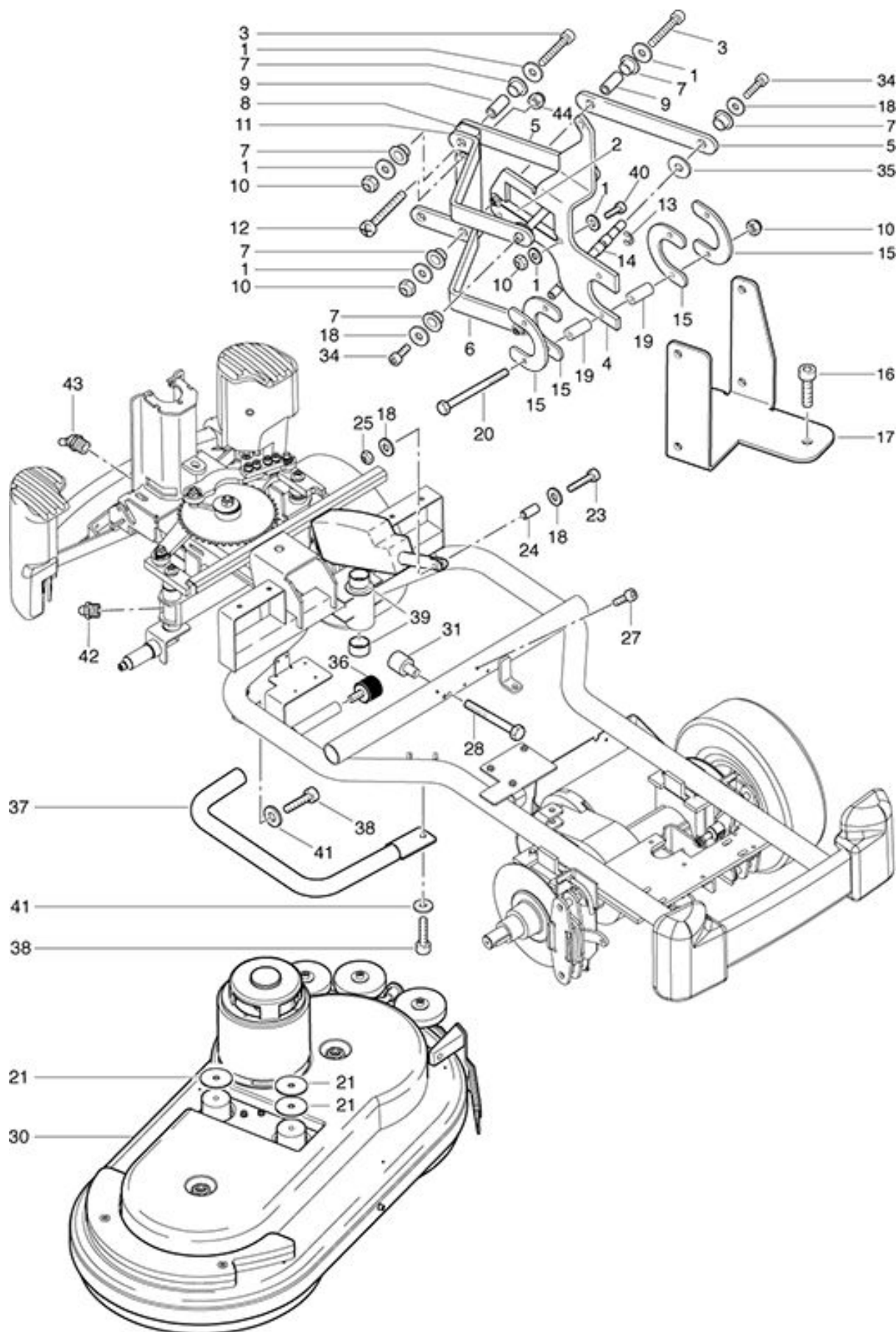
## Brush body-Pos.36-52

As at: 01/15/10 Time:21:54

<b>Pos.</b>	<b>Description</b>	<b>Reference</b>
36	Driving plate compl.	710.425
37	Allen screw M 5x8	P...488 E
38	Washer M 5	P...496 H
39	Spring for driving plate (Set)	701.429
43	Spring ring M 6	P...500 G
44	Allen screw M 6x16	P...488 P
45	Steel washer	710.428
46	Spring washer M 4	P...500 E
47	Allen screw M 4x8	P...488 D
48	Allen screw M 8x30	P...488 V
49	Weight	910.059
50	Balance lead	710.415
51	Washer M 8	P...496 PA
52	Hexagon screw M 8x16	P...471 D

RA 900 Sauber  
Brush device compl.

As at: 01/15/10 Time:21:55



# RA 900 Sauber

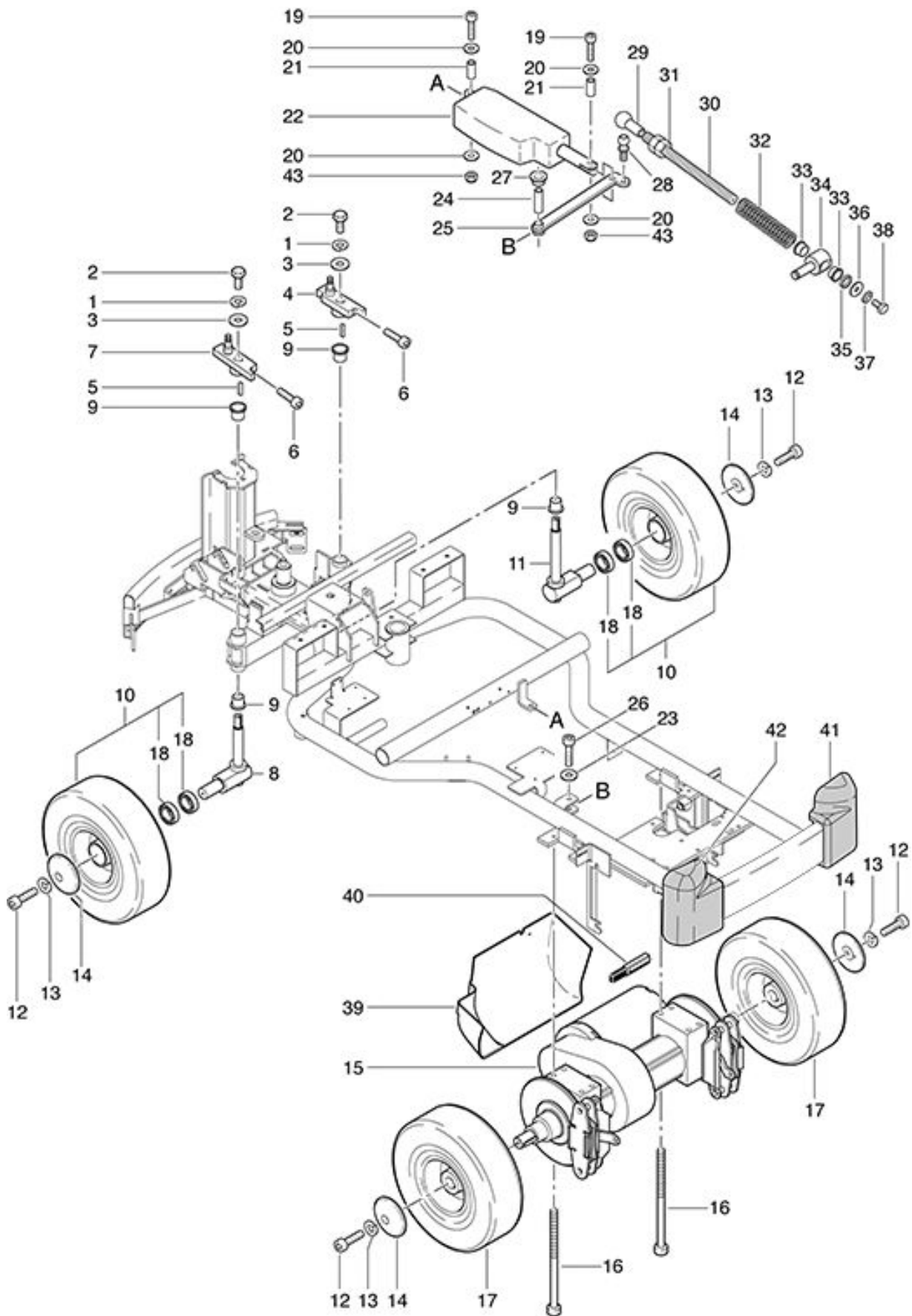
## Brush device compl.

As at: 01/15/10 Time:21:55

<b>Pos.</b>	<b>Description</b>	<b>Reference</b>
01	Washer M 6	P...496 L
02	Castor	800.215
03	Allen-screw M 6x40	P...486 Y
04	Lever	910.212
05	Rhomboid lever	800.213
06	Reset-bar	910.221
07	Permaglide sleeve 10 mm	530.182
08	Swivel pin	800.224
09	Bearing sleeve	800.211
10	Locknut M 6	P...493 K
11	Parallelogram cross-tie	910.218
12		P...476 K
13	Lockring 9 mm	P...500 L
14	Shaft	910.219
15	Clip for bearing	800.220
16	Hexagon screw M 10x25	P...470 D
17	Motor head holder	910.080
18	Spacer M 5	P...497 E
19	Distance sleeve 14x11	910.223
20	Hexagon screw M 6x100	P...470 J
21	Rondelle54x10.5x3	P...204 A
22	Adjusting motor 130 mm	800.222
23	Allen screw M 5x30	P...488 Z
24	Distance sleeve 10x22.5	800.233
25	Locknut M 5	P...493 G
27	Allen screw M 6x16	P...488 P
28	Hexagon screw M 8x80 to machine no.8606	P...473 J
30	Brush device compl.	910.050
31	Stopper pin	910.084
34	Allens crew M 5x16	P...488 G
35	Spacer M 10/10.5/30/2.5	P...496 S
36	Rubber buffer Ø=30x20 M 8x20	910.149
37	Handle	910.148
38	Cylindrical screw M 8x30	P...488 V
39	Permaglide sleeve	800.159
40	Cylindrical screw M 6x16	P...477 K
41	U-shim M 8	P...496 P
42	Lubrication fitting straight	800.194
43	Lubrication fitting curved	800.193
44	Lock nut M 4	P...49

# RA 900 Sauber Chassis

As at: 01/15/10 Time:21:55



# RA 900 Sauber

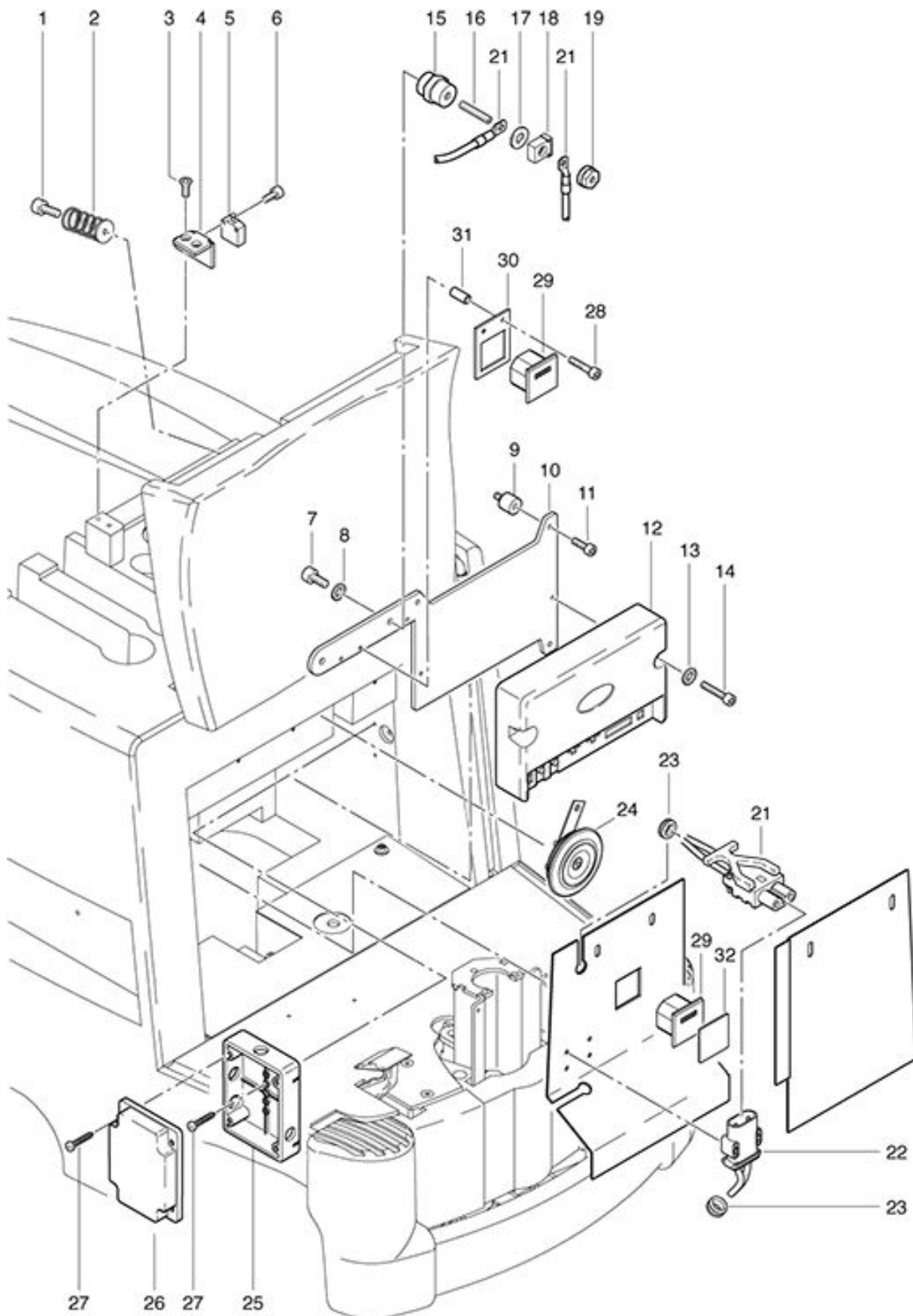
## Chassis

As at: 01/15/10 Time:21:55

<b>Pos.</b>	<b>Description</b>	<b>Reference</b>
01	Feather ring M 8	P...498 N
02	Allen screw M 8x16	P...472 V
03	U-shim M 8	P...497 T
04	Steering blade right	800.164
05	Cotter 5x5x20	P...474 E
06	Allen screw M 5x20	P...488 I
07	Steering blade left	800.162
08	Axis blade left	800.160
09	Permaglide sleeve	800.158
10	Frontwheel front incl. Bearing Pos. 18	800.165
11	Axis blade right	800.161
12	Allen screw M 8x25	P...487 D
13	Feather ring M 8	P...500 H
14	Wheel cover red	800.175
15	Traction motor compl.	800.155
16	Allen screw M 8x140	P...489 L
17	Backwheel	800.157
18	Ball bearing impeller in front	800.166
19	Allen screw M 5x30 INOX	P...488 Z
20	U-shim M 5	P...497 E
21	Distance washer Ø 10x22.5	800.233
22	Adjustment drive suction nozzle	800.245
23	U-shim M 6	P...497 H
24	Distanz washer	800.255
25	Lever to nozzle removal	800.254
26	Allen screw M 6x40	P...486 Y
27	Permaglide sleeve	530.182
28	Ball stud with thread	P...512 D
29	Ball cup	P...512 C
30	Stroke seaweeds	800.262
31	Hexagon nut M 12	P...490 G
32	Compression spring Ø 88x18.5x2.5	800.290
33	Permaglide sleeve	P...321 F
34	Guide pin	800.273
35	Distance ring	800.291
36	Disk INOX M 5	P...497 E
37	Lock washer M 5	P...498 D
38	Allen screw INOX M 5x10	P...472 E
39	Engine boarding	800.511
40	Pair of carbon brushes	800.156 KB
41		800.370
42		800.375
43	Stop screw nut M 5	P...493 G

# RA 900 Sauber Electronic

As at: 01/15/10 Time:21:58



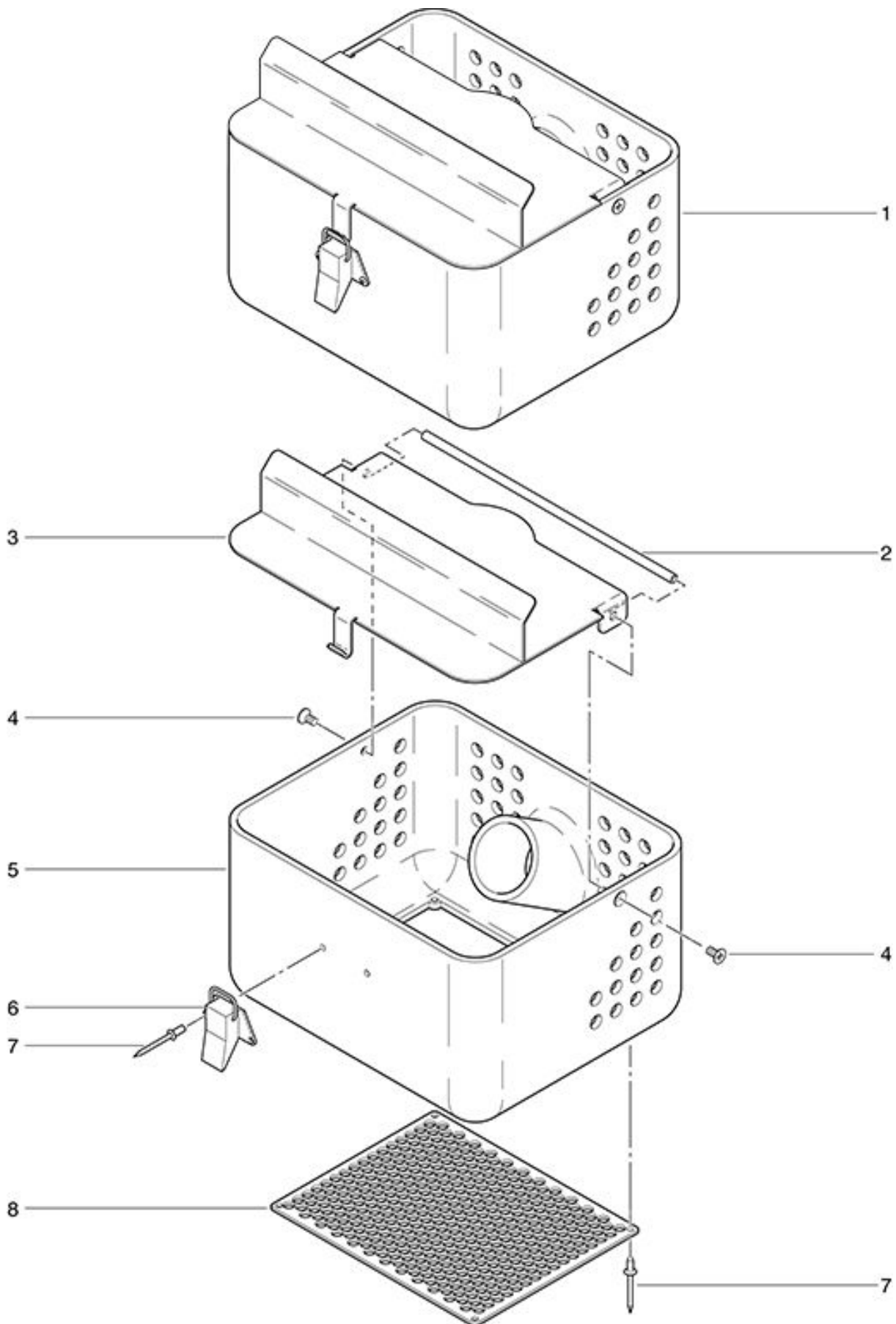
# RA 900 Sauber Electronic

As at: 01/15/10 Time:21:58

<b>Pos.</b>	<b>Description</b>	<b>Reference</b>
01	Allen screw M 8x16	P...489 I
02	Pressure spring compl.	800.484
03	Sink allen screw M 6x16	P...487 W
04	Holder for pull rope	800.478
05	Fuse switch	710.323
06	Allen screw M 4x12	P...486 B
07	Allen screw M 8x12	P...488 X
08	Serrated washer M 8	P...499 F
09	Round bumper M 6x20x15	500.499
10	Owner control	800.709
11	Allen screw M 6x12	P...486 Q
12	Trio + Controller 150 A to machine no. 8610	800.705
12	Trio + Controller 150 A from machine no. 8611.001	800.705 A
13	Serrated washer M 5	P...498 D
14	Allen screw M 5x25	P...488 K
15	Pin-type insulator M 8	P...366 A
16	Grub screw M 8x40	P...483
17	U-shim	P...496 P
18	Fuse 125 A	800.704
19	insulating nut M 8	710.353
21	Cableloop socket 80A-battery	800.715
22	Cableloop chargeplug 80A-electronic	910.716
23	Cable bushing 14 mm	P...207 A
24	Signal alarm	800.535
25	Terminal box bottom part	P...379
26	Terminal box cover	P...379 A
27	PT-screw KA 30x14	P...516 S
28	Allen crew M 5x40	P...486 N
29	Hour meter	800.703
30	Holding plate f. hour meter to machine No.8733.001	800.702
31	Distance sleeve 5.2x10x10	P...509 F
32	Blanking cover hour meter to machine No.8733.001	800.701

**RA 900 Sauber**  
**Filter for raw parts**

As at: 01/15/10 Time:21:56



# RA 900 Sauber

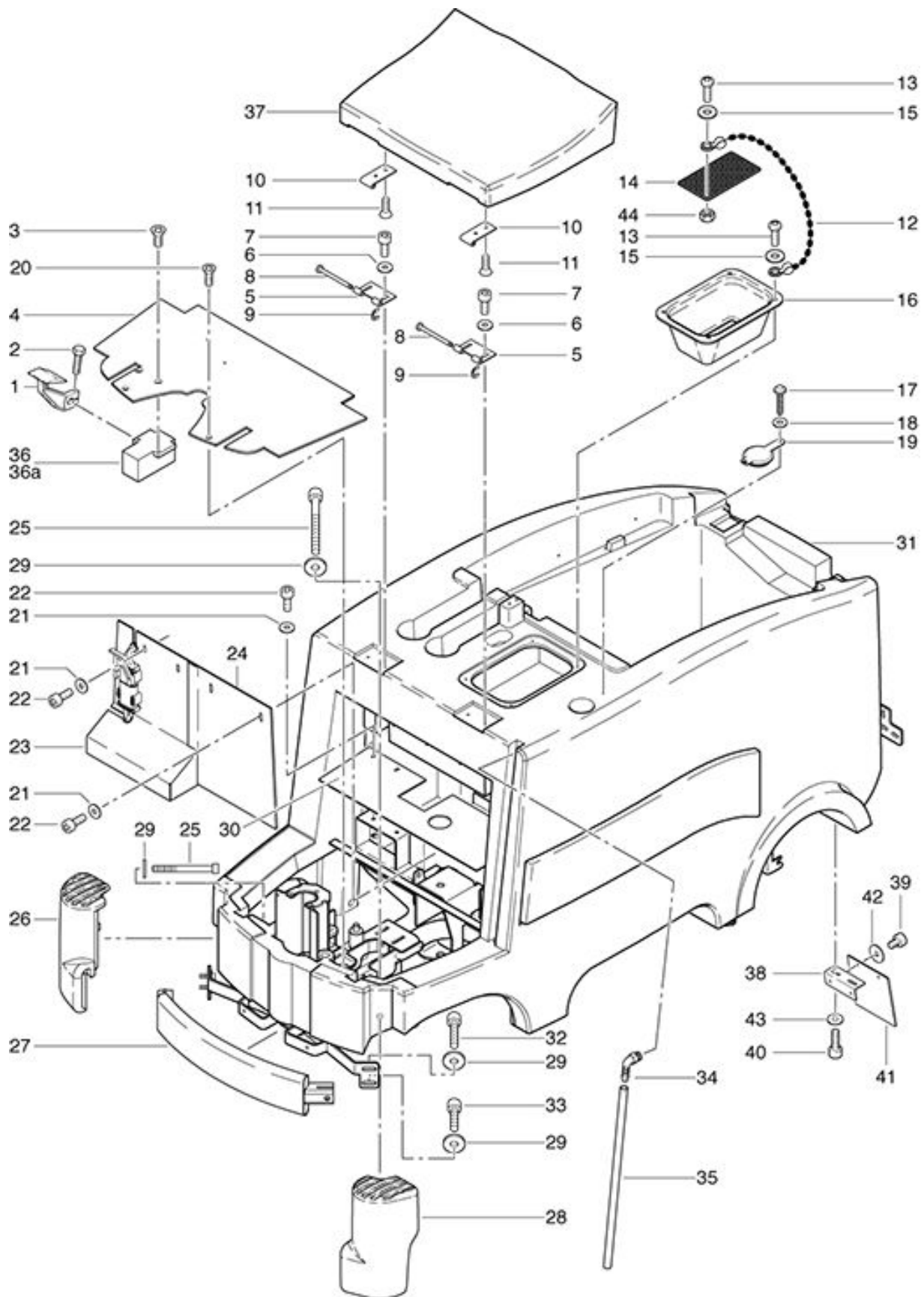
## Filter for raw parts

As at: 01/15/10 Time:21:56

<b>Pos.</b>	<b>Description</b>	<b>Reference</b>
01	Filter for raw parts	800.640
02	Axle	800.643
03	Holder compl.	800.641
04	Countersunk-head screw A2 M 4x12	P...480 E
05	Filter for raw parts	800.646
06	Spring catch	800.644
07	Button head rivet Ø 3x6 A2 DIN 660	P...485 N
08	Perforated plate	800.642

# RA 900 Sauber Freshwatertank

As at: 01/15/10 Time:21:56



# RA 900 Sauber Freshwatertank

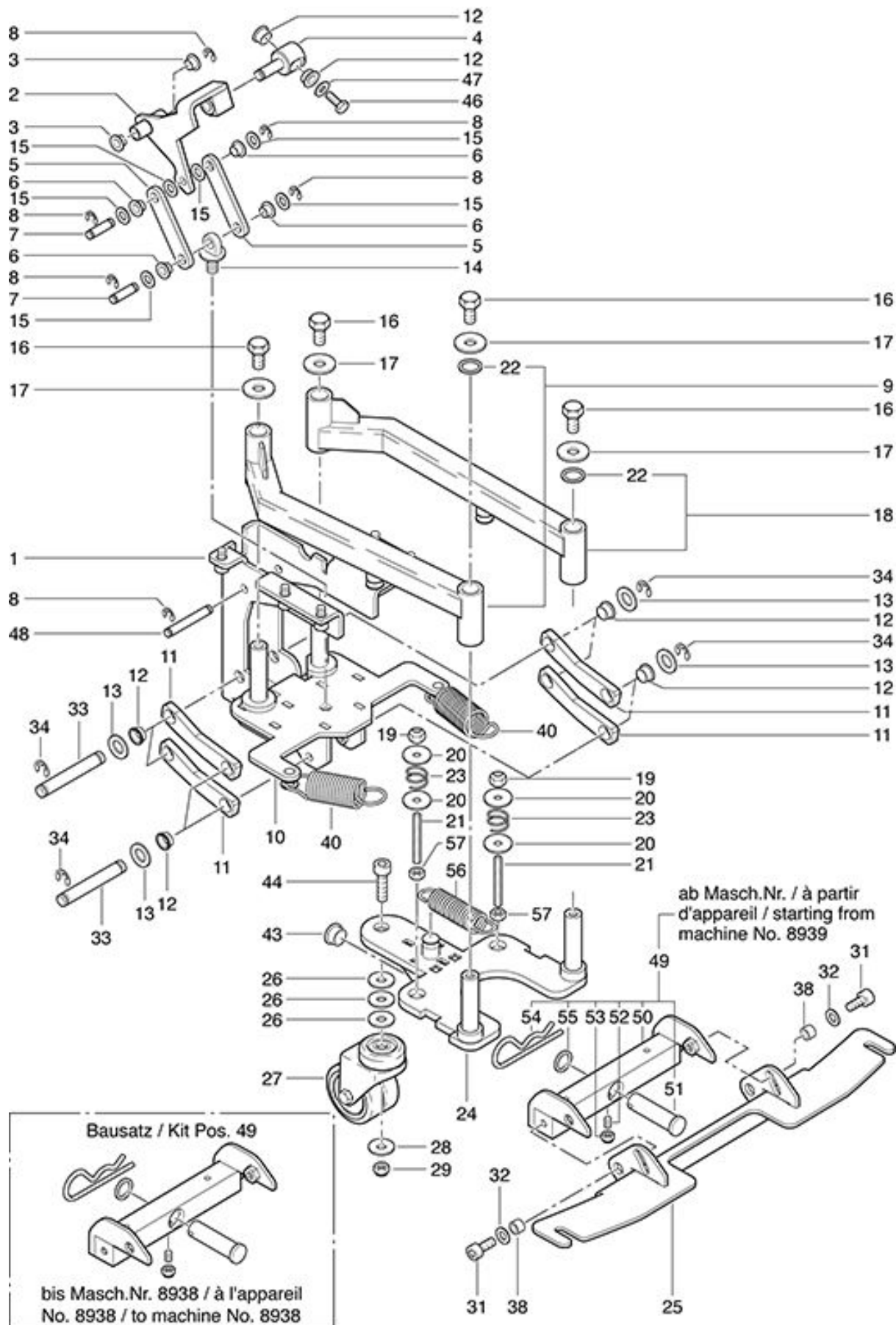
As at: 01/15/10 Time:21:56

<b>Pos.</b>	<b>Description</b>	<b>Reference</b>
01	Foot pedal drive motor	800.003
02	Allen screw M 6	P...470 U
03	Allen screw M 8x12	P...479 R
04	Bottom plate	800.490
05	Hinge front	800.477
06	U-shim M 6	P...496 V
07	Allen screw M 8x16	P...488 P
08	Spindle for seathing	800.488
09	Lock washer	P...513 Z
10	Hinge for seat cushion	800.489
11	Allen screw M 6x12	P...487 U
12	Chain to perforated plate	060.105
13	Allen screw M 5x10	P...481 L
14	Perforated plate	800.497
15	U-shim M 5	P...497 G
16	Funnel tube	800.496
17	Sheet screw 4.8x19	P...483 O
18	U-shim M 4	P...497 C
19	Cover freshwatertank	800.465
20	Sink allen screw M 6x16	P...487 W
21	U-shim M 6	P...497 H
22	Allen screw M 6x16	P...486 R
23	Rear panel right	800.493
24	Rear panel left	800.492
25	Allen screw M 8x100	P...472 X
26	Corner bumper front right	800.360
27	Bumper compl.	800.345
28	Corner bumper front left	800.365
29	U-shim M 8	P...495 Z
30	Cover plate	800.494
31	Freshwatertank compl.	800.450
32	Allen screw M 8x40	P...487 I
33	Allen screw M 8x30	P...488 V
34	angle nozzle 12/ 3/8"	P...541 D
35	Level indicator	800.452
36	Potentiometer drive motor	800.005
36a	Pedal with potentiometer drive motor	800.710
37	Seat cushion	800.486
38	Support angle	800.473
39	Pen head screw M 6x8	P...475 P
40	Allen screw M 6x16	P...488 P
41	Spraying protection rag	800.626
42	U-shim M 6x25	P...510 L
43	U-shim M 6x18	P...497 H



**RA 900 Sauber**  
**Nozzle support**

As at: 01/15/10 Time:21:56



# RA 900 Sauber

## Nozzle support

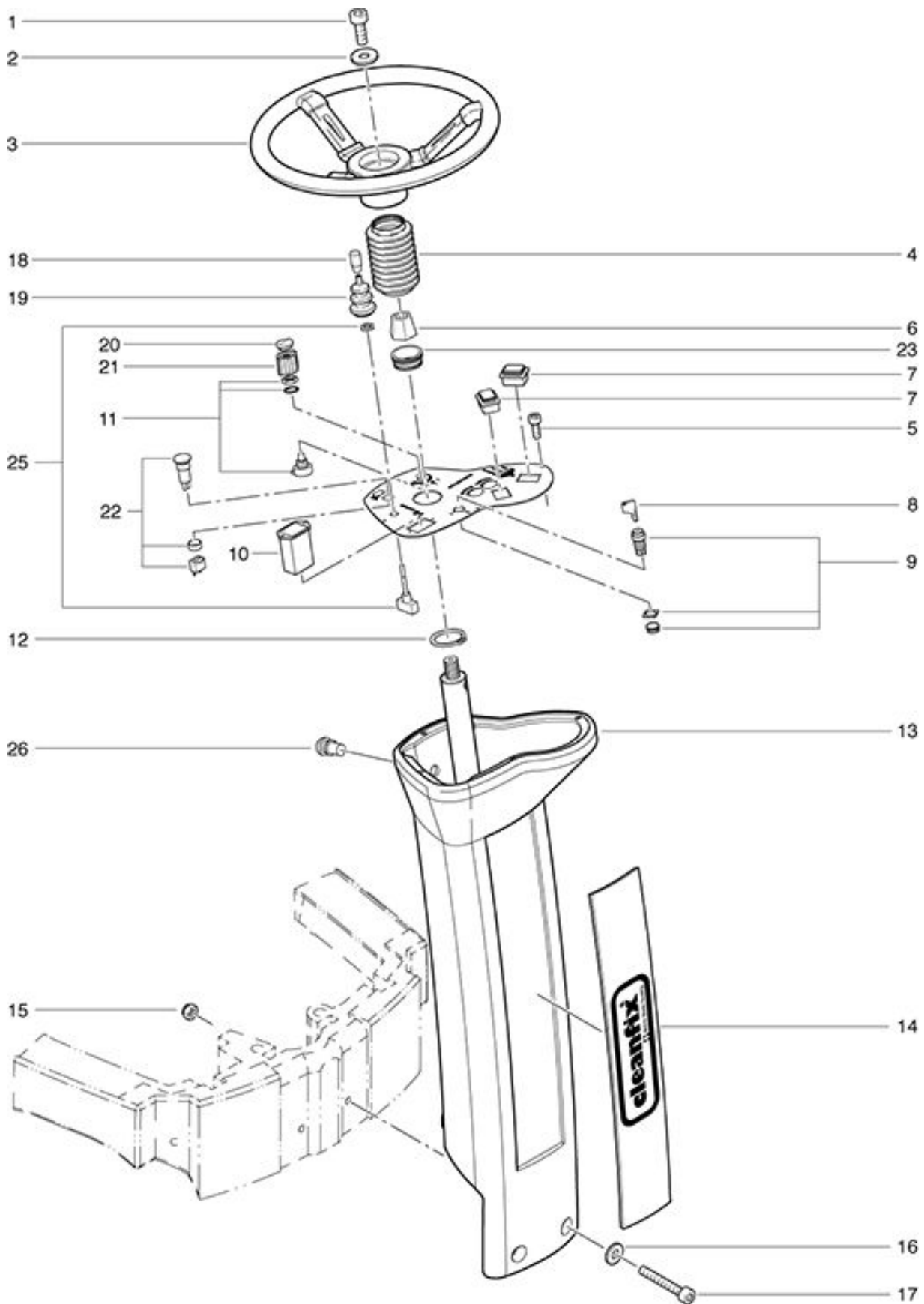
As at: 01/15/10 Time:21:56

<b>Pos.</b>	<b>Description</b>	<b>Reference</b>
01	Nozzle support	800.152
02	Lever	800.271
03	permaglide sleeve 10/12	500.123
04	Guide pin	800.273
05	Connectiong loop	800.286
06	Permaglide sleeve 8/10	P...321 D
07	Axis	800.275
08	Lockring Ø 6	P...500 K
09	Tturnpipe left compl. incl. Pos. 22	800.295 K
10	Mounting plate compl.	800.280
11	Rod	800.278
12	Permaglide sleeve 12/14	P...321 F
13	U-shim M 12	P...497 S
14	Articulation cone	800.284
15	U-shim M 8	P...496 P
16	Allen screw M 10x16	P...472 W
17	U-shim M 10	P...510 M
18	Turnpipe right	800.296
19	Locknut M 6	P...493 K
20	Spacer Ø 6x25	P...510 L
21	Grub allen screw M 6x60	P...489 M
22	Permaglide sleeve 16/18/12	800.289
23	Pressure spring	P...809 E
24	Turn plate compl.	800.294
25	Nozzle support angle	800.430
26	U-shim M 8	P...497 T
27	Double swivel roller Ø 50	P...205 D
28	U-shim M 8	P...496 P
29	Locknut M 8	P...492 N
30	Put before spring	P...511 D
31	Allen screw M 8x16	P...489 I
32	U-shim M 8	P...497 T
33	Axis 12x82	800.279
34	Shearing shim Ø 12	P...500 P
38	Distance sleeve 8 mm	710.547
40	Mainspring	800.287
43	Permaglide sleeve	800.289
44	Allen screw M 8x35	P...487 ZA
46	Allen screw M 5x16	P...472 G
47	U-shim M 5	P...497 I
48	Axle to lever	800.272
49	Nozzle holder compl.	800.427
50	Nozzle holder starting from masch. No. 8939	800.427 A
51	Pin starting from masch. No. 8939	800.426

52	Grub screw M 6x12 starting from masch. No. 8939	P...480 ZA
53	Stopp nut starting from masch. No. 8939	P...493 K
54	Fuse starting from masch. No. 8939	P...511 D
55	Washer starting from masch. No. 8939	P...496 AB
56	Mainspring	800.293
57	Hexagon nut M 6	P...490 D

**RA 900 Sauber**  
**Steering column**

As at: 01/15/10 Time:21:57



# RA 900 Sauber

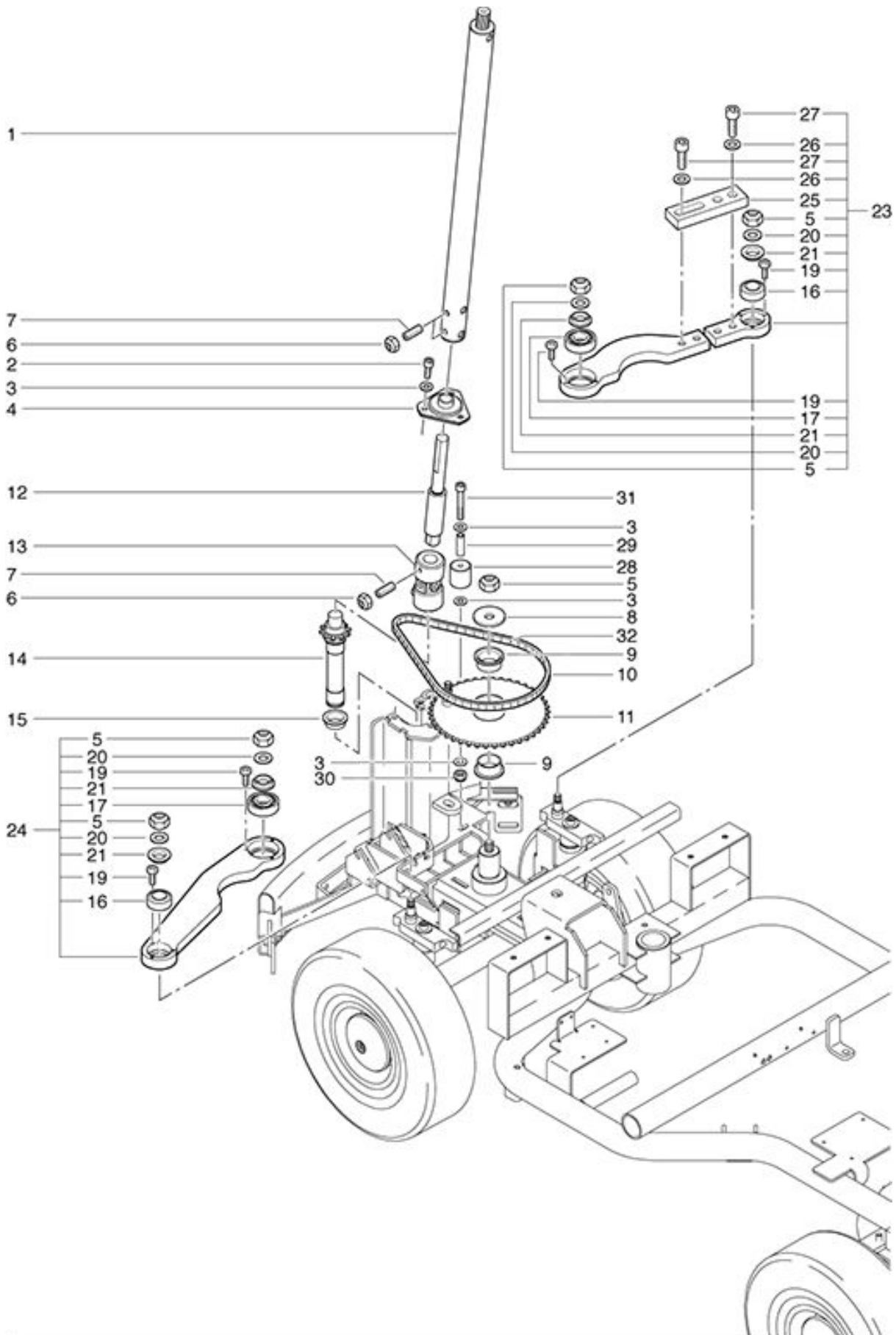
## Steering column

As at: 01/15/10 Time:21:57

<b>Pos.</b>	<b>Description</b>	<b>Reference</b>
01	Allen screw M 8x20	P...487 B
02	U-shim 6x25	P...510 L
03	Steering wheel	800.328
04	Bellows	800.327
05	Allen screw M 4x12	P...488 A
06	Cone	800.330
07	Compensater switch 24 V DC	P?241
08	Spare key	P...244 B
09	Key holder	560.361
10	Univers. Trucharge Display Module	800.708
11	Potentiometer with nut 10 kOhm	560.371
12	Lock ring Ø 35	P...801 J
13	Steering column	800.500
14	Cover plate	800.501
15	Locknut M 8	P...492 H
16	U-shim M 8	P...495 Z
17	Allen screw M 8x55	P...489 H
18	Cylinder handle bar	800.521
19	Protection bellows	800.520
20	Cover	560.373
21	Turn button	560.372
22	Press button yellow	800.527
23	Bearing sleeve	800.329
24	Control panel	800.512
25	Rocker arm lever with nut	800.515
26	Emergency off-switch round	800.530

**RA 900 Sauber**  
**Steering element**

As at: 01/15/10 Time:21:57



# RA 900 Sauber

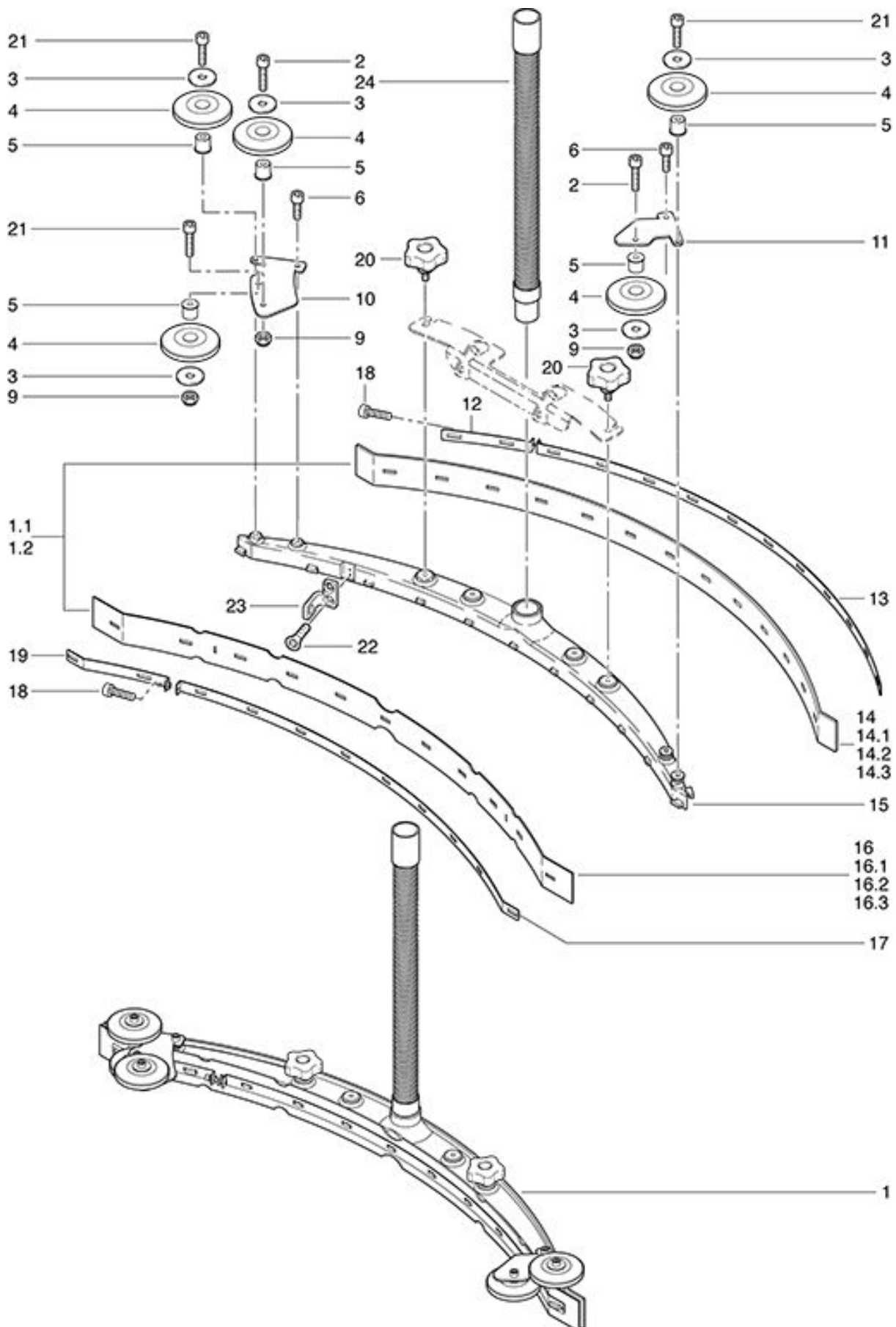
## Steering element

As at: 01/15/10 Time:21:57

<b>Pos.</b>	<b>Description</b>	<b>Reference</b>
01	Steering column	800.307
02	Allen screw M 6	P...486 X
03	U-shim M 6	P...497 H
04	Bearing housing	800.311
05	Locknut M 12	P...492 T
06	Locknut M 8	P...492 H
07	Grub allen screws M 8x20	P...482 U
08	U-shim 13x45	P...500 O
09	Permaglide sleeve Ø 30	P...321 A
10	Steering chain	800.190
11	Sprocket	800.201
12	Steering column spindle	800.309
13	Universal joint	800.315
14	Bearing column for steering column	800.305
15	Permaglide sleeve Ø 25	P...321 C
16	Bearing link	P...325
17	Ball bearing 6001 ZZ	P...316 J
19	Lens head screw	P...476 O
20	U-shim M 12	P...497 S
21	Distance sleeve for steering	800.187
23	Steering rod right compl. including items 5,16,17,19-21,25-27	800.169
24	Steering rod left compl. including items 5,16,17,19-21	800.168
25	Fish-plate	800.170
26	U-shim M 8	P...496 P
27	Allen screw M 8x20	P...487 B
28	Slide block	800.192
29	Can	800.211
30	Locknut M 6	P...493 K
31	Allen screw M 6x45	P...488 U
32	Connecting link with feather/spring	800.191

**RA 900 Sauber**  
**Suction nozzle**

As at: 01/15/10 Time:21:57



# RA 900 Sauber

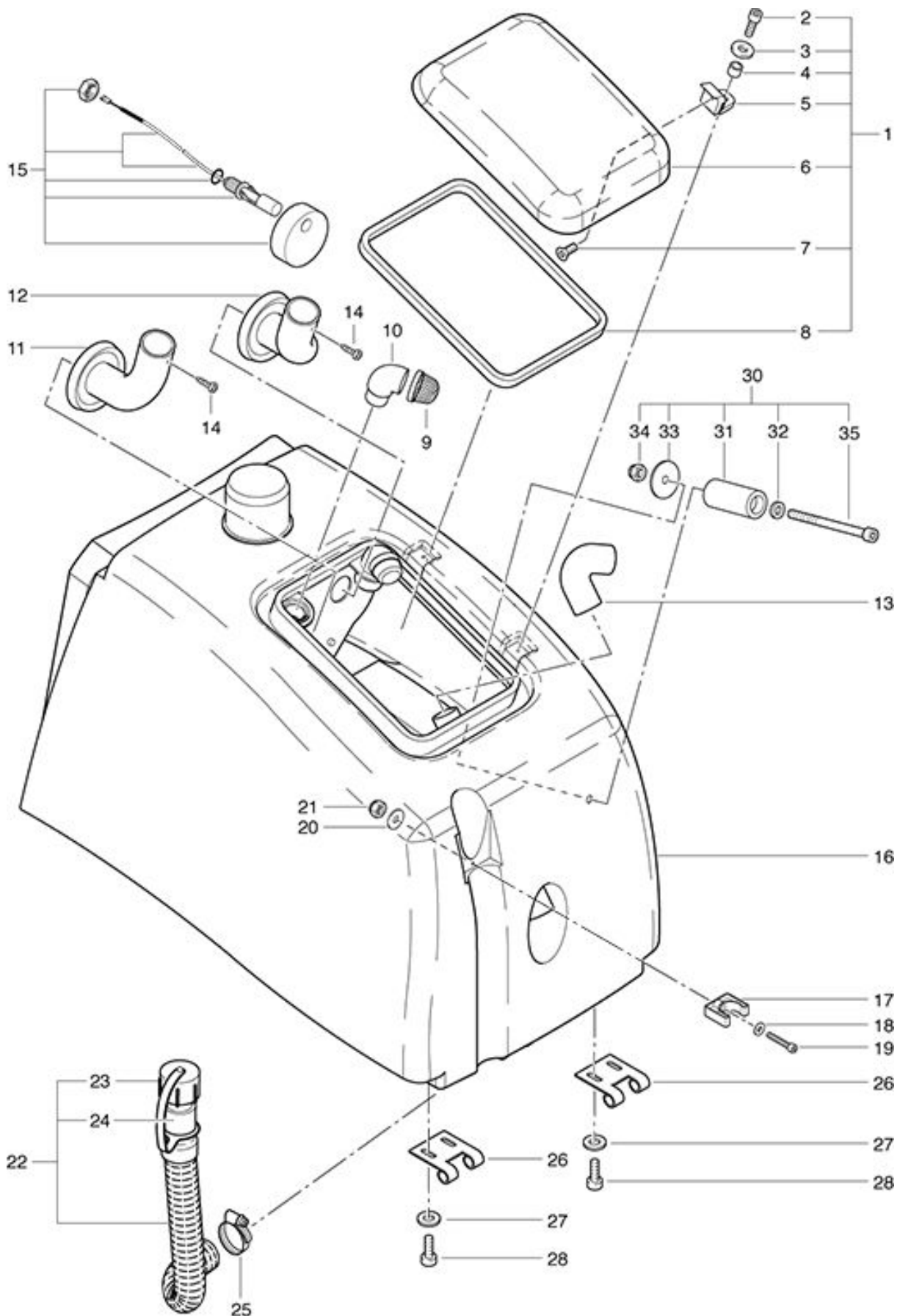
## Suction nozzle

As at: 01/15/10 Time:21:57

<b>Pos.</b>	<b>Description</b>	<b>Reference</b>
01	Suction nozzle compl.	800.550
01.1	Rubber blade, oil resistant	800.081
01.2	Rubber blade, standard	800.082
02	Allen screw M 8x40	P...473 E
03	U-shim M 8	P...500 N
04	Roller	800.561
05	Bolt short	800.423
06	Allen screw M 8x20	P...489 J
09	Locknut M 8	P...491 U
10	Fastening plate right	800.417
11	Fastening plate left	800.418
12	Holding plate small back	800.413
13	Support rail	800.411
14	Vacuum nozzle back, beige 5 mm	800.603
14.1	Vacuum nozzle back, transparency 5 mm	800.605
14.2	Vacuum nozzle back, beige 5 mm	800.603 A
14.3	Vacuum nozzle back, transparency 5 mm	800.605 A
15	Suction nozzle body	800.415
16	Vacuum nozzle front, grey 3 mm	800.602
16.1	Vacuum nozzle front, transparency 3 mm	800.604
16.2	Vacuum nozzle front, grey 3 mm	800.602 A
16.3	Vacuum nozzle front, transparency 3 mm	800.604 A
17	Holding front	800.414
18	Adjusting screw	800.425
19	Holding plate front	800.412
20	Asterisk grasp screw Ø 62 M 8x16	P...253 J
21	Allen screw M 8x35	P...473 D
22	Countersunk screw	P...479 A
23	Guidance angle	800.416
24	Hose complete	800.580

**RA 900 Sauber  
Wastewater tank**

As at: 01/15/10 Time:21:57



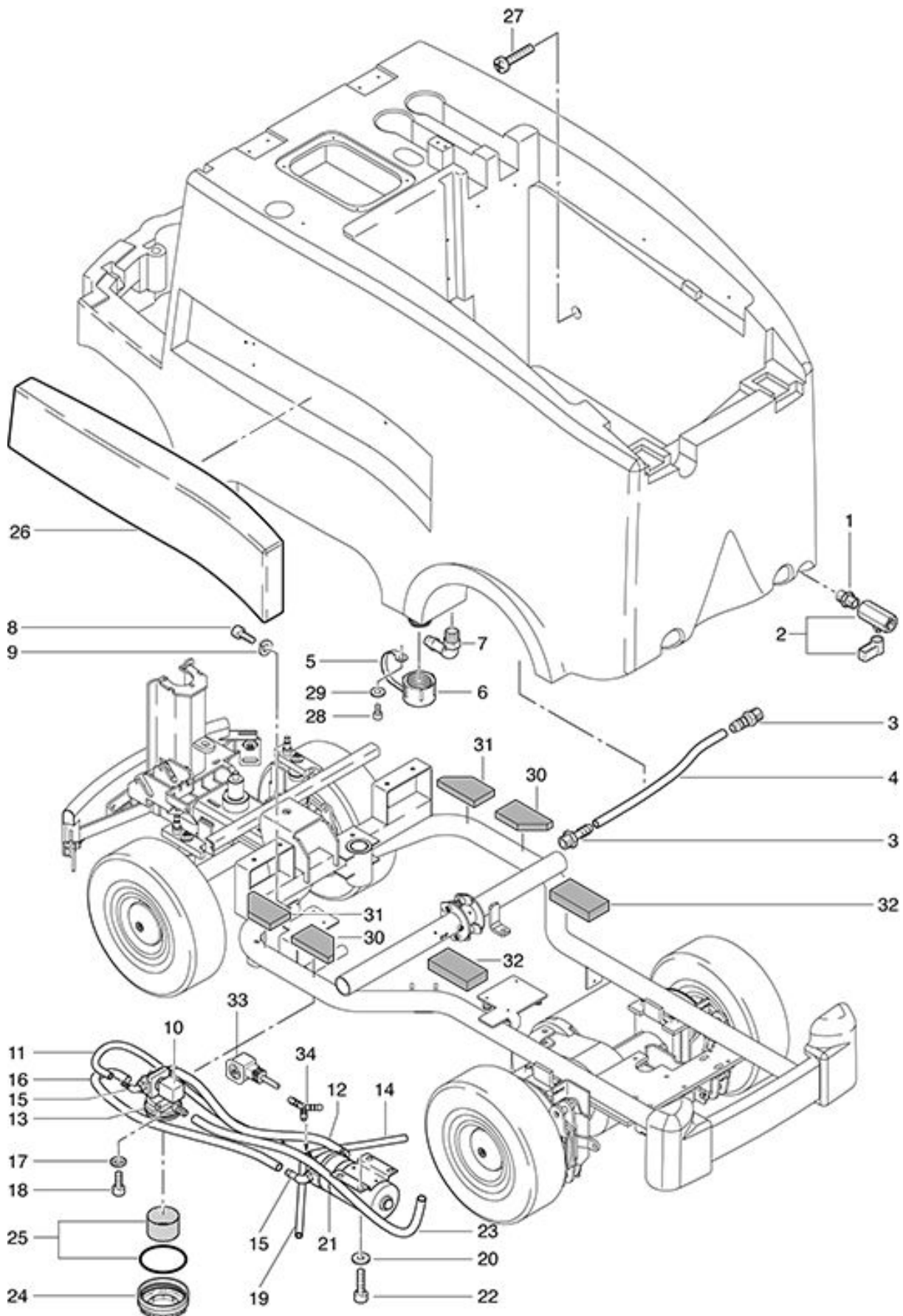
# RA 900 Sauber Wastewater tank

As at: 01/15/10 Time:21:57

<b>Pos.</b>	<b>Description</b>	<b>Reference</b>
01	Cover compl.	800.610
02	Allen-screw 5x10	P...489 E
03	U-shim M 6	P...497 K
04	Distance-sleeve	430.618
05	Frame-joint cover	710.122
06	Cover	800.613
07	Countersink M 4x8	P...480 O
08	Cover-seal	710.121
09	Filterscreen	400.766 A
10	Suction bend	430.735
11	Suction beak left	800.627
12	Suction beak right	800.625
13	Angle	560.674
14	Tapping screw 3.5x9.5	P...484 N
15	Float incl. level sensor	800.671
16	Wastewater tank	800.606
17	Holder for hose	P...109 A
18	U-shim M 5	P...497 G
19	Allen-screw M 5x25	P...488 K
20	U-shim M 5	6230217
21	Stop screw nut M 5	P...493 G
22	Downspout hose	800.125
23	Cap for hose socket	500.410
24	Hose socket	500.409 A
25	Hose clamp	P...206 D
26	Frame joint for wastewatertank	800.615
27	U-shim M 6	P...497 K
28	Allen-screw M 6x12	P...486 R
30	Tab compl. Pos. 31-35	800.617
31	Tab	800.616
32	U-shim M 8	P...497 T
33	U-shim Ø 54x10.5x3 mm	P...204 A
34	Stop screw nut M 8	P...492 N
35	Allen screw M 8x100	P...489 A

**RA 900 Sauber  
Waterdistribution**

As at: 01/15/10 Time:21:58



# RA 900 Sauber

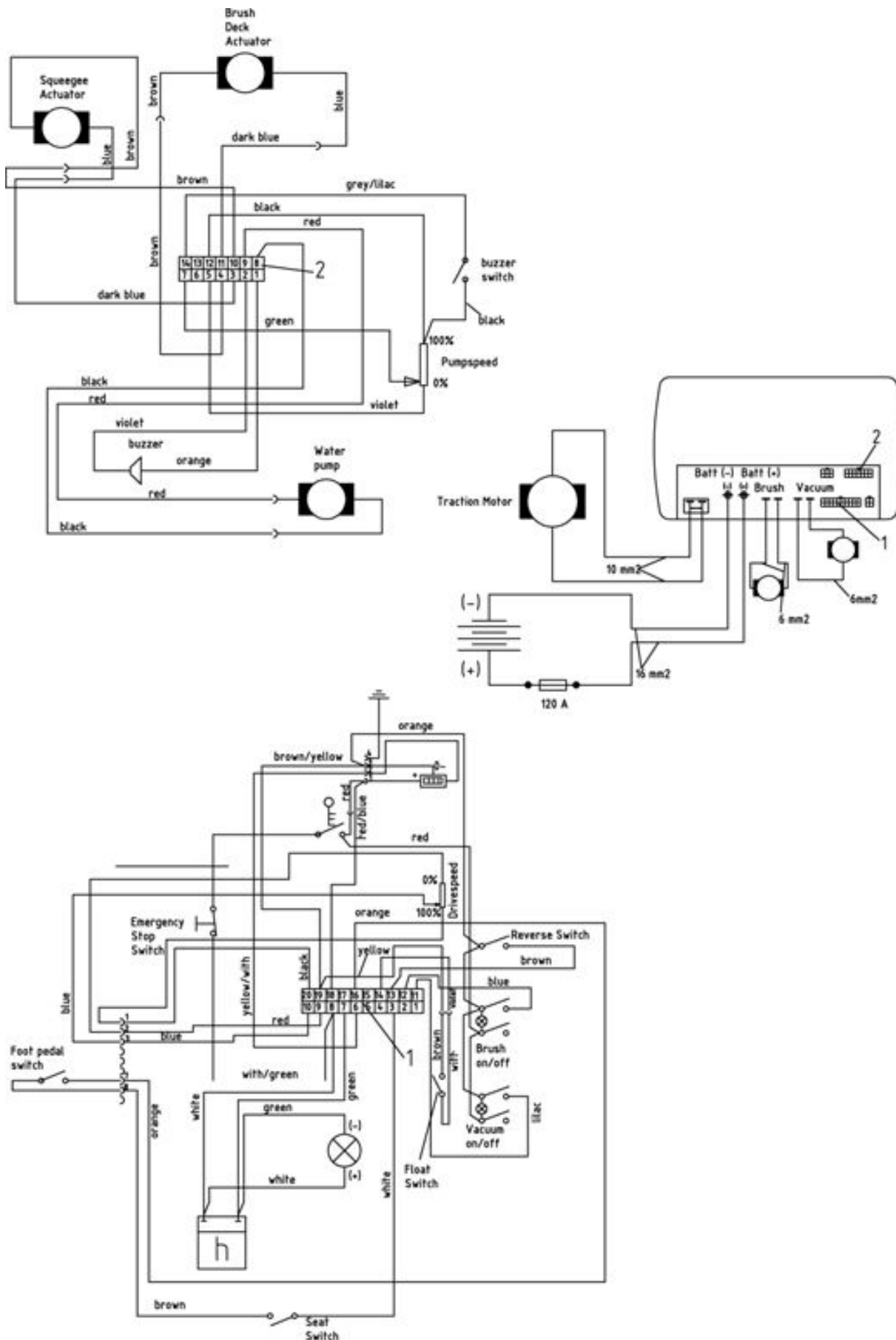
## Waterdistribution

As at: 01/15/10 Time:21:58

<b>Pos.</b>	<b>Description</b>	<b>Reference</b>
01	Double nipple	P...520 E
02	Ball stop cock	500.355 A
03	Nipple straight 12/R 3/8"	P...540 N
04	Connecting hose	800.048
05	Loop for cover	500.414
06	Cover	500.413
07	Angle nipple	P...541 C
08	Allen screw M 4x12	P...488 A
09	Spring ring M 4	P...500 E
10	Magnetic valve	500.291 E
11	Hose magnetic valve	800.045
12	Hose pump	800.043
13	Water filter	430.759 A
14	Hose brush right	800.047
15	Angle nipple	P...541 D
16	Hose water filter	800.042
17	Serrated washer M 4	P...499 B
18	Allen screw M 4x12	P...486 A
19	Hose brush left	800.046
20	U-shim M 5	P...497 E
21	Membrane pump 24 V	P?824
22	Allen screw M 5x20	P...488 I
23	Hose freshwatertank-filter	800.041
24	Filter cover	430.258
25	Filter kit	430.759 A
26	Impact protection	800.470
27	PT screw KA 50x35	P...515 N
28	Allen screw M 6x16	P...497 H
29	U-shim M 6	P...488 P
30		800.454
31		800.454 A
32	Rubber documents to freshwater tank starting from Masch.Nr.8736.001	800.461
33	Single solenoid valva plug	800.316
34	Y-piece 8 mm	P...542 E

# RA 900 Sauber Wiring diagram

As at: 01/15/10 Time:21:58



# RA 900 Sauber Wiring diagram

As at: 01/15/10 Time:21:58

**Pos. Description**

**Reference**