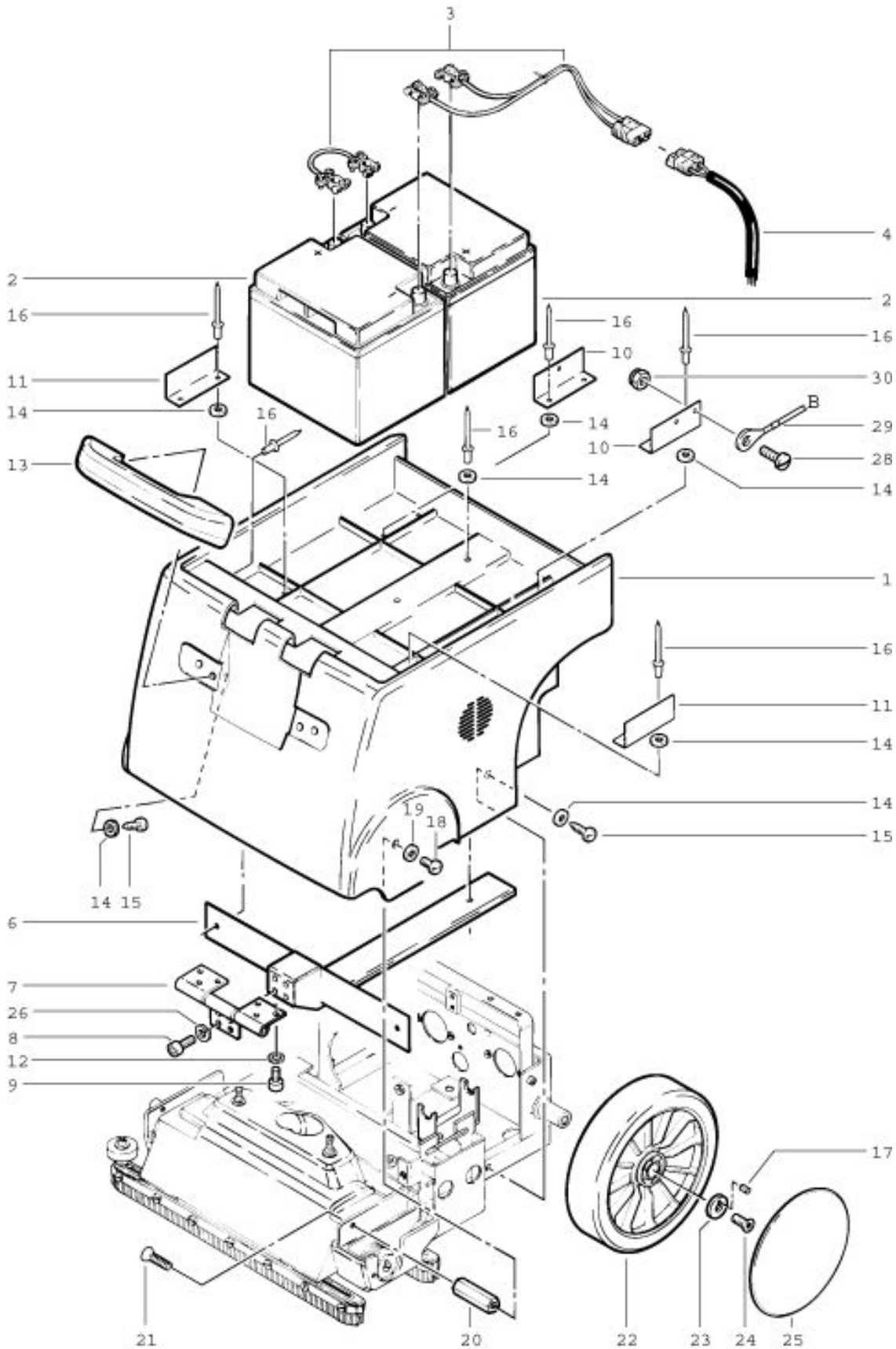


RA 410 B
Battery

As at: 01/15/10 Time:17:09



RA 410 B

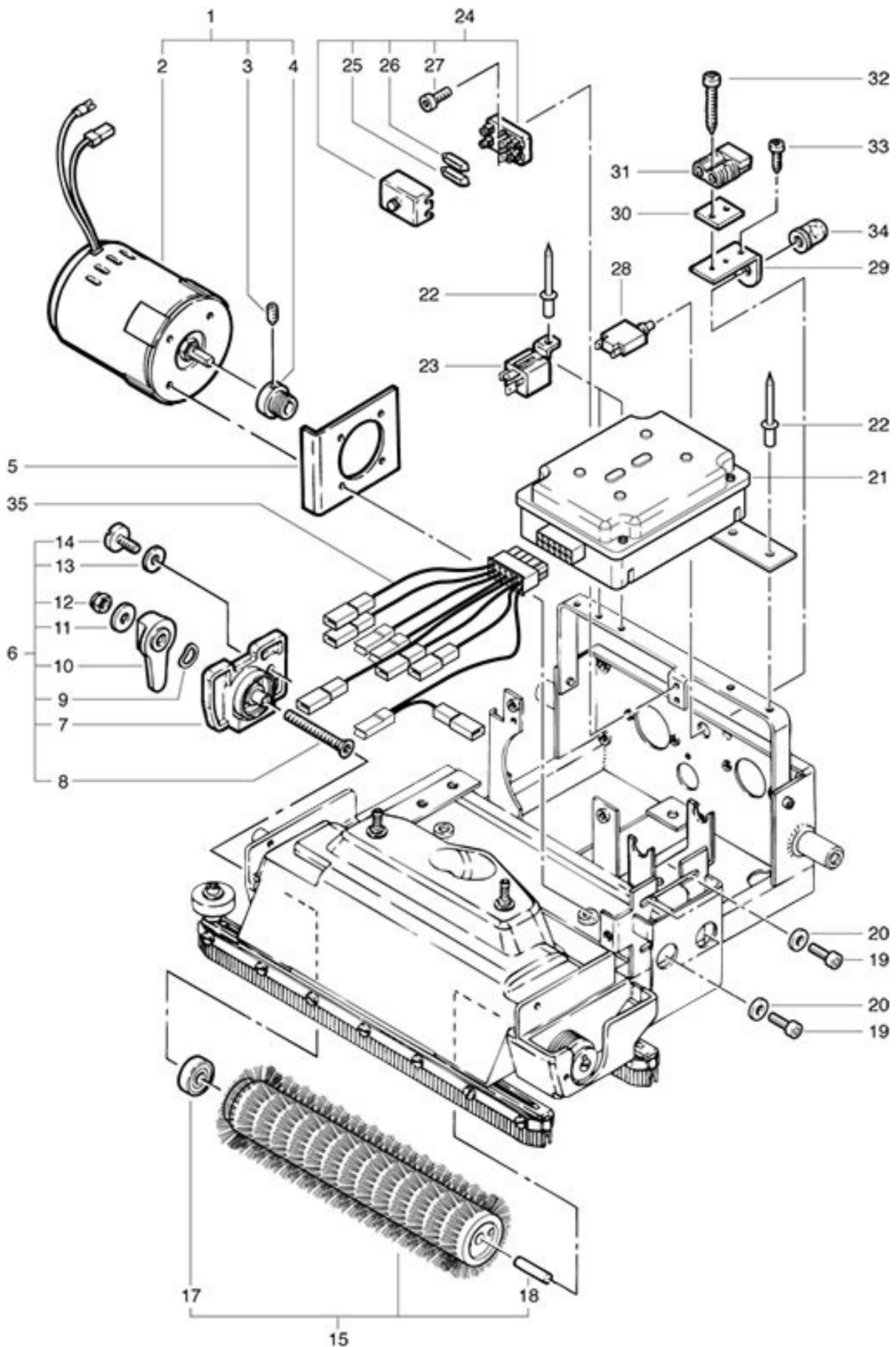
Battery

As at: 01/15/10 Time:17:09

Pos.	Description	Reference
	Fully automatic battery charger for gel batteries	686.310
	Fully automatic battery charger for wet batteries	686.300
01	Chassis cover	416.711
02	Set of 2 wet batteries (2x50 Ah)	490.090
02	Set of 2 wet batteries (2x50 Ah)	490.091
03	Batterie cable lead	490.994
04	Motor cable lead (after serial no. 7918)	416.238
04	Motor cable lead	440.232
06	Support	416.719
07	Hinge	420.391
08	Hexagon socket screw M 6x12 mm	P...486Q
09	Hexagon socket screw M 5x10 mm	P...489E
10	Angle	416.718
11	Angle	416.717
12	Spring ring M5	P...498D
13	Handle	077.560
14	Washer M5	P...497E
15	PT-Screw KA 50x18 mm	P...516Q
16	Rivet	P...485C
17	Pin	P...512L
18	Pan head screw M 5x12 mm	P...475I
20	Distance piece SW 12x45 mm	411.118
21	Countersunk screw M 5x10 mm	P...480B
22	Wheel dm 200x54 mm	411.240
23	Attaching washer 30x3 mm -including item 17-	P...499
24	Countersunk screw M 6x12 mm	P...487U
25	Wheel cover	530.242
26	Spring ring M6	P...498U
28	Hxagon socket screw M 5x8 mm	P...488E
29	Nylon string	490.745
30	Stopp nut M5	P...493G

RA 410 B Brush motor

As at: 01/15/10 Time:17:10



RA 410 B

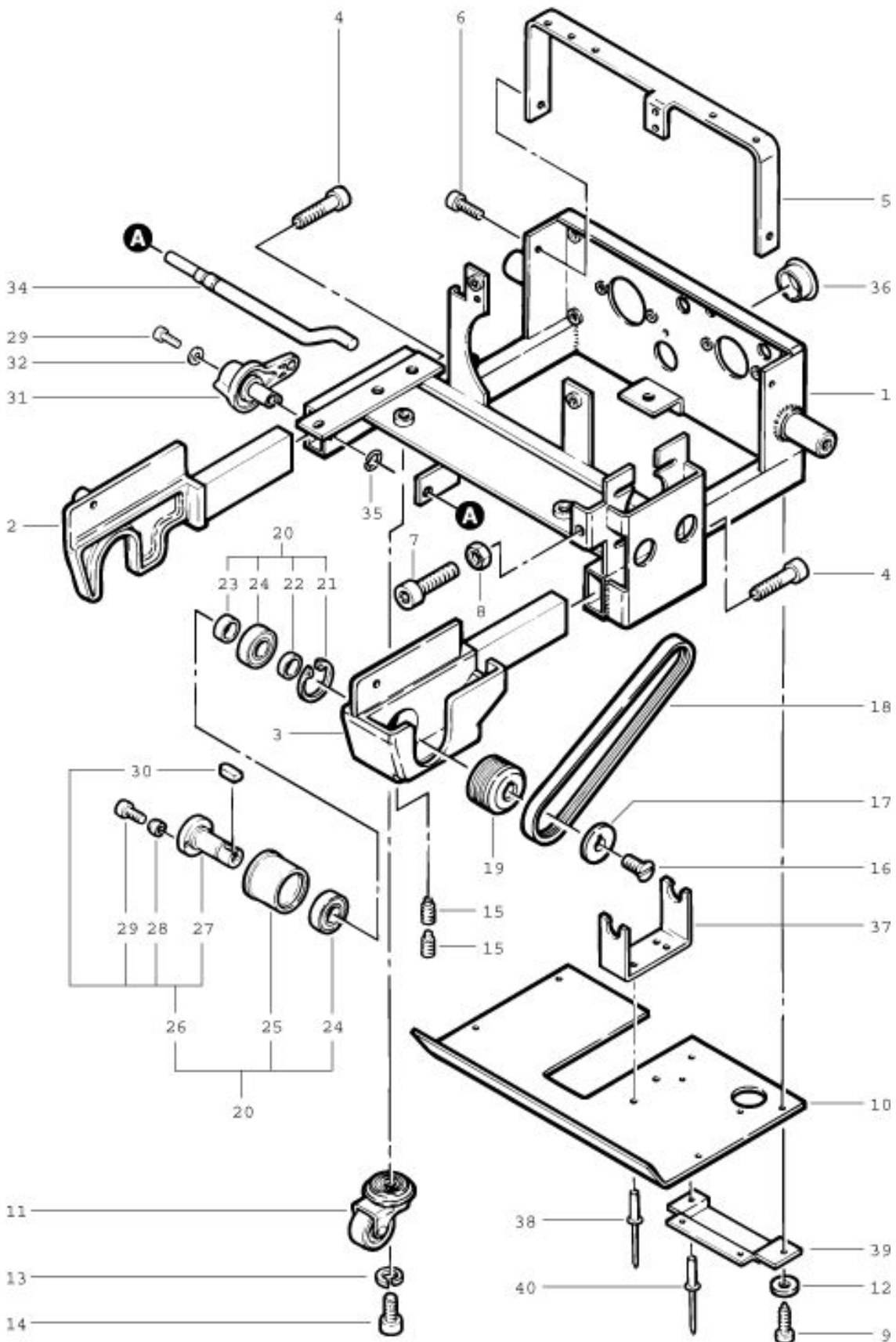
Brush motor

As at: 01/15/10 Time:17:10

Pos.	Description	Reference
01	Brush motor complete including Items 2-4	440.202
01	Brush motor complete including Items 2-4 (after serial no. 7918)	416.202
02	Motor 24 V DC	400.203
03	Threaded pin M 5x5 mm	P...482Z
03	Threaded pin M 6x10 mm (after serial no. 7918)	P...484Y
04	Belt pulley (after 7918)	400.284
05	Motor holder 110x90x3 mm	400.291
06	Brush support complete including Items 7-14	400.450
07	Brush support	400.465
08	Countersunk screw M 6x60 mm	P...479T
09	Spring washer	P...498X
10	Support	400.461
11	Washer M6	P...496L
12	Stopp-nut M6	P...492K
13	Washer M5	P...497E
14	Special screw M 5x12 mm	400.475
15	Brush complete including Items 17+18	400.470
17	Ball bearing dm 12x32 mm	P...316D
18	Centrepin dm 8x38 mm	400.478
19	Hexagon I-screw M 5x14 mm	P...488F
20	Washer M5	P...496G
21	Electronic panel for pump (after serial no. 7918)	416.230
22	Blind rivet dm 5x8 mm	P...485F
23	Relais 24V/20 A	470.759
24	Distribution box complete	500.956
25	Fuse 25 A	P...407 T
26	Fuse 5 A	P...407S
27	Hexagon I-screw M 4x16 mm	P...486B
28	Motor protection switch	440.234
29	Angle	440.102
30	Connecting piece	440.103
31	Plug complete	P...357
32	Screw dm 2,9x19 mm	P...481T
33	Screw dm 2,9x9,5 mm	P...483G
34	Protection cap	500.957A
35	Electronic cable	416.234

RA 410 B
Chassis

As at: 01/15/10 Time:17:11



RA 410 B

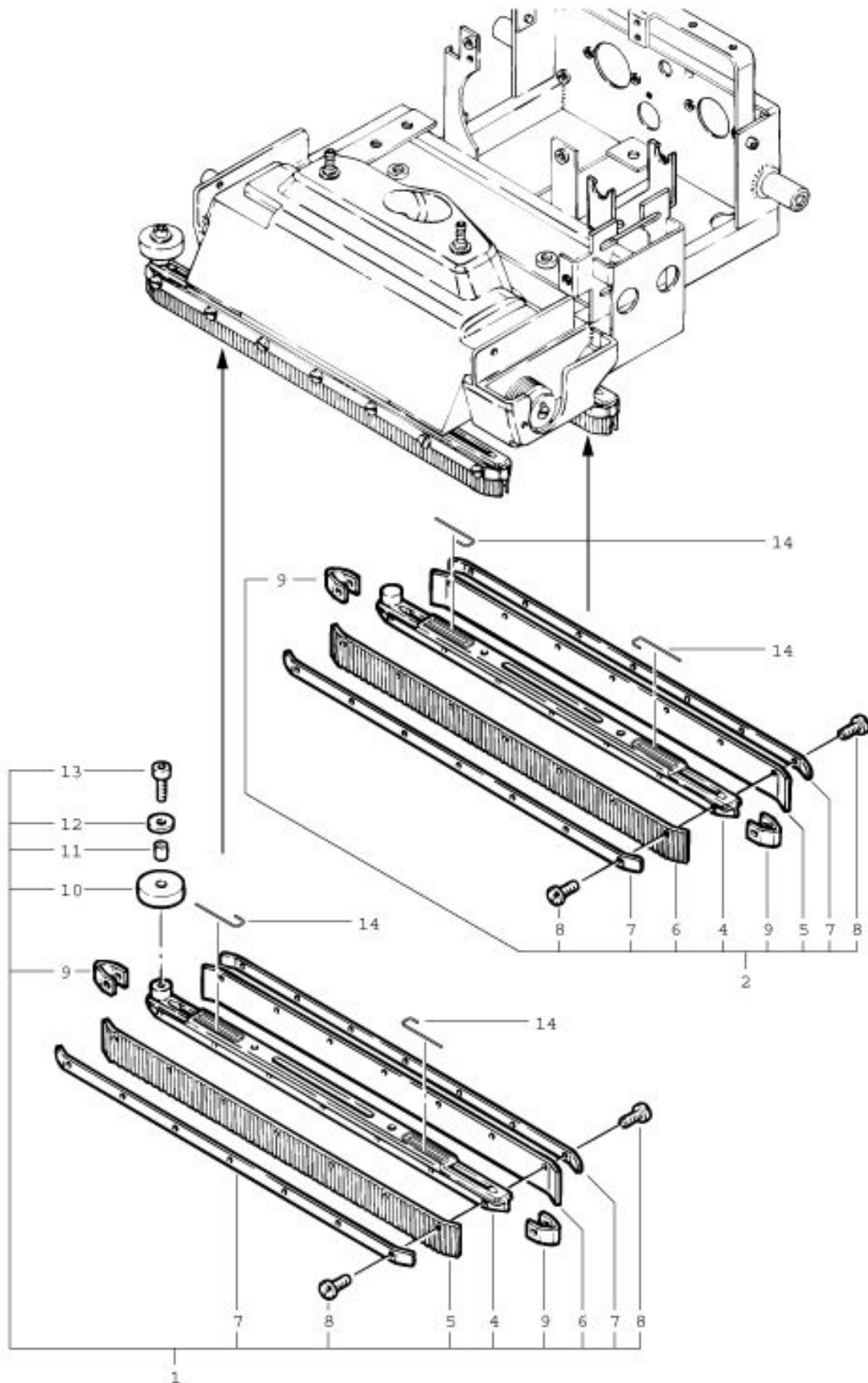
Chassis

As at: 01/15/10 Time:17:11

Pos.	Description	Reference
01	Chassis	411.111
02	Right support	411.114
03	Left support	400.113
04	Hex. socket screw M 6x25 mm	P...486T
05	Frame	420.352
06	Hex. socket screw M 4x8 mm	P...480C
07	Hex. socket screw M 8x25 mm	P...487D
08	Hexagon nut M8	P...490E
09	Screw 2,9x9,5 mm	P...483G
10	Bottom plate (after serial no. 7918)	411.801
10	Bottom plate	481.801
11	Castor	P...205B
12	Washer M3	P...497B
13	Spring ring M10	P...498E
14	Hex. socket screw M 10x25 mm	P...487K
15	Thread pin M 5x5 mm	P...482Z
16	Countersunk screw M 6x12 mm	P...487U
17	Attaching washer	P...499
18	Driving belt	420.425
19	Belt pulley	400.415
20	Brush axle complete including Items 21-30	400.401
21	Retaining ring I 32	P...514K
22	Distance ring 18/15x4 mm	400.414
23	Distance ring 13/15x6,8 mm	400.413
24	Ball bearing	P...316M
25	Bearing box	400.410
26	Axe complete including Items 27-30	400.405
27	Axle	400.411
28	Distance ring	400.418
29	Hex. socket screw M 4x8 mm	P...488D
30	Wedge	400.420
31	Lever	411.460
32	Washer M5	P...497E
34	411.140	411.140
35	Security washer dm 6,35 mm	P...499X
36	Cover 22,5x30,5 mm	P...171A
37	Pumpholder	P...207B
38	Blind rivet dm 5x8 mm	P...485F
39	Exhaust cover	411.803
40	Blind rivet dm 4x8 mm	P...485C

RA 410 B
Front suction nozzle

As at: 01/15/10 Time:17:11



RA 410 B

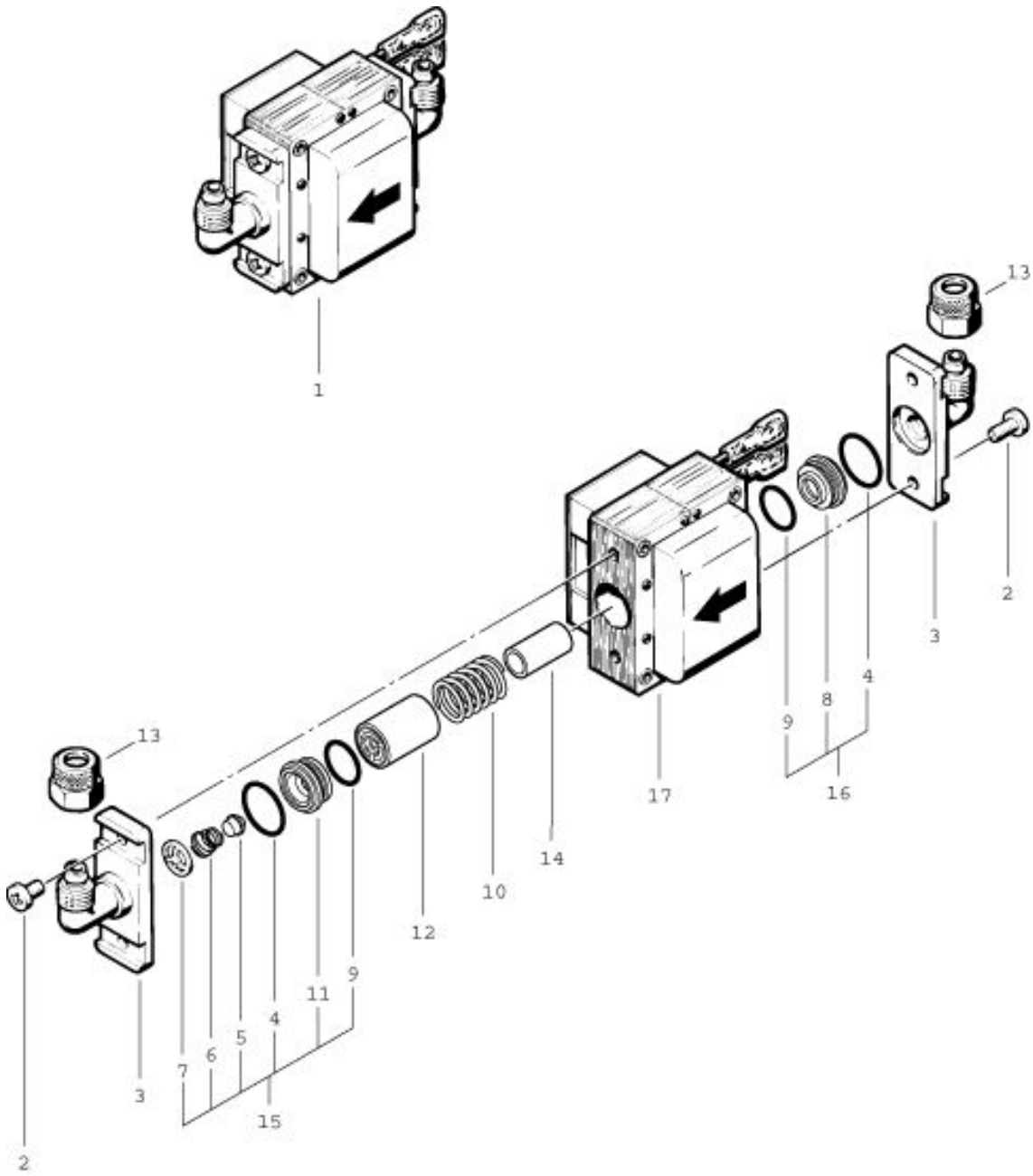
Front suction nozzle

As at: 01/15/10 Time:17:11

Pos.	Description	Reference
	Squeegee set complete including items 5,6+9 2 x blue rubber blades 2 x green rubber blades 4 x protection piece	400.505
01	Front suction nozzle compl. including items 4-13	400.520
02	Rear suction nozzle compl. including Items 4-9	400.530
04	Suction nozzle	400.538
05	Outer lamella (blue)	400.540
06	Inner lamella (green)	400.545
07	Clamping plate 448x10x2,5 mm	400.534
08	Pan head M 4x10 mm	P...475V
09	Protection piece 50/10x1 mm	400.535
10	Fender wheel 40x10 mm	400.521
11	Distance piece 8/5x5,5x10,5 mm	400.522
12	Washer M5	P...497E
13	Hexagon Socket screw M 5x16 mm	P...488G
14	Sealing string	400.505

**RA 410 B
Pump**

As at: 01/15/10 Time:17:11



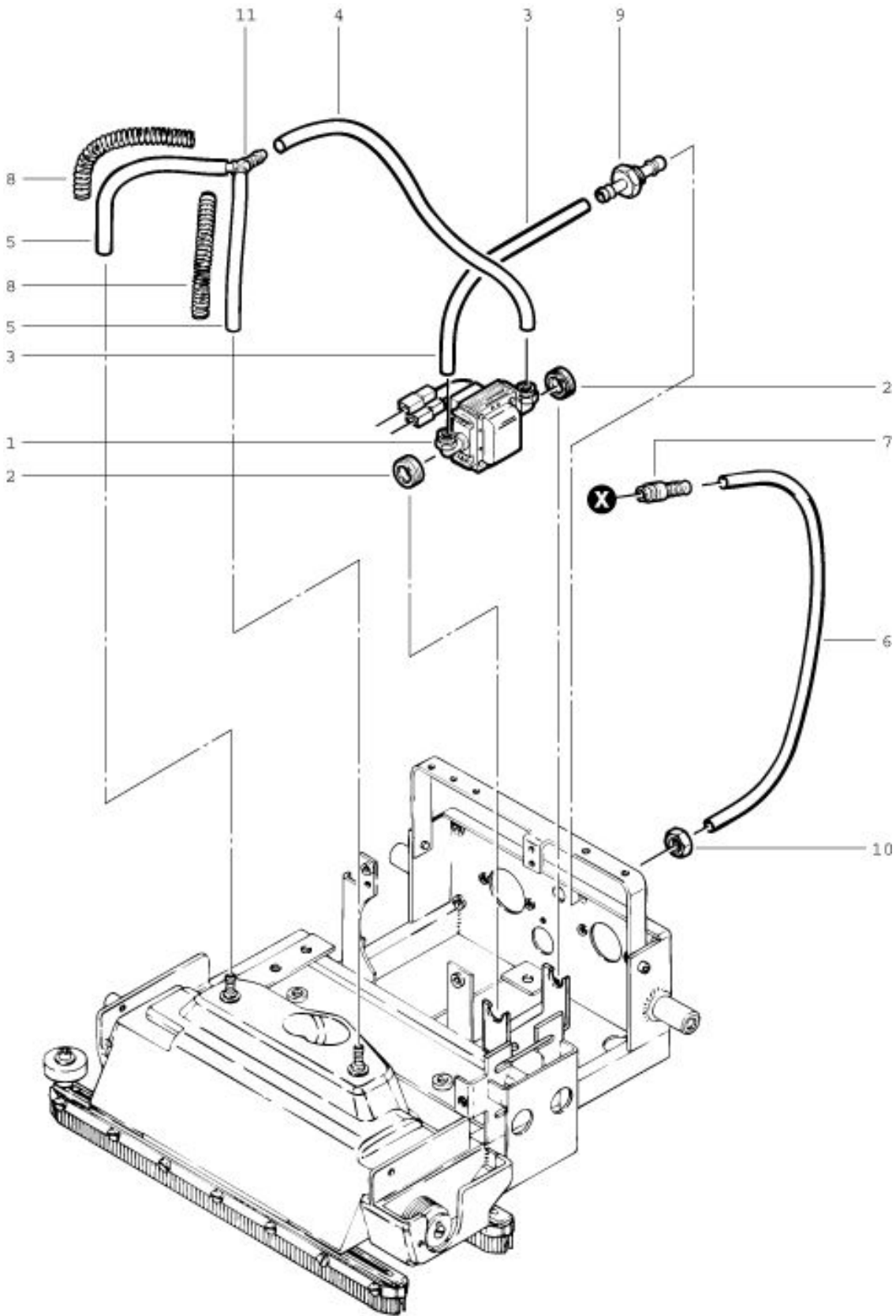
RA 410 B

Pump

As at: 01/15/10 Time:17:11

Pos.	Description	Reference
01	NDS-C-pump 24 volts after serial no. 7918	P...817
02	Raised head screw M 4x10	P...481M
03	Angled fitting NW 6	P...810M
04	O-ring 14x1,5 mm	P...809K
05	Valve cone	P...810S
06	Pressure spring	P...809P
07	Counter ring	P...809N
08	Spring support	P...809F
09	O-ring 12x1,5 mm	P...809L
10	Pressure spring for piston	P...809E
11	Valve seating	P...809Q
12	Piston	P...809B
13	Sleeved nut 8/6-M 12	P...523G
14	Distance piece	P...809 S
15	Valve seating compl. Including: items 4-7, 9+11	P...810 Y
16	Spring support compl. Including: items 4,8+9	P...810 X
17	Magnet coil 24 volts	P...816 B

RA 410 B
Pump assembly
As at: 01/15/10 Time:17:11



RA 410 B

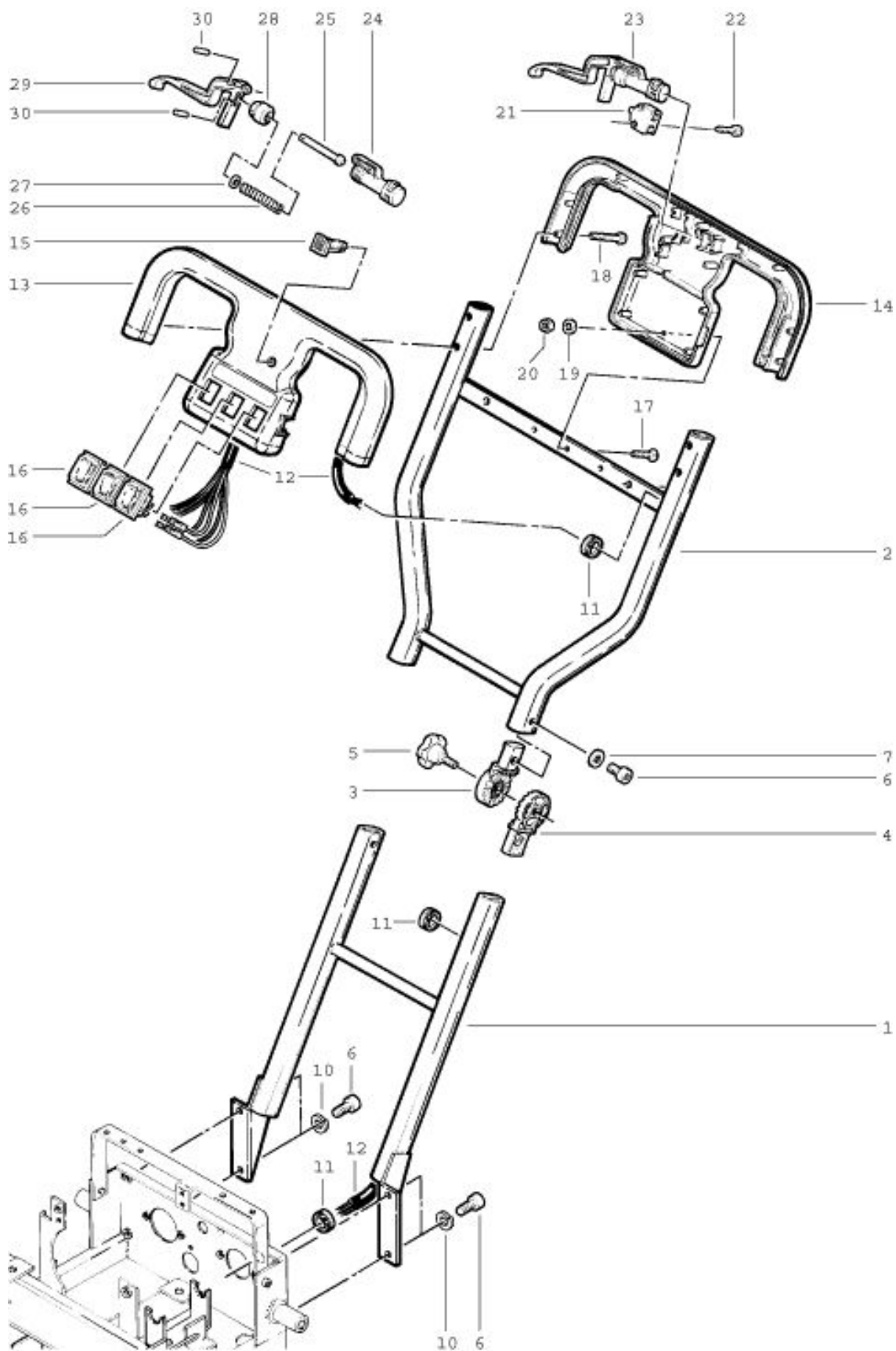
Pump assembly

As at: 01/15/10 Time:17:11

Pos.	Description	Reference
01	NDS-C-pump 24 volts after serial no. 7918	P...817
02	Grommet dm 14 mm	P...207A
03	Suction hose 8/6x170 mm	400.261A
04	Pressure hose 8/6x330 mm	400.262
05	Pressure hose 8/6x120 mm	400.261
06	Suction hose 8/6x630 mm	400.264
07	Connector	P...501D
08	Protection spring	900.162A
09	Double fitting	400.342
10	Hexagon nut G 1/8««	P...535I
11	Y-piece 6 mm	P...542D

RA 410 B
Pushbar

As at: 01/15/10 Time:17:13



RA 410 B

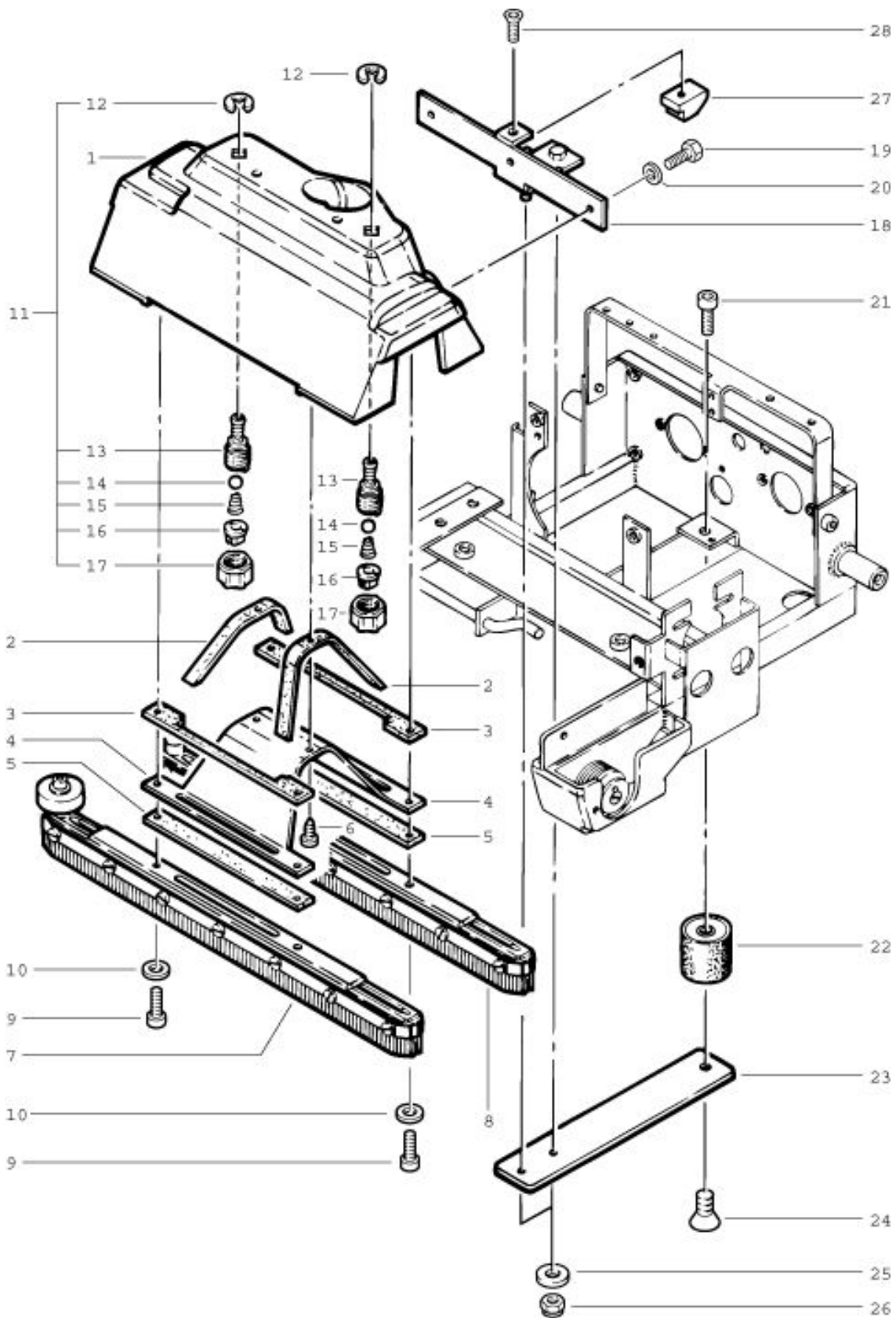
Pushbar

As at: 01/15/10 Time:17:13

Pos.	Description	Reference
01	Lower pushbar	480.652
02	Upper pushbar	420.650
03	Upper joint	420.601
04	Lower joint	420.602
05	Screw knob	P...253
06	Hexagon socket screw M 6x12 mm	P...486Q
07	Washer M6	P...496L
10	Spring ring M6	P...498U
11	Rubber clamp	P...408K
12	Wiring to handle	490.231
12	Wiring to handle (after serial no. 7918)	416.239
13	Upper handle housing	440.611
14	Lower handle housing	400.615
15	Warning lamp	P...398
16	Tumbler switch 24 V	P...241
17	Screw M 4x20 mm	P...481E
18	PT screw dm 3x30 mm	P...516B
19	Washer M4	P...497D
20	Hexagon nut M4	P...491Q
21	Switch	P...242
22	PT screw dm 3x20 mm	P...516E
23	Lever complete including Items 24-30	400.620
24	Valve body	400.622
25	Valve pin	P...681D
26	Valve spring	P...681E
27	Washer M5	P...497G
28	Cap nut	P...681B
29	Lever	400.621
30	Cül. Pin dm 1,5x14,5 mm	P...681K

RA 410 B
Suction canal

As at: 01/15/10 Time:17:13



RA 410 B

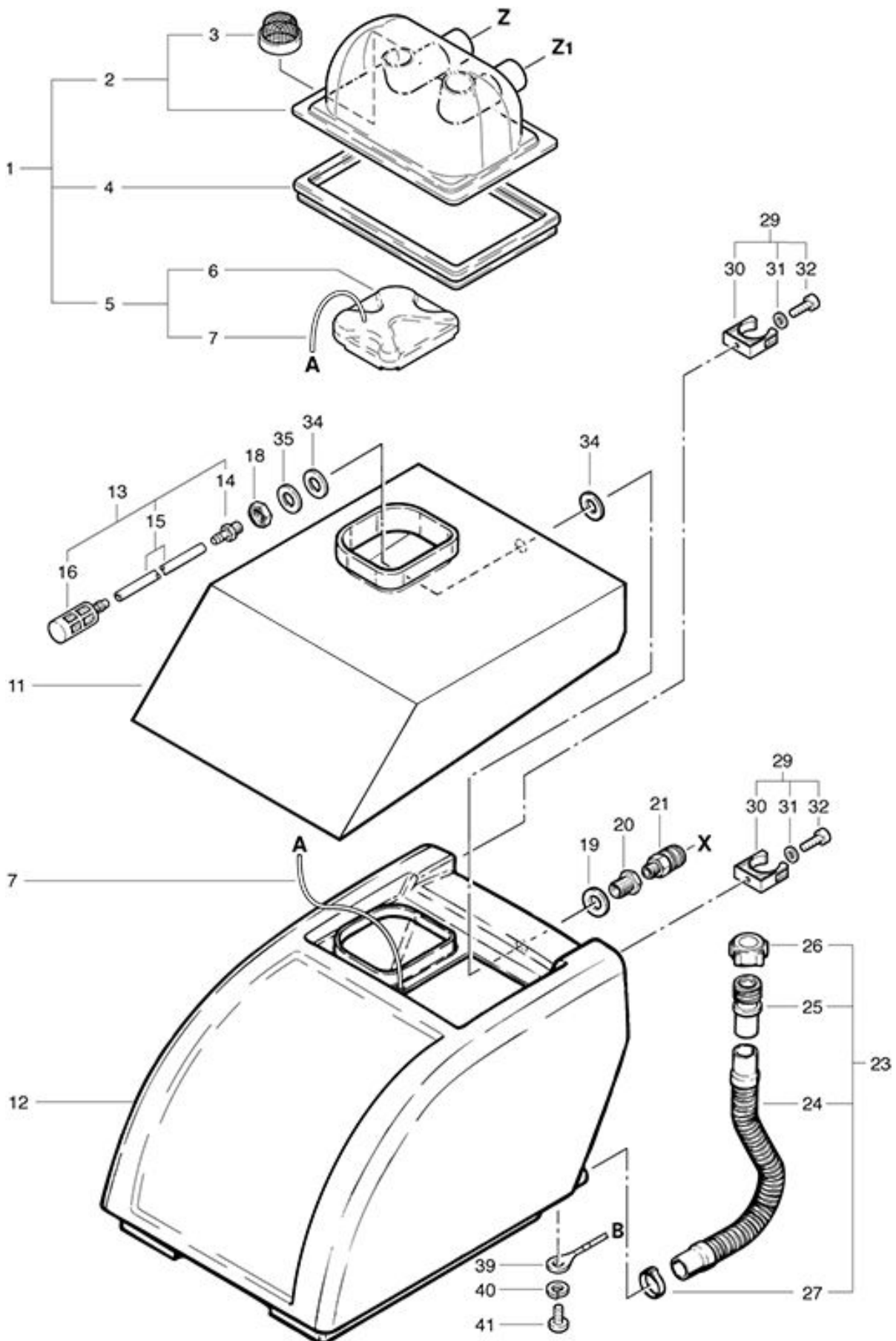
Suction canal

As at: 01/15/10 Time:17:13

Pos.	Description	Reference	
01	Suction nozzle	400.510	
02	Top seal 200x10x3 mm	400.561	
03	Top seal 190x18x3 mm	400.561A	
04	Cover 219,6x190x2 mm	400.560	
05	Lower seal 190x18x3 mm	400.563	
06	Pan Head screw M 4x10 mm	P...475V	
07	Front suction nozzle complete	400.520	
08	Rear suction nozzle complete	400.530	
09	Hexagon socket screw M 5x14 mm	P...488F	
10	Washer M5	P...497G	
11	Spraying nozzle complete including	Items 12-17	400.550
12	Security washer 9 mm	P...499N	
13	Holder for nozzle	400.551	
14	Ball for spraying nozzle	P...172W	
15	Pressure spring	P...444E	
16	Spraying jet yellow	P...602N	
17	Cup nut 3/8««	P...602D	
18	Nozzle holder 230x115x3 mm	400.394	
19	Hexagon screw M 5x12 mm	P...470H	
20	Serrated lock washer M5	P...498D	
21	Hexagon socket screw M 8x10 mm	P...487A	
22	Round buffer	420.393	
23	Arch 262x45x5 mm	411.396	
24	Countersunk screw M 8x12 mm	P...479R	
25	Washer M 5	P...496G	
26	Stopp-nut M5	P...493G	
27	Glider	411.391	
28	Countersunk screw M 4x8 mm	P...480C	

RA 410 B
Tank cover and fresh water tank

As at: 01/15/10 Time:17:13



Haube und Frischwassertank

RA 410 B

Tank cover and fresh water tank

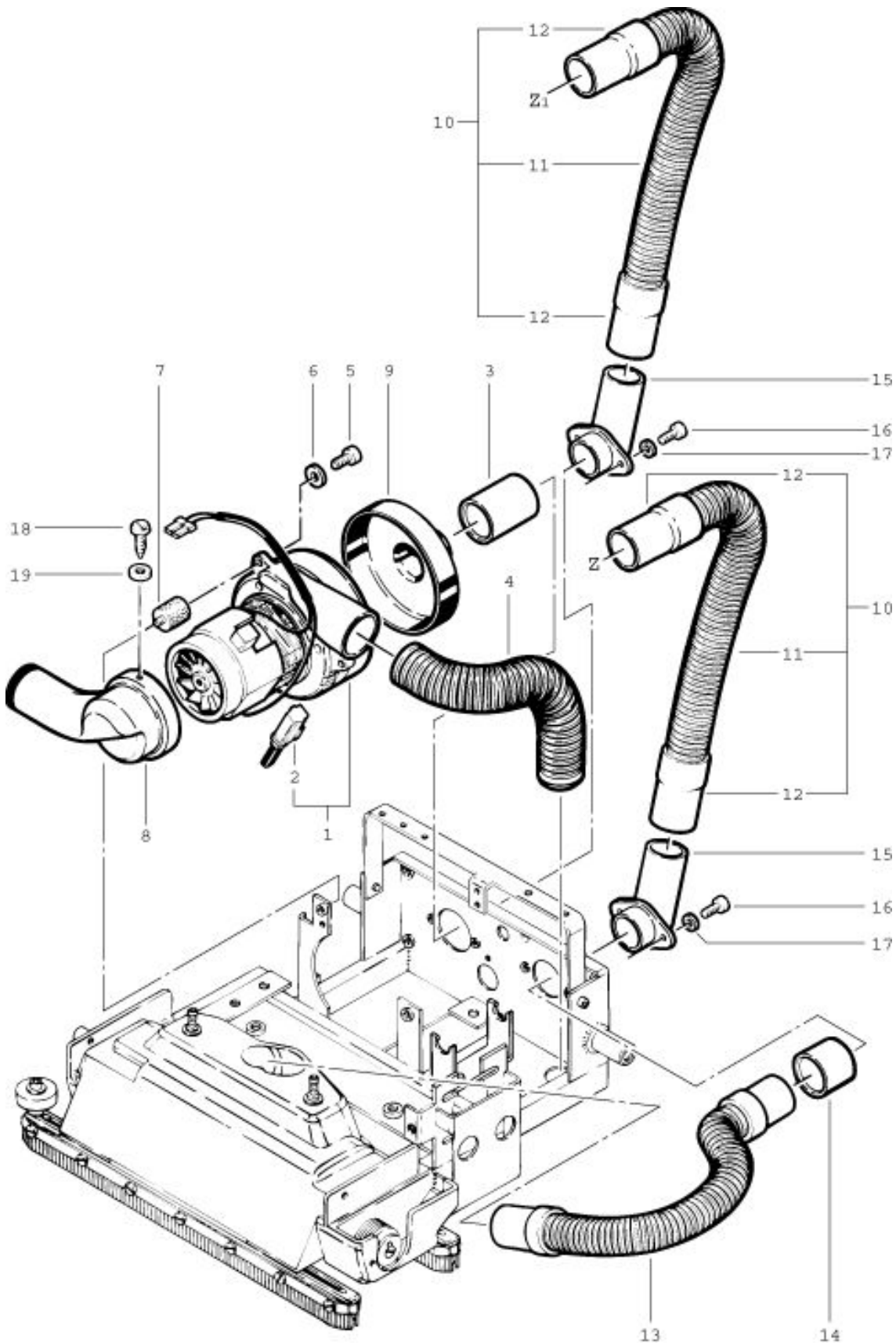
As at: 01/15/10 Time:17:13

Pos.	Description	Reference
01	Tank cover complete including Items 2-7	400.750
02	Tank cover with filter	400.756
03	Filter	400.766 A
04	Seal for cover	420.723
05	Clean water tank cover cpl. pos. 6+7	530.765
06	Clean water tank cover	530.758
07	Cordle	490.750
11	Fresh water tank	490.722
12	Tank	490.721
13	Suction hose complete including Items 14-16	490.725
14	Staight nipple G 1/4"	P...540 F
15	Suction hose 8/6 x 450	415.719
16	Fresh water filter	P...528
18	Nut G 3/8"	P...535 B
19	Gasket 30/17 x 2	P...097
20	Reducer G 3/8"-1/4"	P...535 J
21	Female quick connector 1/4"	P...500 B
23	Discharge hose complete including Items 24-27	480.740
24	Discharge hose 330 mm	480.741
25	Hose socket	500.409 A
26	Hose socket cap	500.410
27	Hose clamp Ø 36,5-39,6	P...553 R
29	Hose support complete including Items 30-32	400.445
30	Hose support	P...109 A
31	Washer M 5	P...497 G
32	Hexagon socket screw M 5x12	P...488 B
34	Seal Ø 35 mm	P...097 B
35	Washer Ø 35 mm	P...098
39	Nylon string	490.745
40	Spring ring M 6	P...498 U
41	Pan head screw M 6x8	P...475 P

RA 410 B

Vaccum motor

As at: 01/15/10 Time:17:14



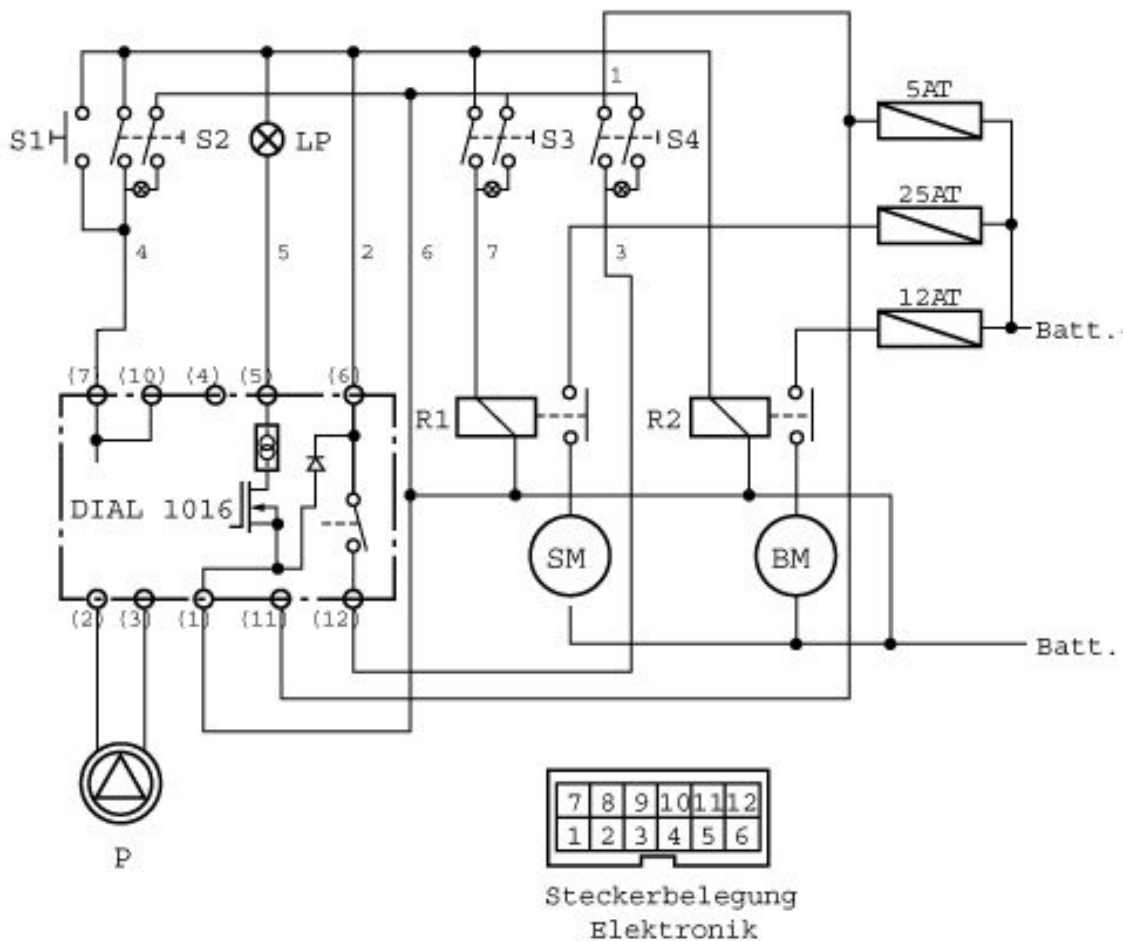
RA 410 B

Vaccum motor

As at: 01/15/10 Time:17:14

Pos.	Description	Reference
01	Suction motor	440.206
02	Pair of carbon brushes	500.441K
03	Connection piece	400.215
04	Noise absorbing hose	400.227
05	Hexagon socket screw M 6x12 mm	P...486Q
06	Washer M6	P...496L
07	Round buffer dm 20x30 mm	400.214
08	Tube for motor cooling	420.361
09	Hose connection cap	P...206A
10	Complete hose including Items 11+12	411.770
11	Hose 40/33x310 mm	411.772
12	Socket NW 32	P...575B
13	Suction hose NW 32x490 mm	500.408A
14	Socket dm 43x35,5 mm	400.224
15	Connection piece	420.220
16	Hexagon socket screw M 4x12 mm	P...486A
17	Washer M4	P...496C
18	Screw 2,9x6,5 mm	P...483H
19	Washer M3	P...497B

Stromlaufplan RA 410 B



- S1 = Tastschalter Pumpe / Interrupteur pour pompe / Main switch for pu
 S2 = Wippschalter Pumpe / Interrupteur pour pompe / Main switch for
 S3 = Schalter Saugmotor / Interrupteur pour moteur d'aspiration / Main
 S4 = Schalter Bürstmotor / Interrupteur pour moteur de brosse / Main e
 R1 = Relais Saugmotor / Relais pour moteur d'aspiration / Relais for v
 R2 = Relais Bürstmotor / Relais pour moteur de brosse / Relais for bru
 P = Pumpe / Pompe / Pump
 SM = Saugmotor / Moteur d'aspiration / Vacuum motor
 BM = Bürstmotor / Moteur de brosse / Brush motor

RA 410 B

Wiring plan

As at: 01/15/10 Time:17:14

Pos.	Description	Reference
BM	Brush motor	416.202
P	Pump	P...817
R1	Relais for vacuum motor	
R2	Relais for brush motor	
S1	Main switch for pump	P...242
S2	Main switch for pump	
S3	Main switch for vacuum motor	
S4	Main switch for brush motor	
SM	Vacuum motor	400.206