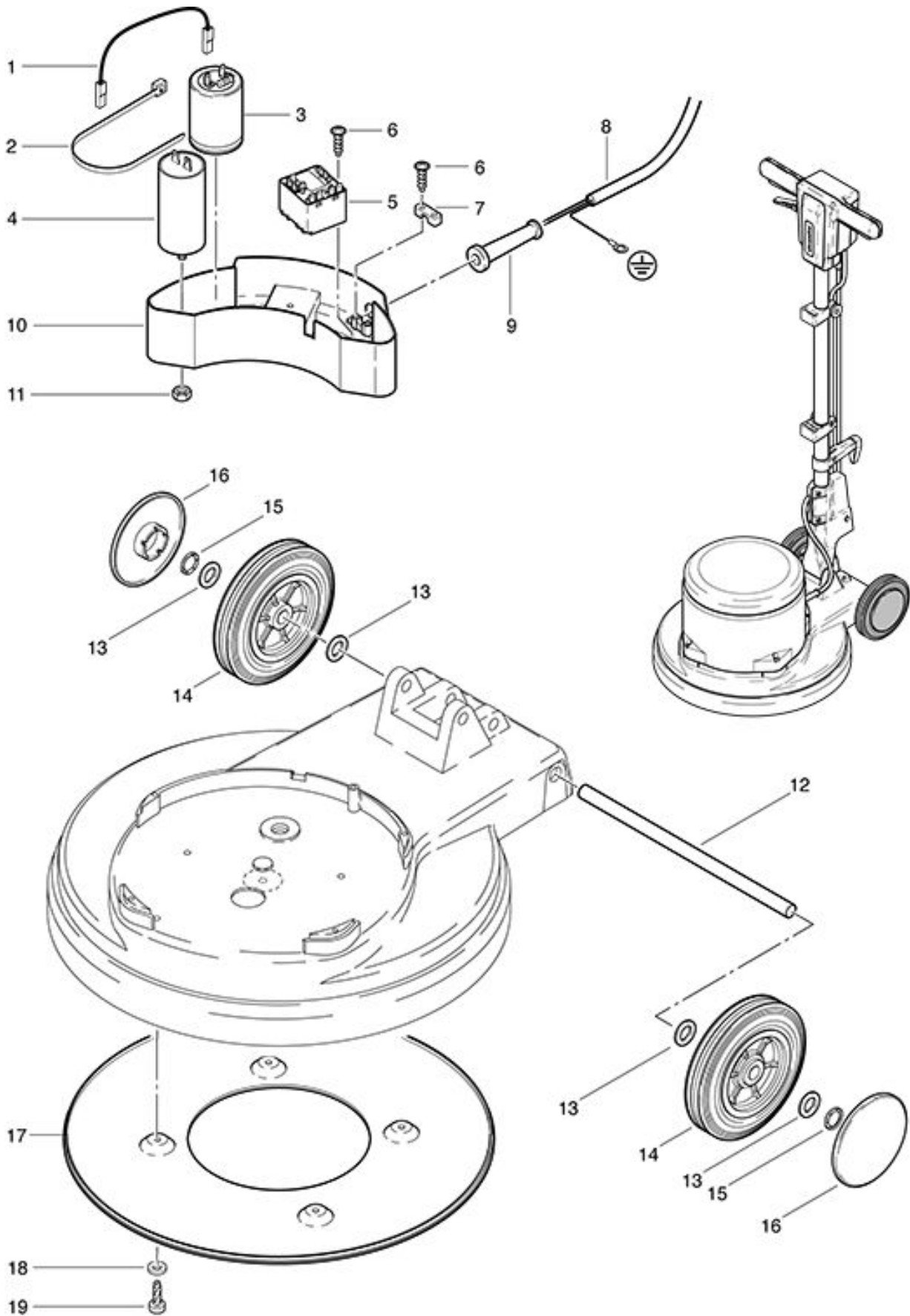


R 44-180
Electronic and drive axle

As at: 01/18/10 Time:18:59



R 44-180

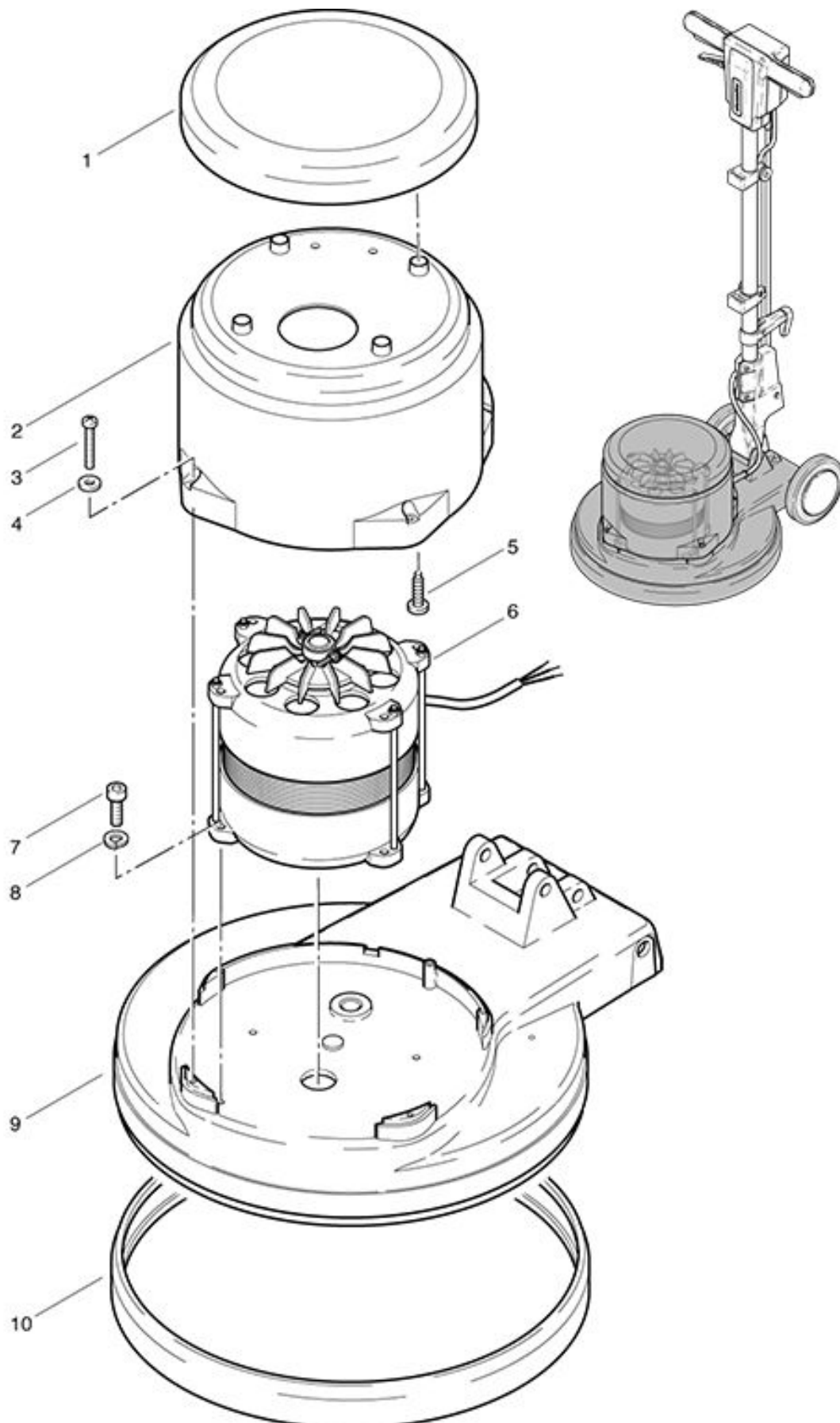
Electronic and drive axle

As at: 01/18/10 Time:18:59

Pos.	Description	Reference
01	Wiring black	742.331
02	Cable tie 292 mm	P...424
03	Capacitor 25 uF	P...385 J
04	Capacitor 125 uF 47 kOhm	742.328
05	Relais white	P...350
06	Screw 5x20	P...515 K
07	Cable clamp	4611085
08	Cable-tree	742.313
09	Antikink sleeve	660011014
10	Housing	741.315
11	Hexagon nut M 8	P...490 E
12	Wheel axle	742.040
13	Washer M 14	P...496 Y
14	Wheel 160 mm	741.075
15	Retaining ring	P...500 M
16	Wheel cover red	741.076
17	Bottom plate	742.146
18	Washer M 6/6.4/12/1.6	P...496 K
19	Screw M 5x12	P...483 P

R 44-180
Motor

As at: 01/18/10 Time:19:00



R 44-180

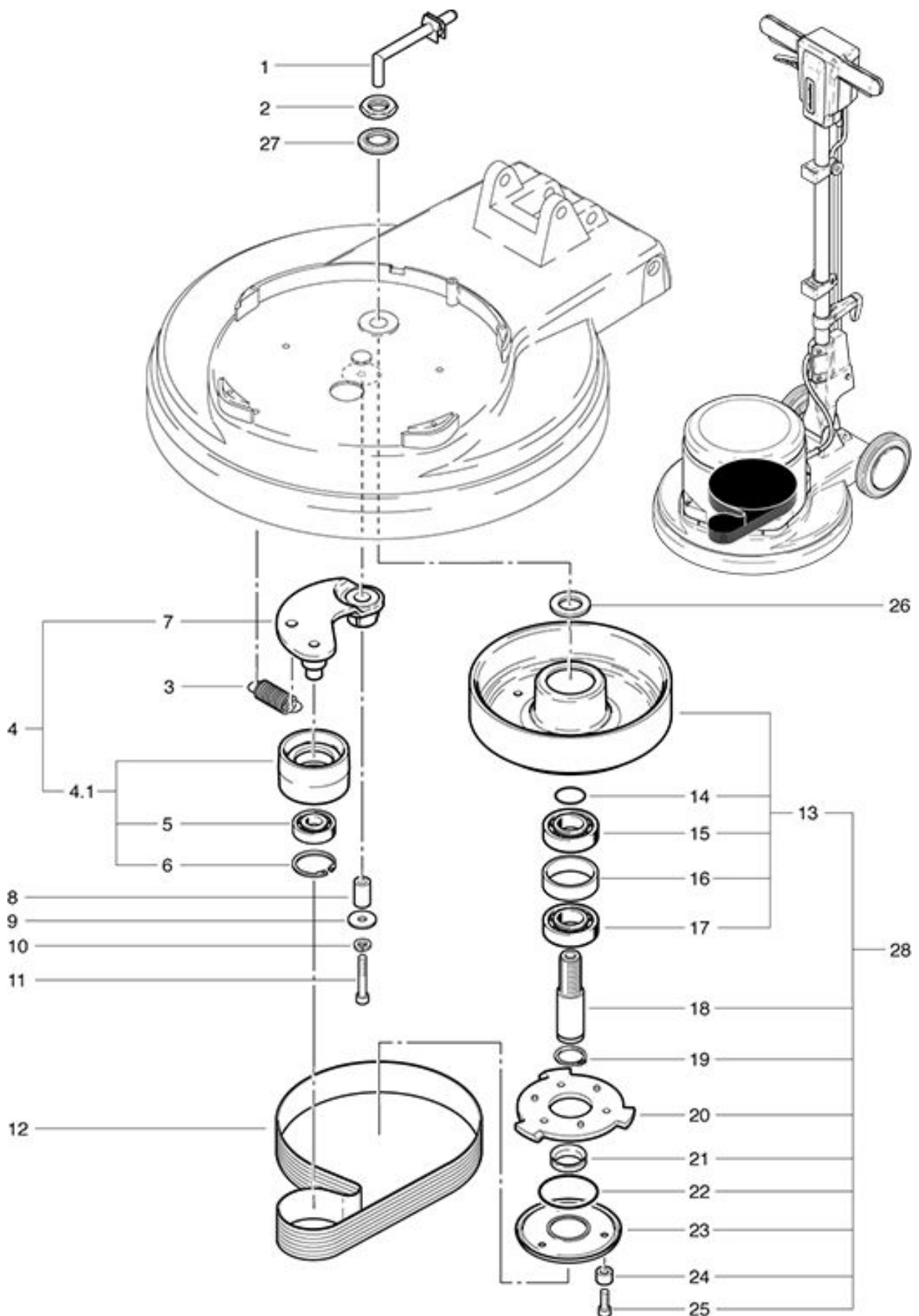
Motor

As at: 01/18/10 Time:19:00

Pos.	Description	Reference
01	Red cap	741.067
02	Motor housing	741.066
03	Pan-Head screw 5x30	P...476 I
04	Washer M 5	P...497 V
05	PT srew KA 50x25	P...515 L
06	Motor complete	742.121
07	Hexagon socket screw M 6x25	P...486 T
08	Lock washer M 6	P...498 U
09	Lower housing	741.055
10	Butter for housing	741.054

R 44-180
Pieces de commande

As at: 01/18/10 Time:19:00



R 44-180

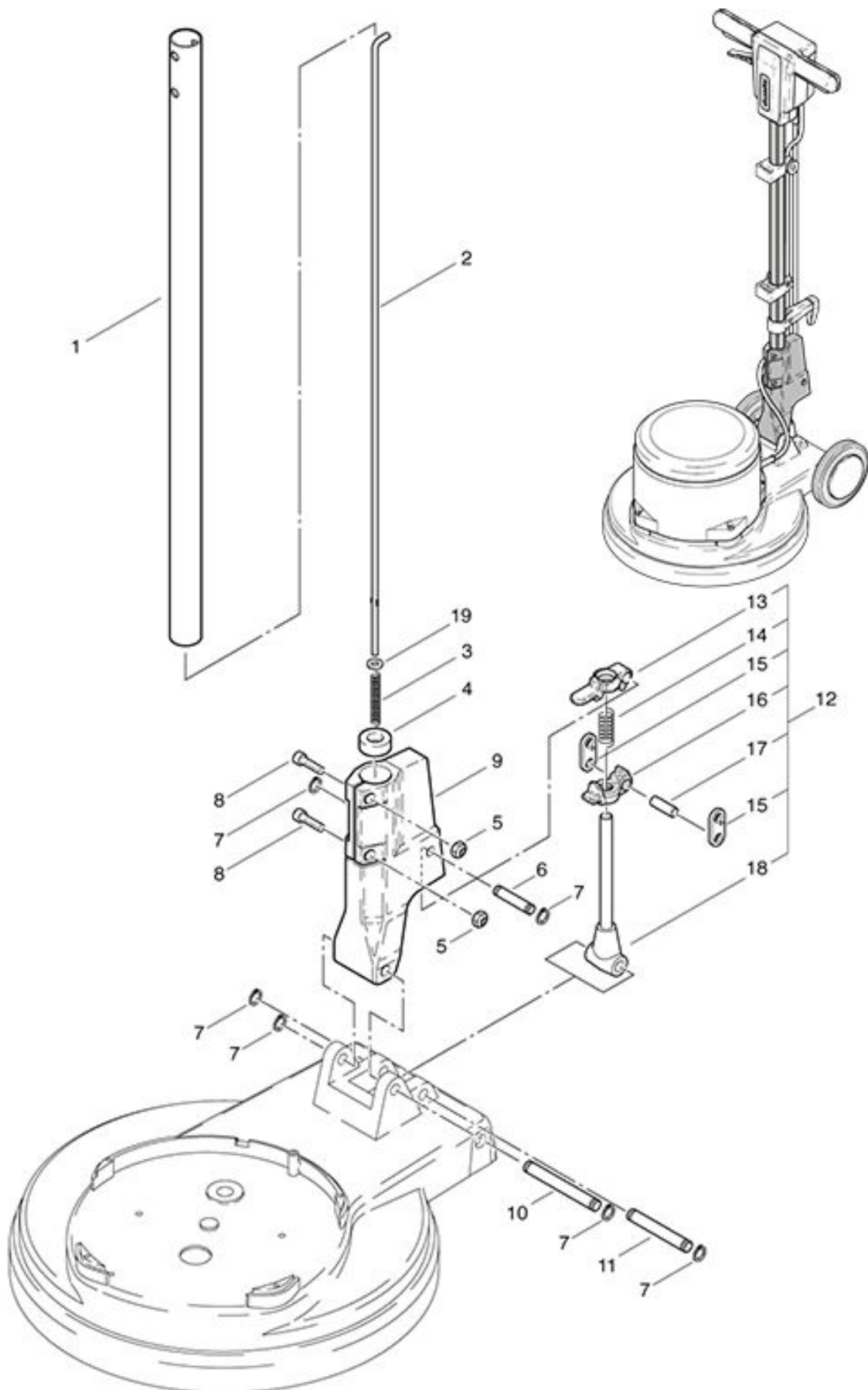
Pieces de commande

As at: 01/18/10 Time:19:00

Pos.	Description	Reference
01	Solution tube	742.064
02	Nut	604611507
03	Belt tensioner	635611363
04	Belt tension pulley compl. including pos. 4.1, 5-7	742.100
04.1	Belt tension pulley including items 5+6	742.116
05	Ball bearing	P...316 O
06	Retaining washer	P...513 G
07	Tensioner axle	742.133
08	Sleeve	742.135
09	Washer M 8	P...496 Q
10	Lock washer M 8	P...498 N
11	Hexagon screw M 8x45	P...487 T
12	Poly-V belt	6390520
13	Drive pulley complete including items 14-17	742.130
14	O-ring 25x2.62	P...964 A
15	Ball bearing	P...316 P
16	Washer	3611851
17	Ball bearing	P...316 Q
18	Main shaft	741.125
19	Retaining washer	P...513 D
20	Star wheel	742.141
21	V-formed ring	P...343 A
22	O-ring 52x2.62	P...964 B
23	Brush support	742.128
24	Distance ring 6x8/4 mm	742.129
25	Hexagon screw m 6x20	P...487 S
26	Washer	430.151
27	Locking screw	P...498 Q
28	Belt wheel pre-mounts cpl. including items 13-25	741.126

R 44-180
Shaft adjuster

As at: 01/18/10 Time:19:01



R 44-180

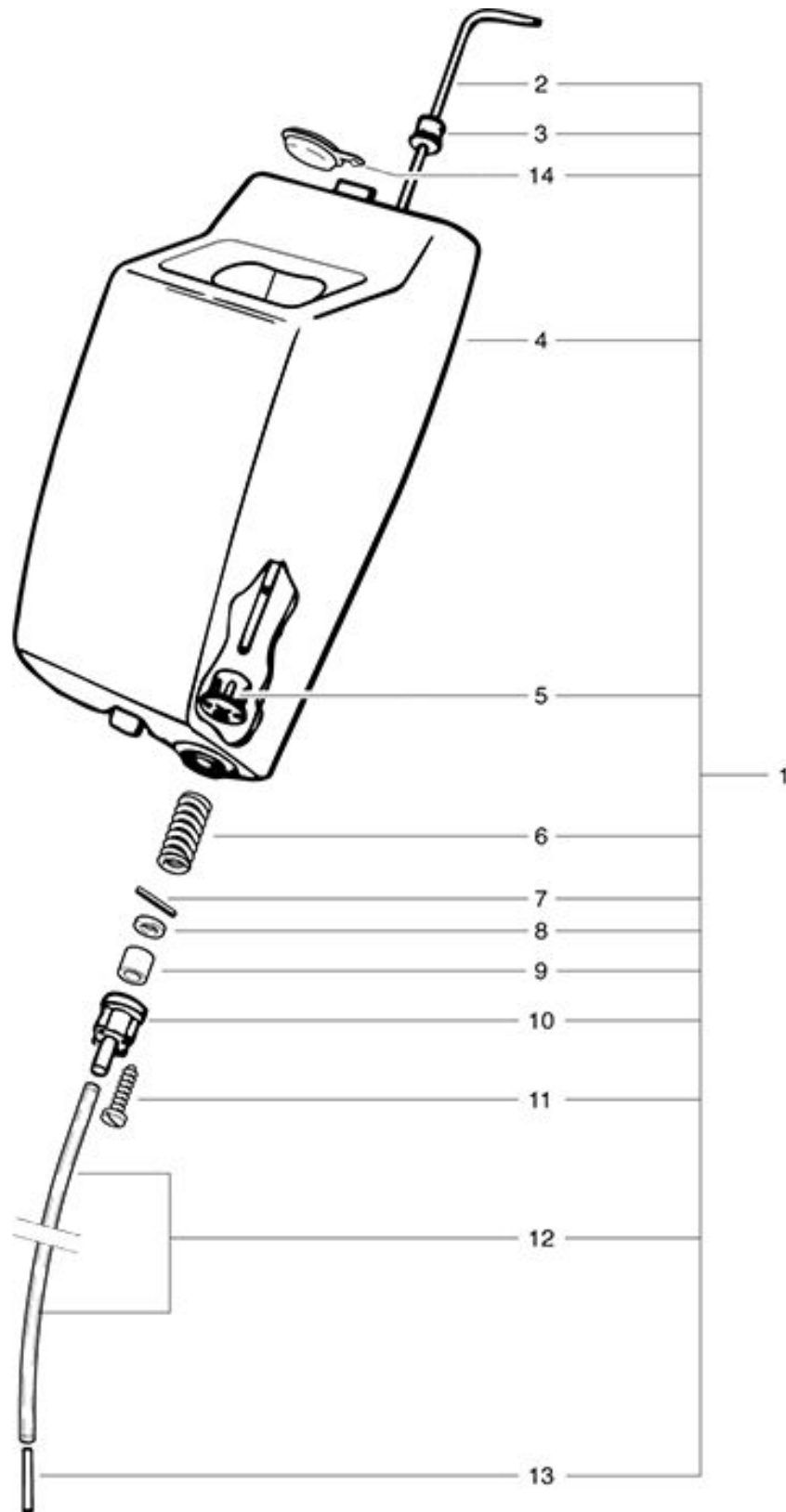
Shaft adjuster

As at: 01/18/10 Time:19:01

Pos.	Description	Reference
01	Shaft tube	742.410 L
02	Rod	742.212 L
03	Compressing spring	634711031
04	Guide sleeve	623711022
05	Nut M 6	P...490 D
06	Axle 10x50	672711018
07	Retaining washer	P...499 Q
08	Screw M 6x25	P...486 T
09	Shaft adjustment unit	741.260
10	Axle	672711016
11	Axle	672711017
12	Shaft adjuster, complete including items 13-18	2711133
13	Adjuster long	3711236
14	Compression spring	634711020
15	Holder	4711014
16	Adjuster short	3711237
17	Axle 10x29	672711019
18	Adjuster shaft	741.270
19	Washer M 6	P...496 K

R 44-180
Solution tank

As at: 01/18/10 Time:19:01



R 44-180

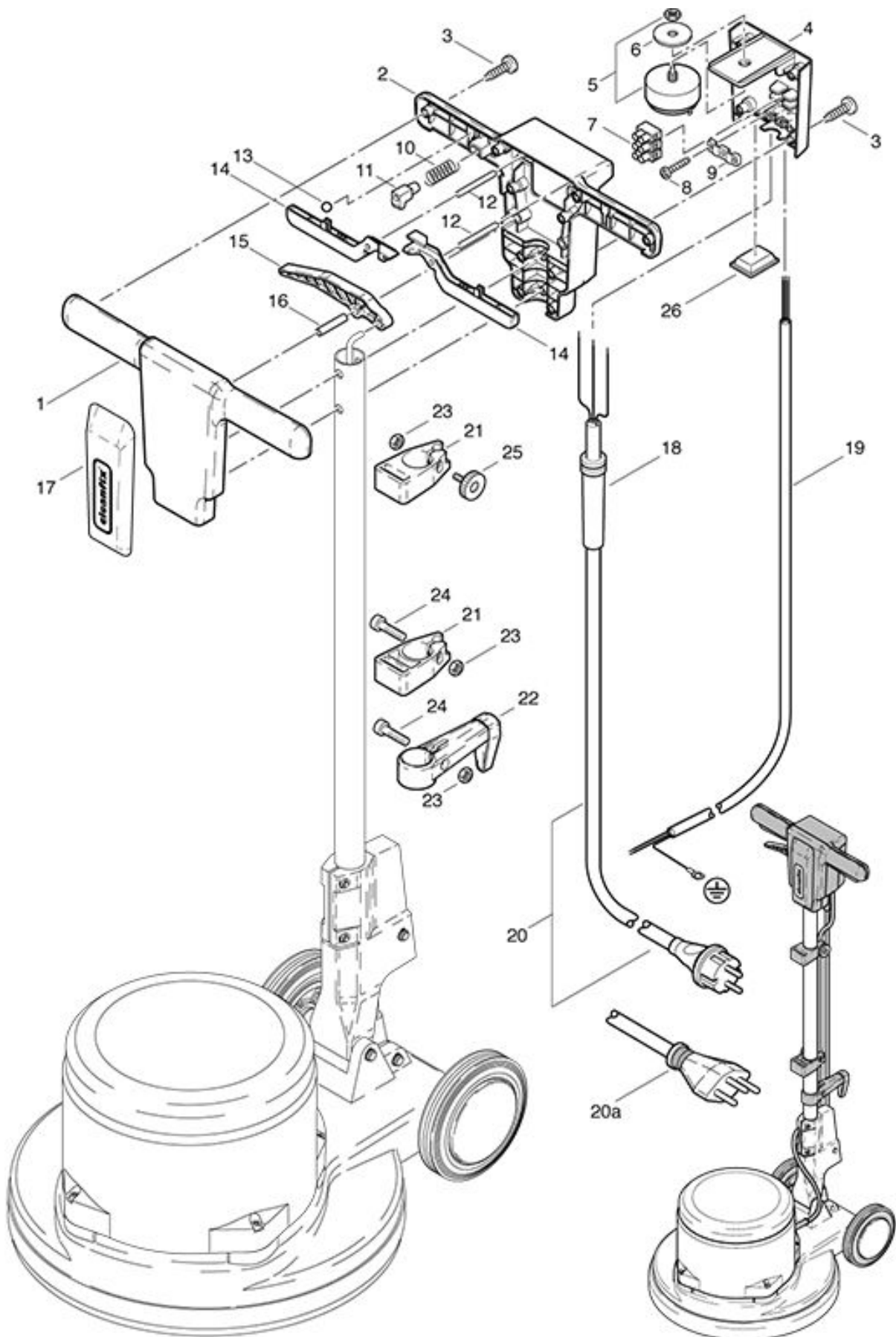
Solution tank

As at: 01/18/10 Time:19:01

Pos.	Description	Reference
01	Solution tank, complete including items 2-14	719000
02	Operating handle	719110
03	Ignition distributor cap	6605211
04	Solution tank	719100
05	Valve body, top	4112144
06	Compression spring	634112285
07	Straight pier 3x24	P...512 N
08	Washer M 4	P...496 D
09	Buffer sleeve	6475158
10	Valve body, bottom	4112143
11	Sheet metal screw 3,5x38	P...483 N
12	Plastic hose	3112286
13	Tube	675112152
14	Cover	300731

R 44-180
Top part front side

As at: 01/18/10 Time:19:01

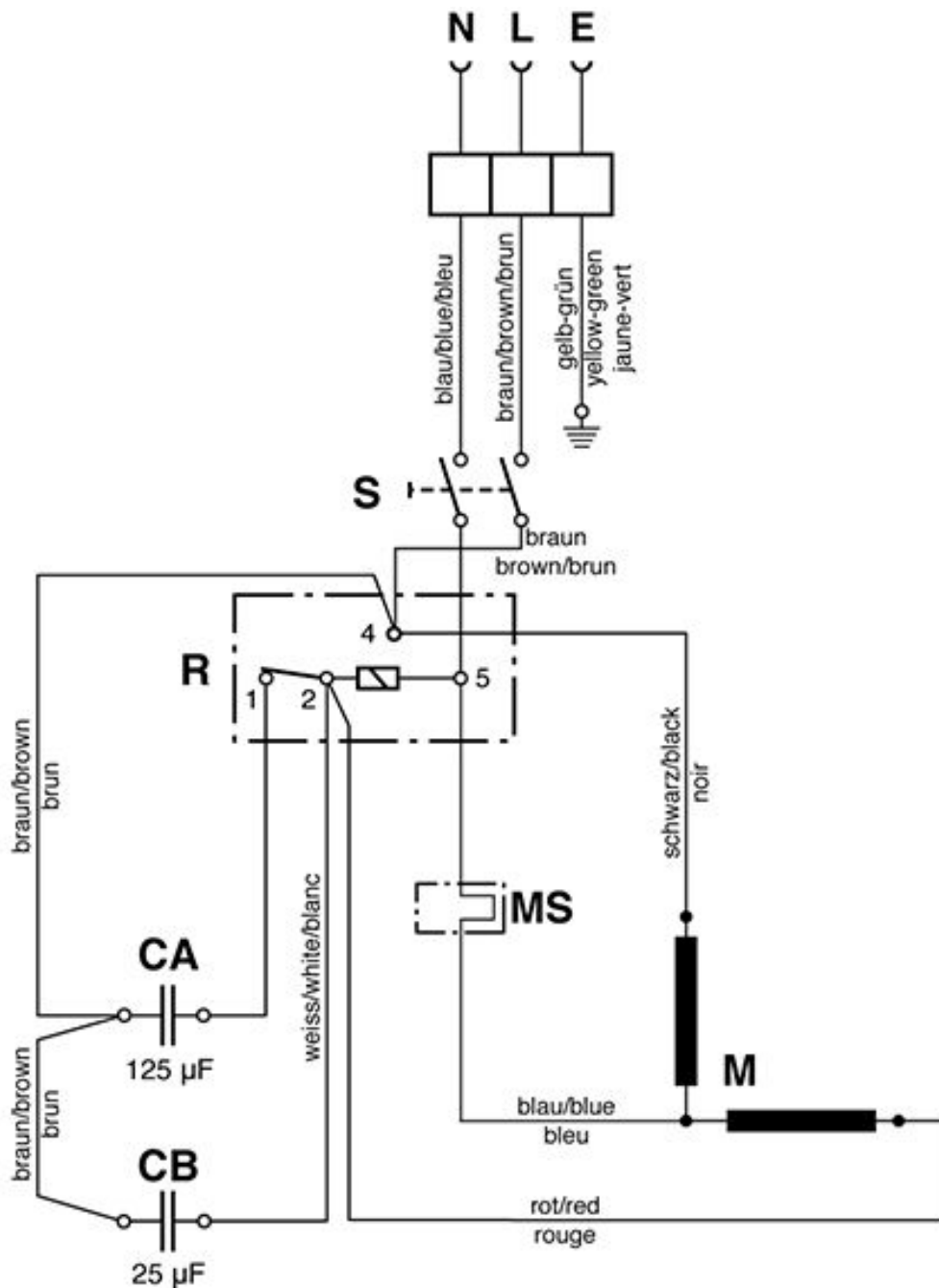


R 44-180

Top part front side

As at: 01/18/10 Time:19:01

Pos.	Description	Reference
01	Top part front side	741.201
02	Top part back side	741.202
03	PT-screw KA 50x25	P...515 L
04	Connection box	741.310
05	Switch compl.	6650454
06	Washer Ø 12x37x3	P...496
07	Hose clamp	P...383 N
08	PT screw KA 40x25	P...516 O
09	Cable clamp	742.321
10	Belt	742.209
11	Security switch	742.208
12	Straight pin Ø 6x50	P...512 M
13	Ball Ø 8 mm	6440641
14	Switch handle	741.204
15	Shaft adjustment lever	741.207
16	Straight pin Ø 8x40	P...512 P
17	Screen red	741.208
18	Antikink sleeve	660.011.014
19	Cable-tree	742.313
20	Mains cable 12,5 m VDE	656711039
20a	Mains cable 12,5 m SEV	65671103901
21	Solution tank holder	4711231
22	Cable hook	3711029
23	Hexagon nut M 6	P...490 D
24	Hexagon socket screw M 6x25	P...486 T
25	Millet screw M 6x25	6321596
26	Cover	741.216



- S = Schalter Bürstmotor / Tumbler switch for motor / Interrupteur pour moteur
- R = Startrelais / Relais / Relais de démarrage
- CA = Anlaufkondensator 125 µF / Capacitor 125 µF / Capaciteur 125 µF
- CB = Betriebskondensator 25 µF / Capacitor 25 µF / Capaciteur 25 µF
- M = Motor / Motor / Moteur
- MS = Motorschutzschalter

R 44-180

Wiring diagram

As at: 01/18/10 Time:19:01

Pos.	Description	Reference
CA	Capacitor 125 uF	752.328
CB	Capacitor 25 uF	P...385 J
M	Motor für RA 44-180	742.121
R	Relais	P...350
S	Tumbler switch for motor	6650454