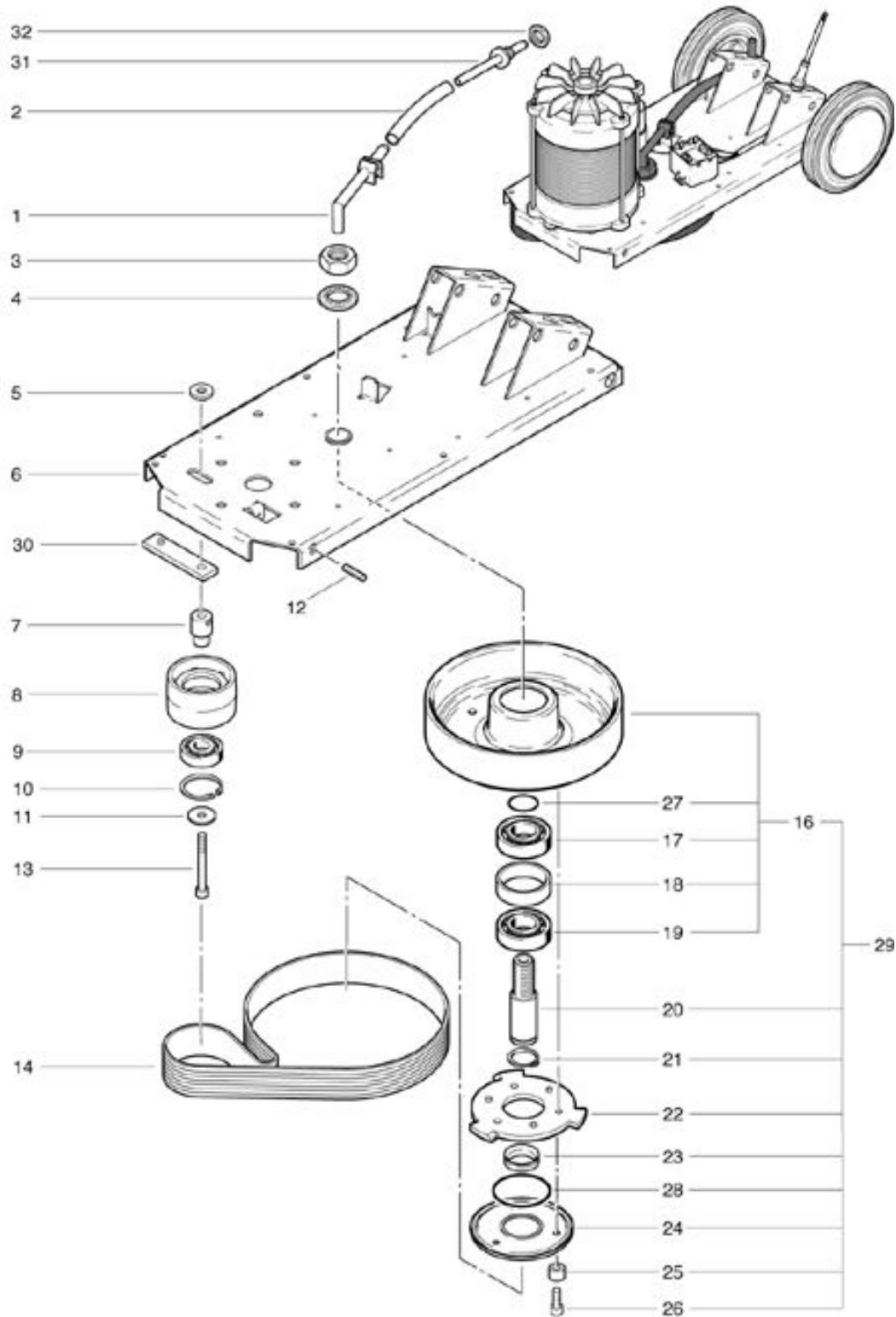


PowerDisc 165 Driving pieces

As at: 01/18/10 Time:19:08



PowerDisc 165

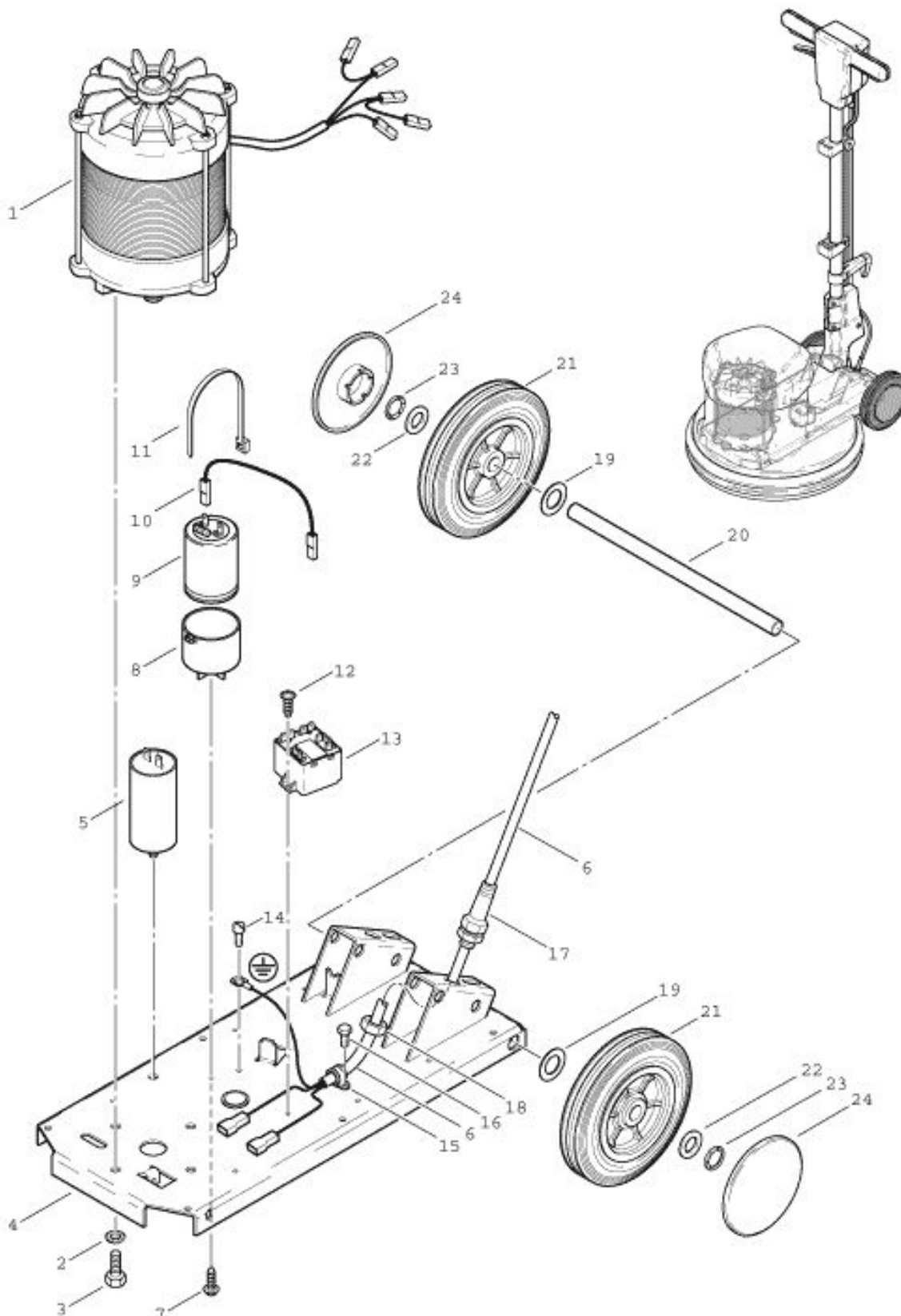
Driving pieces

As at: 01/18/10 Time:19:08

Pos.	Description	Reference
01	Solution tube	748.064
02	Hose	720.123
03	Hexagon nut M 20 x 1,5	P...492 R
04	Locking screw	P...498 Q
05	Groove nut	720.125
06	Chassis	720.120
07	Federation tap	720.127
08	Belt tension pulley	742.117
09	Ball bearing	P...316 O
10	Retaining washer	P...513 G
11	Washer M8x25	P...496 Q
12	Threaded pin M6x25	P...513 K
13	Hexagon screw M 8x45	P...487 T
14	Poly-V belt	720.115
16	Drive pulley complete including Items 17-19+27	742.130
17	Ball bearing	P...316 P
18	Washer	3611851
19	Ball bearing	P...316 Q
20	Main shaft	742.125
21	Retaining washer	P...513 D
22	Star wheel	742.141
23	V-formed ring	P...343 A
24	Brush support	742.128
25	Distance ring 6x8/4 mm	742.129
26	Hexagon screw M 6x20	P...487 S
27	O-ring 25x2.62	P...964 A
28	O-Ring 52x2.62	P...964 B
29	Belt wheel pre-mounts	720.126
30	Spans-Rail	720.128
31	Connection pipe compl.	720.062
32	Hexagon nut M 12x0,75	6650461

PowerDisc 165
Electronic and drive axle

As at: 01/18/10 Time:19:08



Elektronik und Fahrwerk

PowerDisc

Electronique et train de transport / Electronic and drive axle

PowerDisc 165

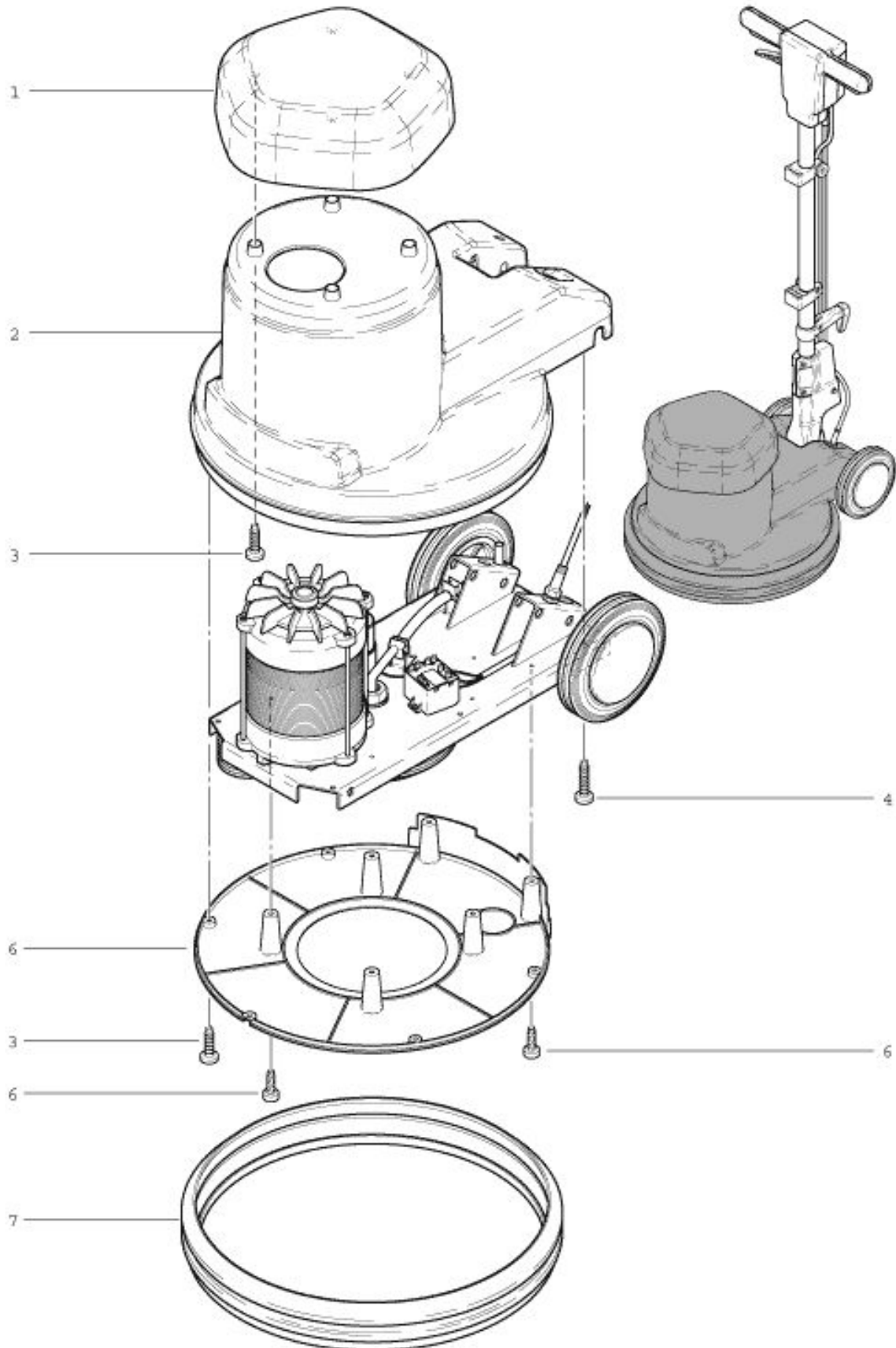
Electronic and drive axle

As at: 01/18/10 Time:19:08

Pos.	Description	Reference
01	Motor	720.121
02	washer M 8	P...496 Q
03	Hexagon screw M 8x16	P...471 C
04	Basic sheet metal	720.120
05	Capacitor 25 μ F	P...385 J
06	Cable-tree	720.312
07	Screw KA40x16	P...516 C
08	Holder for capacitor	741.316
09	Capacitor 125 μ F 47 kOhm	742.328
10	Wiring black	742.331
11	Cable tie 292 mm	P...424
12	Srew M 4x8	P...481 Q
13	Relais with	P...350
14	Screw M 4x8	P...481 Q
15	Cable support	P...281
16	Screw M 5x12	P...483 P
17	Cable grommet	P...279 K
18	Conter nut PG 9	P...279 H
19	Washer 16x28x0.5 mm	P...510
20	Wheel axe \varnothing 320 mm	720.040
21	Wheel 160 mm	741.075
22	Washer M 14	P...496 Y
23	Retaining ring	P...500 M
24	Wheel cover red	741.076

PowerDisc 165
Motor housing

As at: 01/18/10 Time:19:08



PowerDisc 165

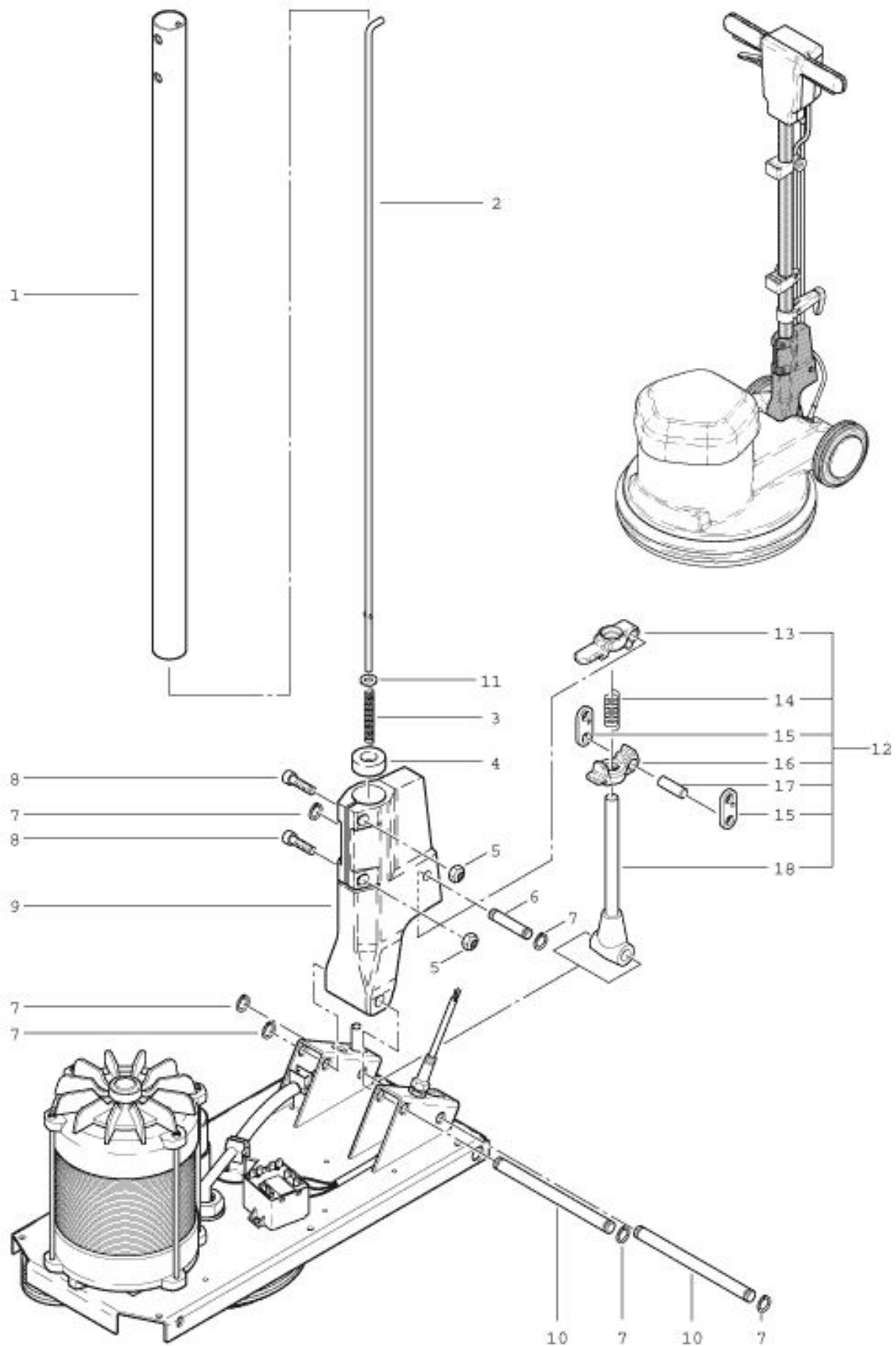
Motor housing

As at: 01/18/10 Time:19:08

Pos.	Description	Reference
01	Cap	720.067
02	Motor housing	720.065
03	PT screw KA 50x16	P...515 H
04	PT screw KA 50x18	P...516 Q
05	Screw M 5x12	P...483 P
06	Bottom plate	720.146
07	Buffer for housing	720.054

PowerDisc 165 Shaft adjuster

As at: 01/18/10 Time:19:09

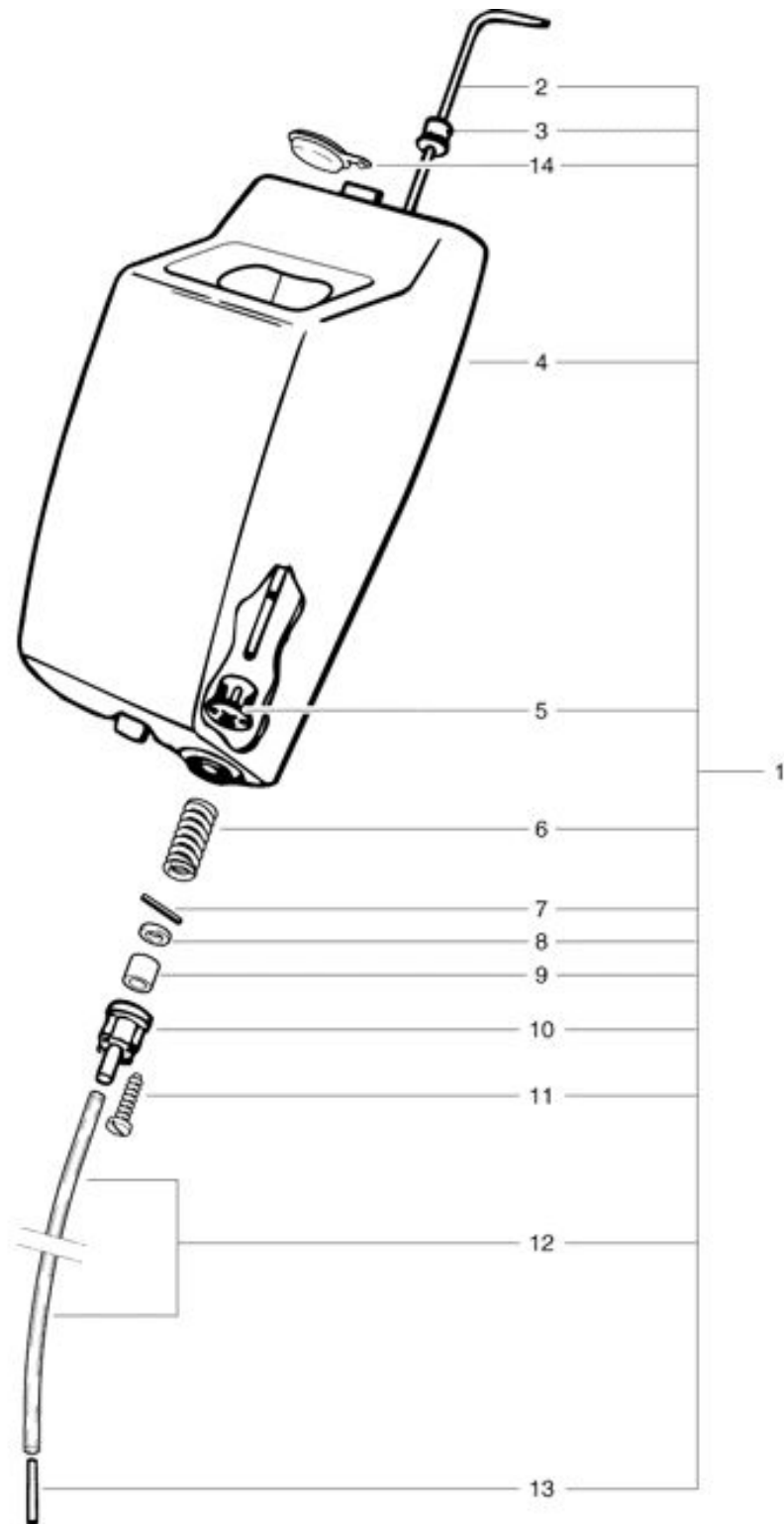


PowerDisc 165

Shaft adjuster

As at: 01/18/10 Time:19:09

Pos.	Description	Reference
01	Shaft tube	742.410 L
02	Rod	742.212L
03	Compressing spring	634711031
04	Guide sleeve	623711022
05	Nut M 6	P...493 K
06	Axle 10x50	672711018
07	Retaining washer	P...499 Q
08	Screw M 6x22	P...486 X
09	Shaft adjustment unit	720.260
10	Axle	720.129
11	Washer M 6	P...496 K
12	Shaft adjuster, complete including Items 13-18	2711133
13	Adjuster long	3711236
14	Compressing spring	634711020
15	Holder	4711014
16	Adjuster short	3711237
17	Axle 10x29	672711019
18	Adjuster shaft	741.270



PowerDisc 165

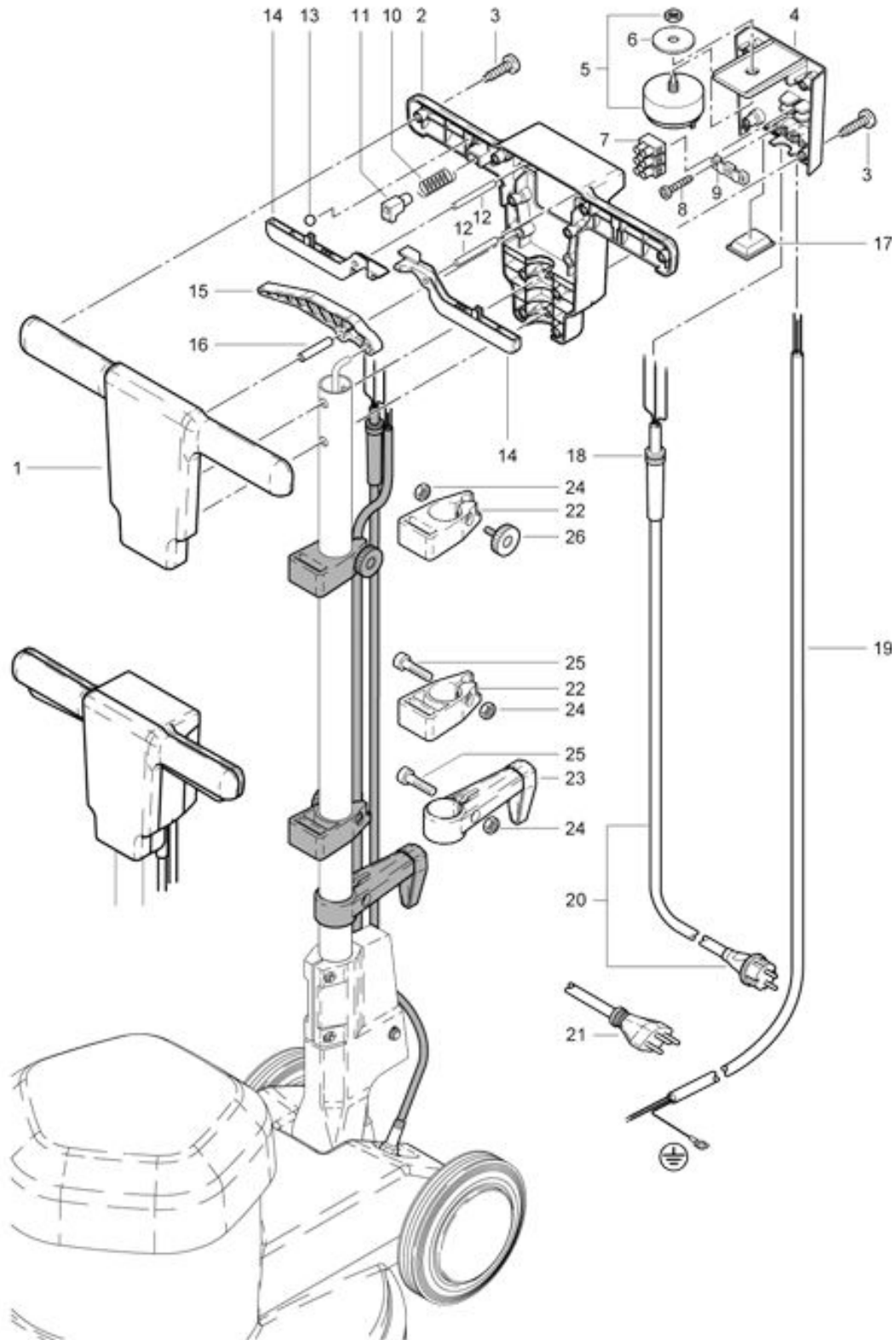
Solution tank

As at: 01/18/10 Time:19:09

Pos.	Description	Reference
01	Solution tank, complete including Items 2-14	719.000
02	Operating handle	719110
03	Ignition distributor cap	6605211
04	Solution tank	719100
05	Valve body, top	4112144
06	Compression spring	634112285
07	Straight pier 3x24	P...512 N
08	Washer M 4	P...496 D
09	Buffer sleeve	6475158
10	Valve body, bottom	4112143
11	Sheet metal screw 3,5x38	P...483 N
12	Plastic hose	3112286
13	Tube	675112152
14	Cover	300731

PowerDisc 165
Top part front side

As at: 01/18/10 Time:19:09



PowerDisc 165

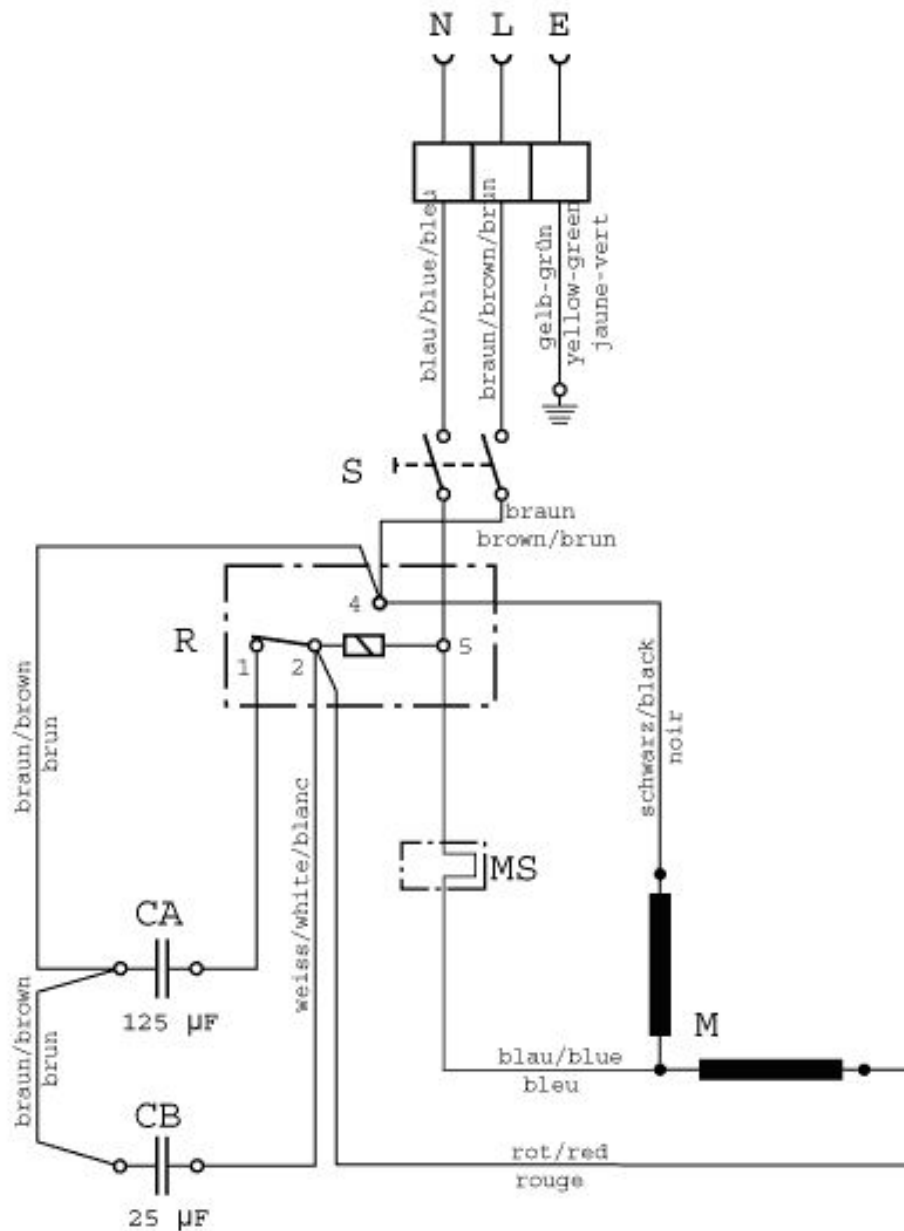
Top part front side

As at: 01/18/10 Time:19:09

Pos.	Description	Reference
01	Top part front side	741.201
02	Top part back side	741.202
03	PT-screw KA 50x25	P...515 L
04	Connection box	741.310
05	Switch	6650454
06	Washer Ø 12x37x3	P...496
07	Hose clamp	P...383 N
08	PT screw KA 50x18	P...516 Q
09	Cable clamp	742.321
10	Belt	742.209
11	Security switch	742.208
12	Straight pin Ø 6x50	P...512 M
13	Ball Ø 8 mm	6440641
14	Switch handle	741.204
15	Shaft adjustment lever	741.207
16	Straight pin Ø 8x40	P...512 P
17	Cover black	741.216
18	Antikink sleeve	660.011.014
19	Cable-tree	720.312
20	Mains cable 12,5 m VDE	656711039
21	Mains cable 12,5 m SEV	65671103901
22	Solution tank holder	4711231
23	Cable hook	3711029
24	Hexagon nut M 6	P...490 D
25	Hexagon socket screw M 6x25	P...486 T
26	Millet screw M 6x25	6321596

PowerDisc 165 Wiring diagram

As at: 01/18/10 Time:19:09



- S = Schalter Buerstmotor / Tumbler switch for motor / Interrupteur
- R = Startrelais / Relais / Relais de démarrage
- CA = Anlaufkondensator 125 μF / Capacitor 125 μF / Capaciteur
- CB = Betriebskondensator 25 μF / Capacitor 25 μF / Capaciteur
- M = Motor / Motor / Moteur
- MS = Motorschutzschalter

PowerDisc 165

Wiring diagram

As at: 01/18/10 Time:19:09

Pos.	Description	Reference
CA	Capacitor 125 μ F	742.328
CB	Capacitor 25 μ F	P...385 J
M	Motor for	720.121
MS		
R	Relais with	P...350
S	Tumbler switch for motor	6650454