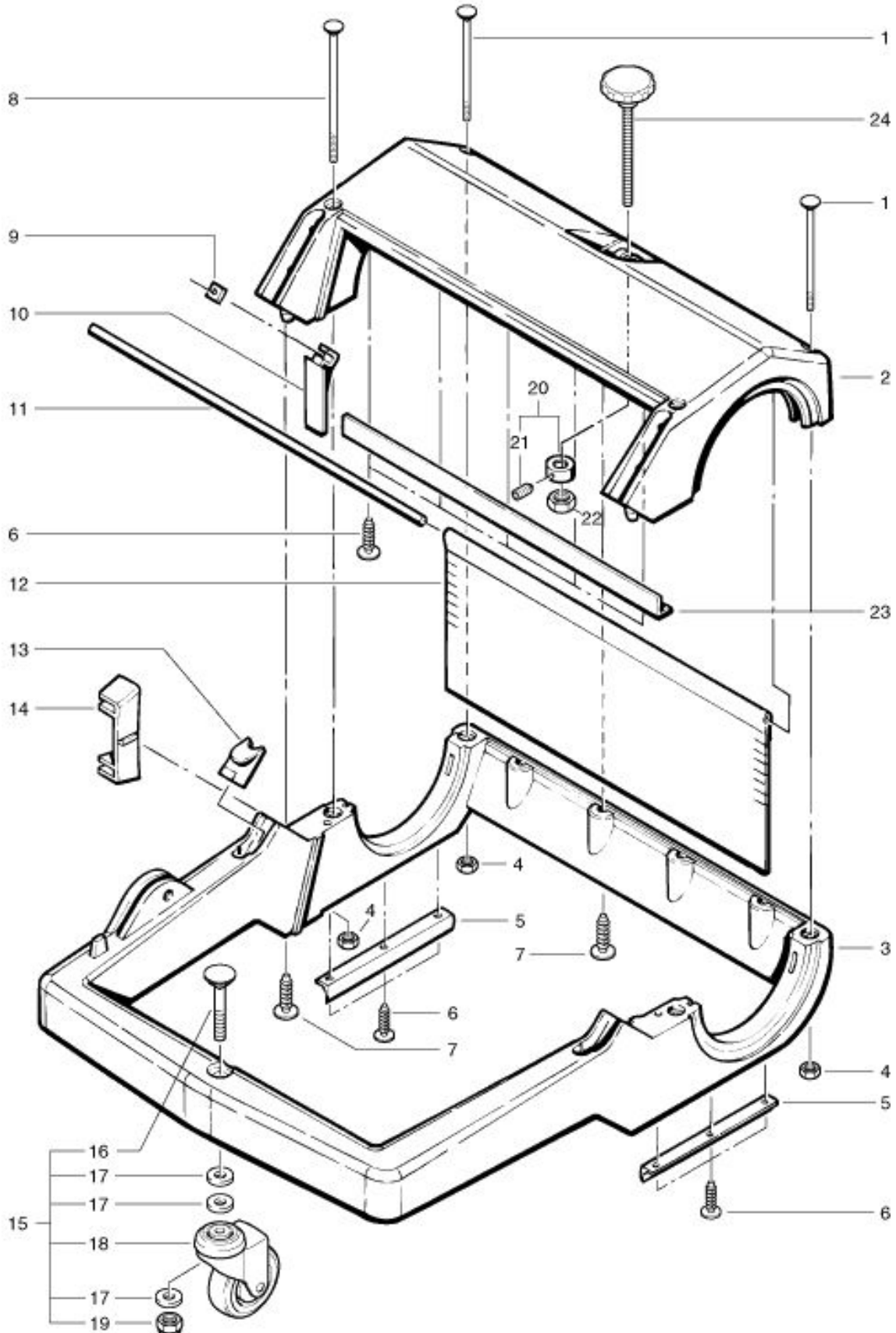


HS 770 Chassis

As at: 01/18/10 Time:19:47



HS 770

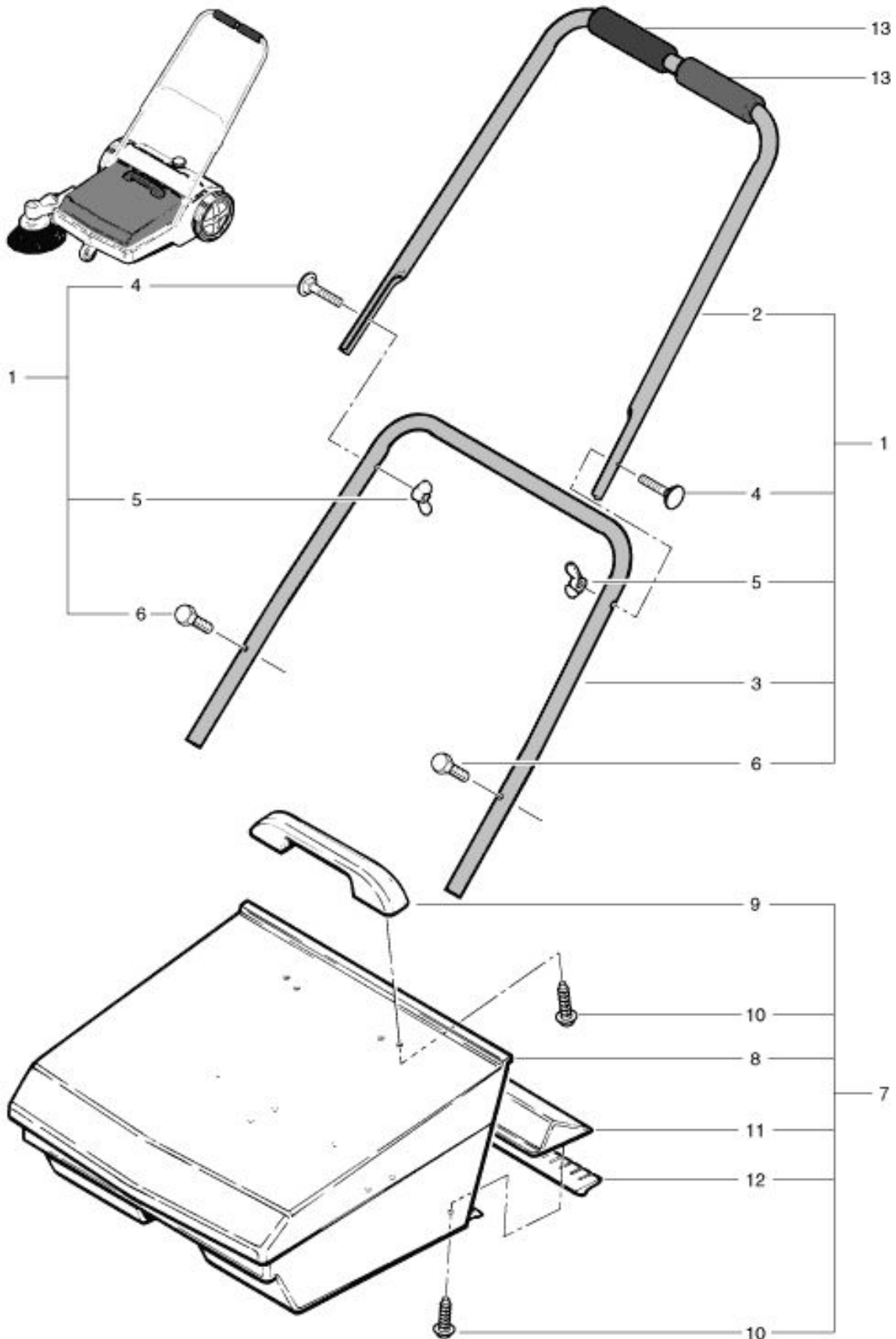
Chassis

As at: 01/18/10 Time:19:47

Pos.	Description	Reference
01	Screw M 6x110 mm	P...481H
02	Rear housing	077.112
03	Main frame	077.111
04	Hexagon screw M 6	P...490D
05	Short seal	077.137
06	PT-screw 50x16 mm	P...516H
07	PT-screw 60x20 mm	P...516M
08	Screw M 6x140 mm	P...481I
09	Nut M 6	P...495H
10	Nut support	077.114
11	Rear floor seal	077.135
12	Stopp-nut M 10	077.130
13	Support for pushbar	077.140
14	Belt guide	077.142
15	Castor complete including Items 16-19	077.144
16	Screw M 10x75 mm	P...481J
17	Washer dm 10,5 mm	P...496T
18	Castor	077.145
19	Stopp-nut M 10	P...492Q
20	Selscrew collar complete	077.125
21	Threaded insert M 5x8 mm	P...484T
22	Hexagon screw M 10	P...491N
23	Hopper seal	077.119
24	Adjustment knob	077.120

HS 770 Hopper

As at: 01/18/10 Time:19:47



HS 770

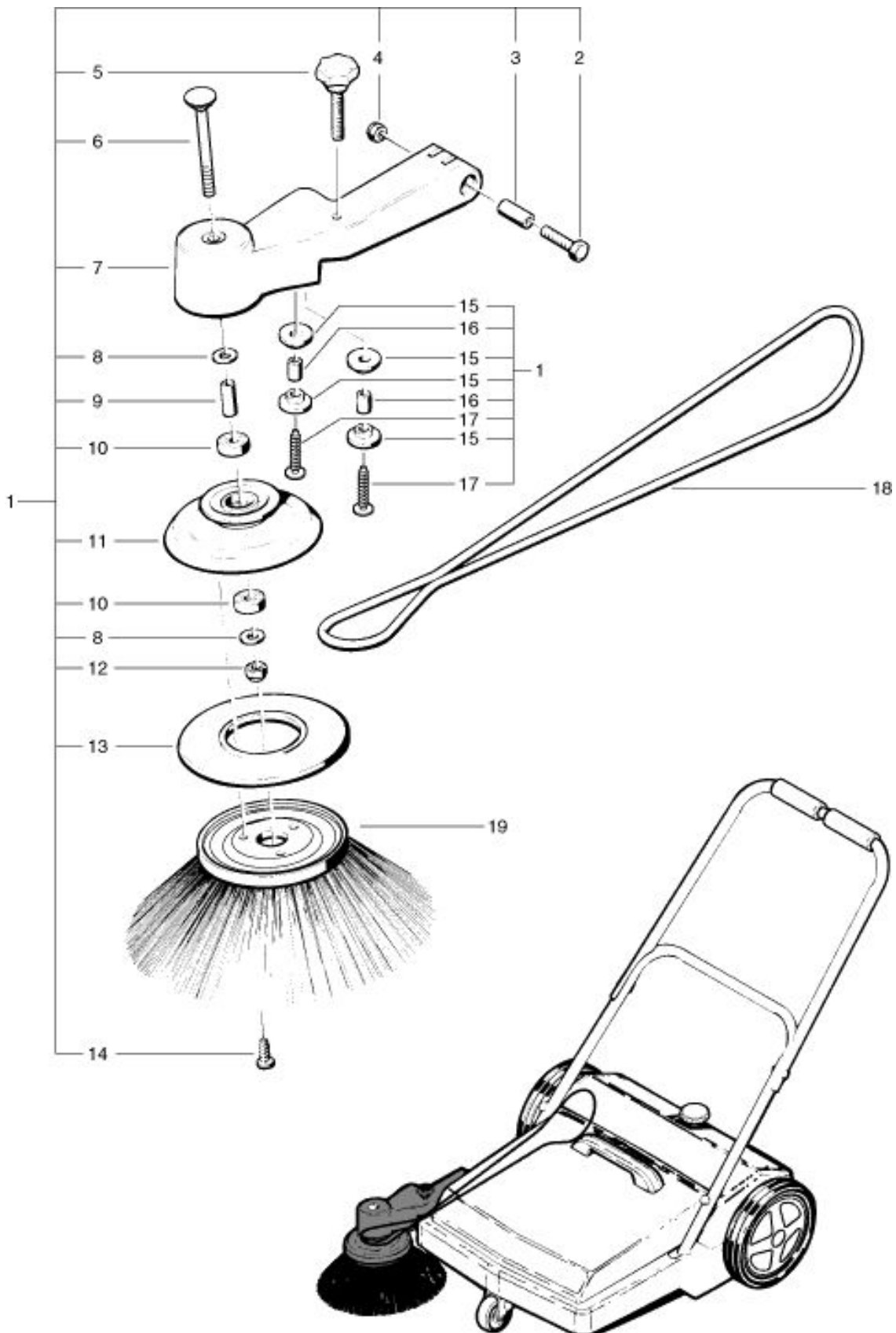
Hopper

As at: 01/18/10 Time:19:47

Pos.	Description	Reference
01	Complete handle including Items 2-6	077.800
02	Upper handle	077.810
03	Lower handle	077.815
04	Screw M 6x40 mm	P...483K
05	Wing nut M 6	P...494H
06	Hexagon screw M 6x35 mm	P...470W
07	Hopper complete including Items 8-12	077.500
08	Hopper	077.550
09	Hopper handle	077.560
10	PT-screw 50x16 mm	P...516H
11	Floor blade retainer	077.565
12	Floor blade	077.570
13		077.820

HS 770
Sidebroom

As at: 01/18/10 Time:19:47



HS 770

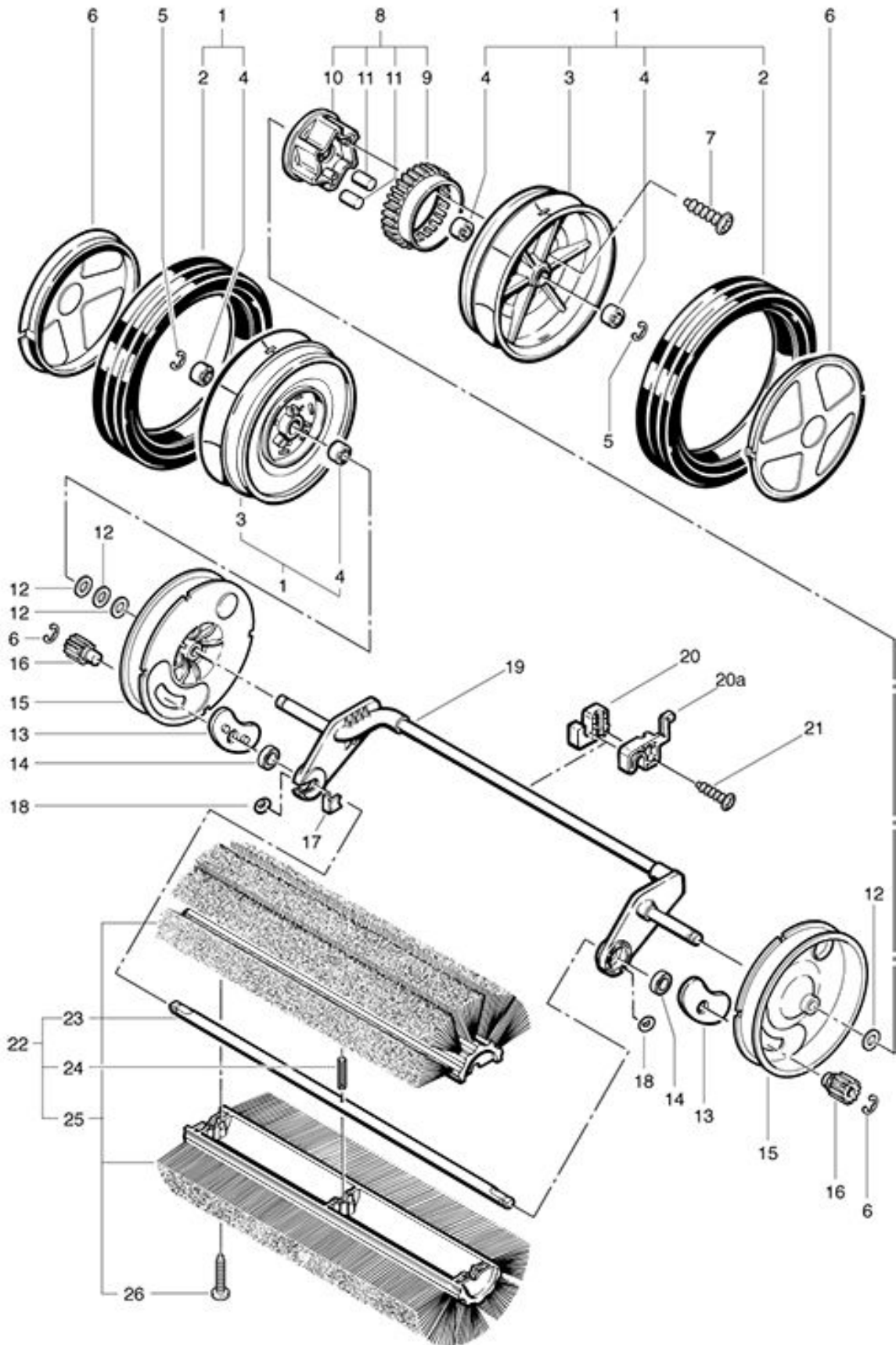
Sidebroom

As at: 01/18/10 Time:19:47

Pos.	Description	Reference
01	Sidebroomarm complete including Items 2-17	077.700
02	Hexagon srew M 8x40 mm	P...471N
03	Spacer	077.708
04	Stopp-nut M 8	P...492H
05	Knob for adjustment	077.710
06	Screw M 10x110 mm	P...481K
07	Sidebroom arm	077.705
08	Washer dm 10,5 mm	P...496T
09	Spacer	077.730
10	Bearing	P...316I
11	Sidebroom cover	077.735
12	Stopp-nut M 10	P...492Q
13	Sidebroom bumper	077.736
14	PT-screw 50x16 mm	P...516H
15	Belt guide	077.722
16	Spacer	077.725
17	PT-screw 60x35 mm	P...516I
18	Belt	077.750
19	Sidebroom	077.740

HS 770 Wheel

As at: 01/18/10 Time:19:47



HS 770

Wheel

As at: 01/18/10 Time:19:47

Pos.	Description	Reference
01	Wheel complete including Items 2-4	077.260
02	Tire	077.262
03	Wheel	077.265
04	Bearing wheel	077.267
05	Retaining ring Ø 8 mm	P...498 M
06	Hup cap	077.255
07	PT-screw 60x25 mm	P...516 L
08	Drive complete including Items 9-11	077.266
09	Gear rim (48)	077.246
09	Gear rim (48)	077.246
10	Pirot hub	077.231
11	Driving roll	077.234
12	Washer	P...497 S
13	Covering piece	077.258
14	Ball bearing	P...316 I
15	Wheel	077.252
16	Annular gear (12)	077.253
17	Cover	077.259
18	O-ring	P...088 C
19	Axle	077.268
20	Adjustement bloc	077.261
20a	Adjustment block with pointer	077.263
21	PT-screw 50x25 mm	P...516 K
22	Main broom complete including Items 24-27	077.269
23	Brush axle	077.276
24	Pin 6x30 mm	P...512 K
25	Main broom (2 pieces) Ø 200 mm	077.270
26	PT-screw 50x30 mm	P...516 N