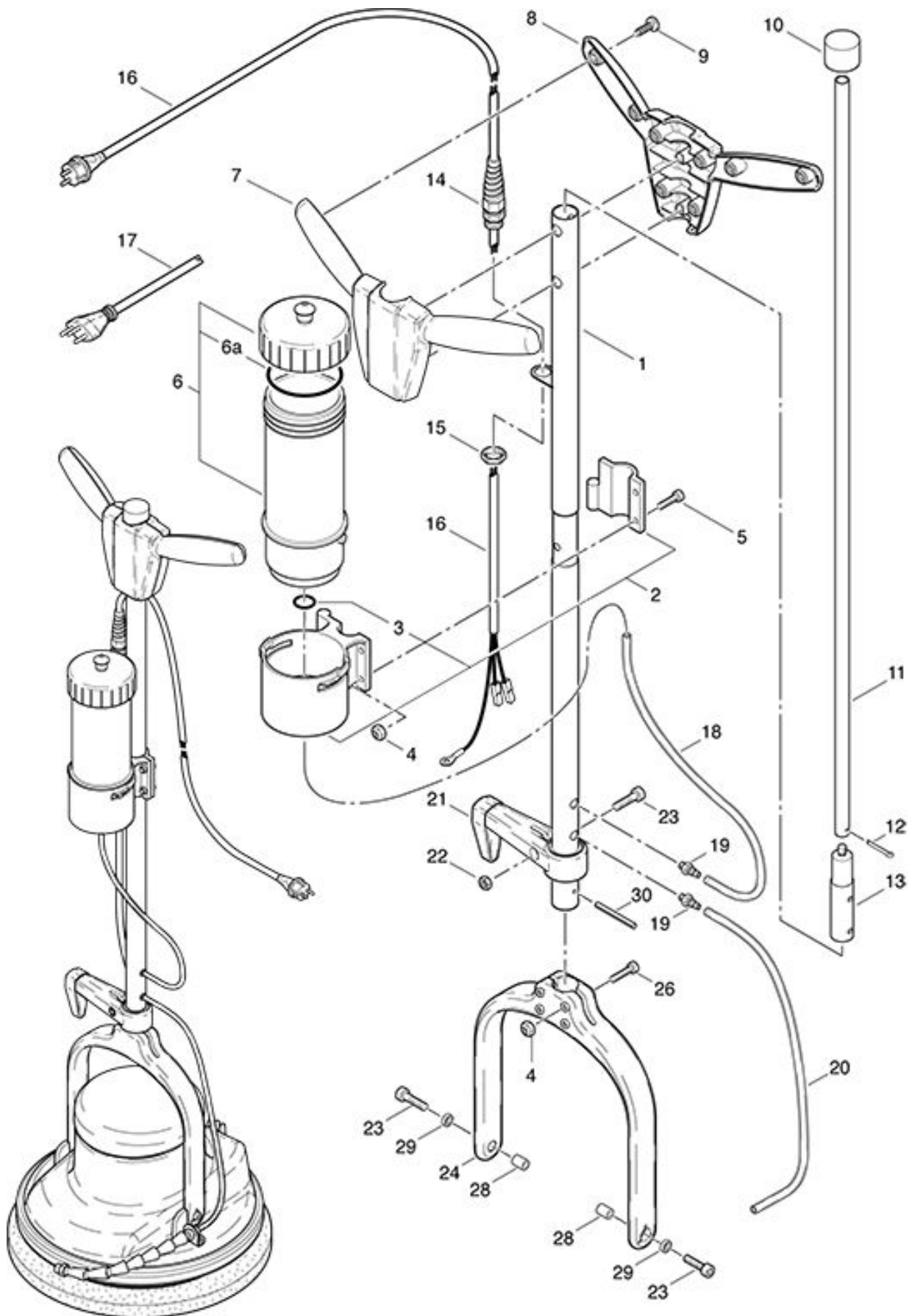


FloorMac 300
Handle compl.

As at: 01/18/10 Time:18:57



FloorMac 300

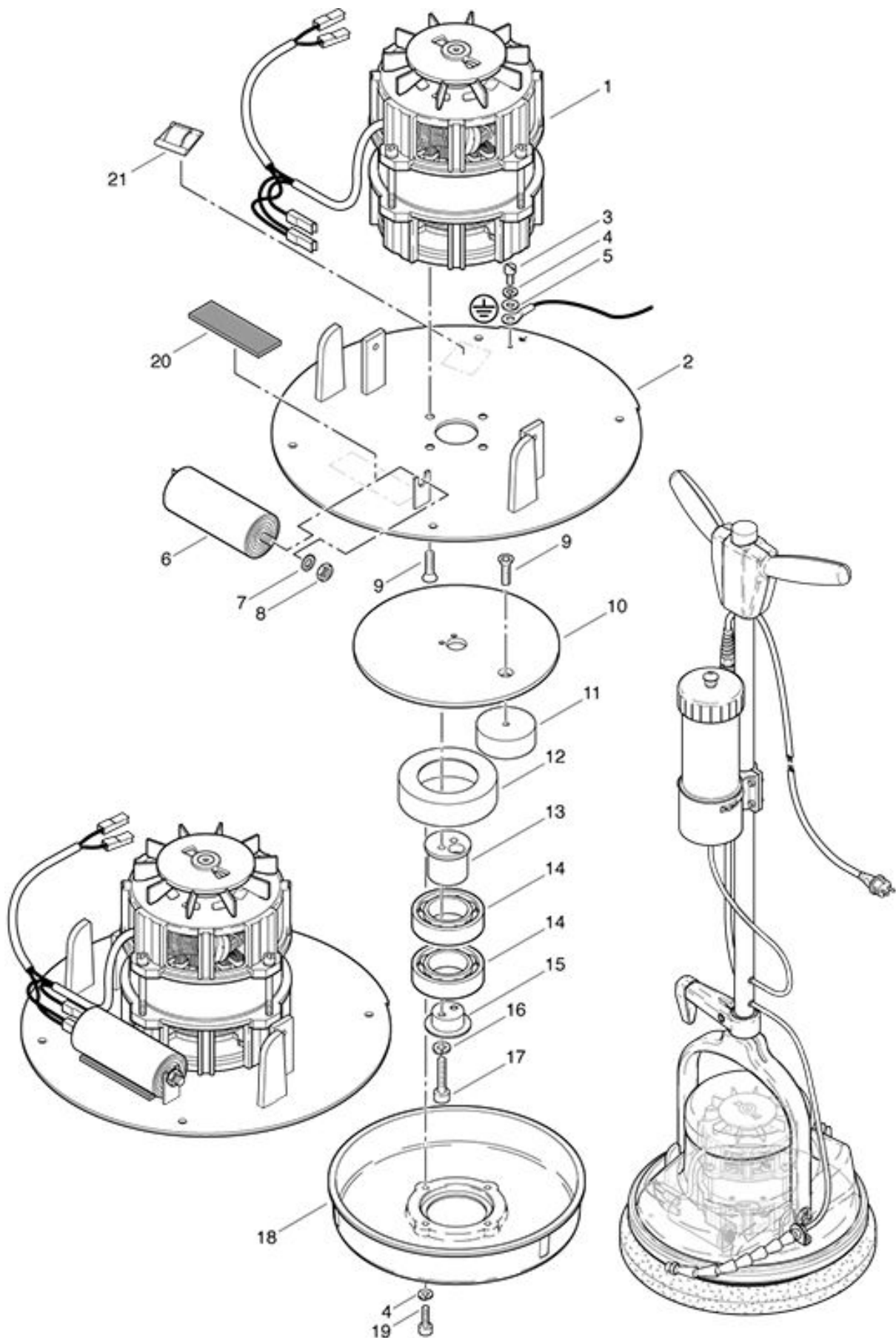
Handle compl.

As at: 01/18/10 Time:18:57

Pos.	Description	Reference
01	Shaft tube	718.203
02	Bottle support	718.910
03	O-Ring 3.53x15.47 mm	718.909
04	Hexagon nut M 5	P...492 G
05	Hexagon screw M 5x16	P...486 I
06	Solution bottle	718.912
06a	Joint circulaire à des couvertures	718.907
07	Top part front side	718.201
08	Top part back side	718.202
09	PT screw	KA 50x14 mm P...480 S
10	Operation button	718.911
11	Bar to metering unit	718.915
12	Split pin 2.5x16 mm	P...489 N
13	Pressure valve	718.925
14	Cable grommet	P...279 K
15	Conter nut PG 9	P...279 H
16	Mains cable VDE 7,5 m	P...282
17	Mains cable SEV 7,5 m	P...275
18	Pressure hose	4x6x320 mm 718.160
19	Screw- in socket M 5 H-6	718.914
20	Pressure hose	4x6x640 mm 718.161
21	Cable hook	3711029
22	Hexagon nut M 6	P...490 D
23	Cylindrical screw M 6x30	P...486 W
24	Turning bar	718.204
26	Hexagon socket screw	M 5x25 P...488 K
28	Distance piece	718.207
29	Permaglide sleeve 10/12/9	500.123
30	Heavy spring pin 4x40	P...484 B

FloorMac 300
Machine base

As at: 01/18/10 Time:18:57



FloorMac 300

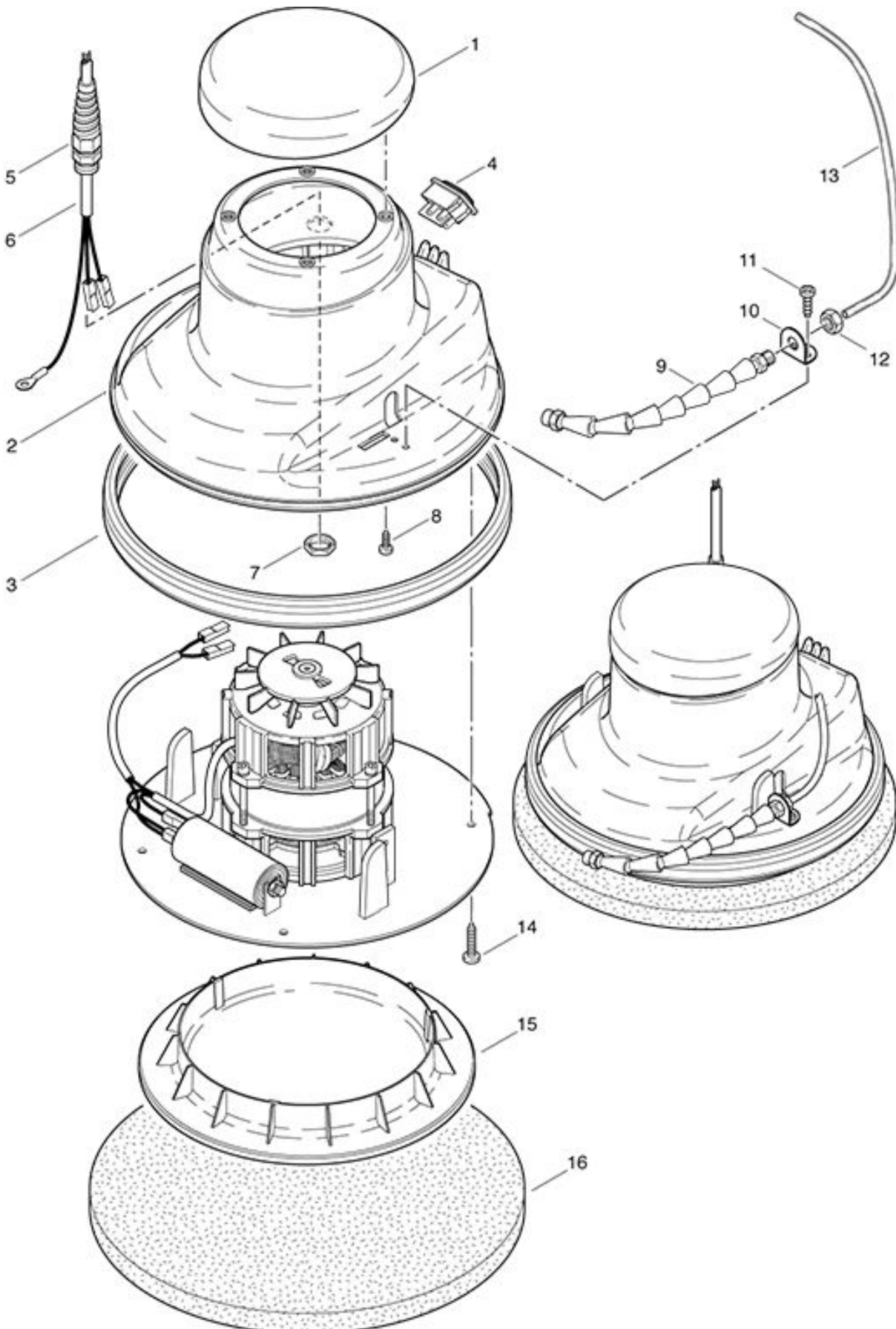
Machine base

As at: 01/18/10 Time:18:57

Pos.	Description		Reference
01	Motor complete	230 V/ 50 Hz	718.121
02	Base plate compl.		718.130
03	Chees-head screw 4 x10		P...478 C
04	Spring washer M 4		P...498 C
05	Washer M 4		P...497 D
06	Capacitor 12 µF		718.124
07	Lock washer M 8		6610419
08	Hexagon screw M 8		P...491 F
09	Countersunk screw M 6x20		P...480 H
10	Driving plate to counter weight		718.141
11	Counter weight		718.142
12	Bearing flange		718.146
13	Excentric		715.148
14	Ball bearing		6426437
15	Excentric cover		718.147
16	Spring washer M 5		P...500 D
17	Hexagon screw M 5x25		P...488 K
18	Driving plate		718.120
19	Hexagon screw M 4x12		P...486 A
20	Slide security		400.139
21	Cable support		P...360

FloorMac 300
Motor housing

As at: 01/18/10 Time:18:57



FloorMac 300

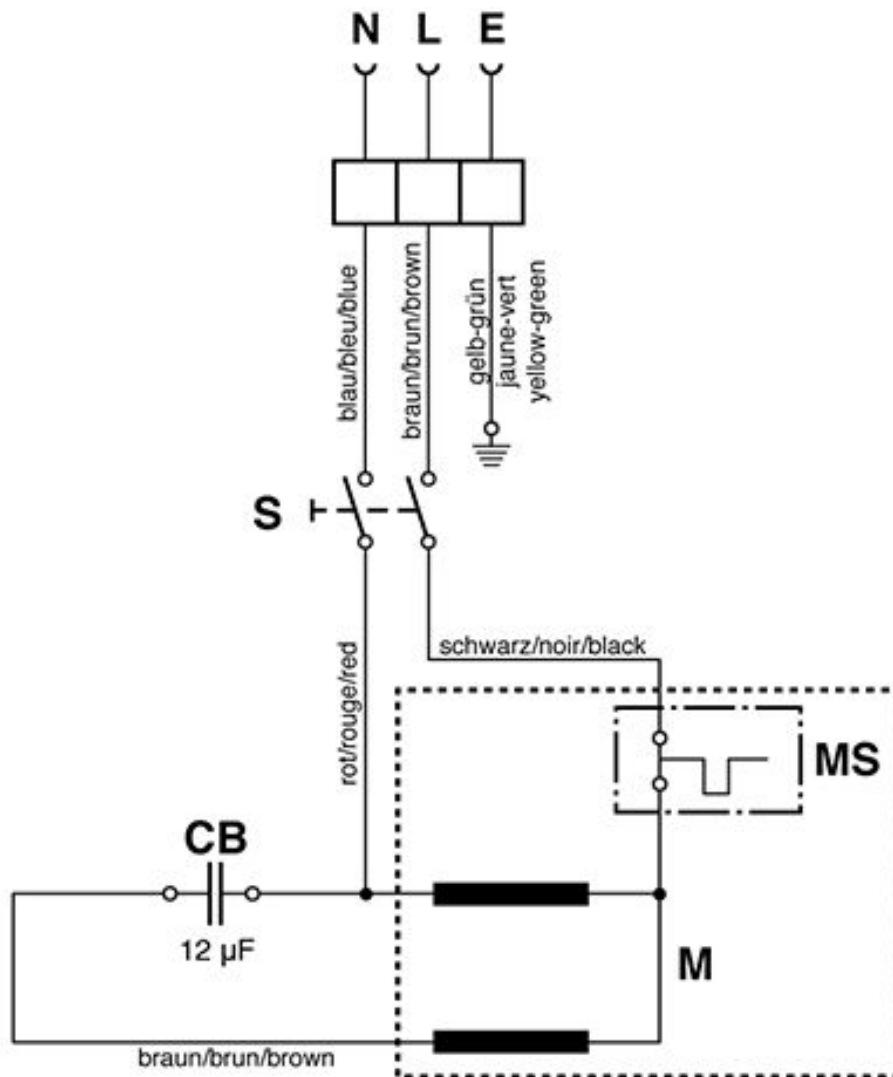
Motor housing

As at: 01/18/10 Time:18:57

Pos.	Description	Reference
01	Cap	718.067
02	Motor housing	718.065
03	Buffer for housing	718.054
04	Switch	718.068
05	Cable grommet	P...279 K
06	Mains cable VDE 7,5 m	P...282
06.	Mains cable SEV 7,5 m	P...275
07	Conter nut PG 9	P...279 H
08	PT screw WN 1412	KA 40x12 mm
09	Hinge compl.	718.075
10	Holding plate	718.069
11	PT screw WN 1411	KA 50x14 mm
12	Hexagon nut M 10	P...491 O
13	Hose 4x6x640 mm	718.161
14	PT screw WN 1412	KA 50x18 mm
15	Driving disc for pads	718.070
16	White pad, Ø 33 cm	718.901
16.	Microfaser pad, Ø 33 cm	718.906

FloorMac 300 Wiring diagram

As at: 01/18/10 Time:18:57



- S = Motorschalter / Interrupteur pour moteur / Tumbler switch for motor
- CB = Betriebskondensator 12 µF / Capaciteur 12 µF / Capacitor 12 µF
- M = Motor / Moteur / Motor
- MS = Motorschutzschalter

FloorMac 300

Wiring diagram

As at: 01/18/10 Time:18:57

Pos.	Description	Reference
CB	Capacitor 12 μ F	P...385 B
M	Motor 230 V/50 Hz	718.121
MS		
S	Tumbler switch for motor	718.068