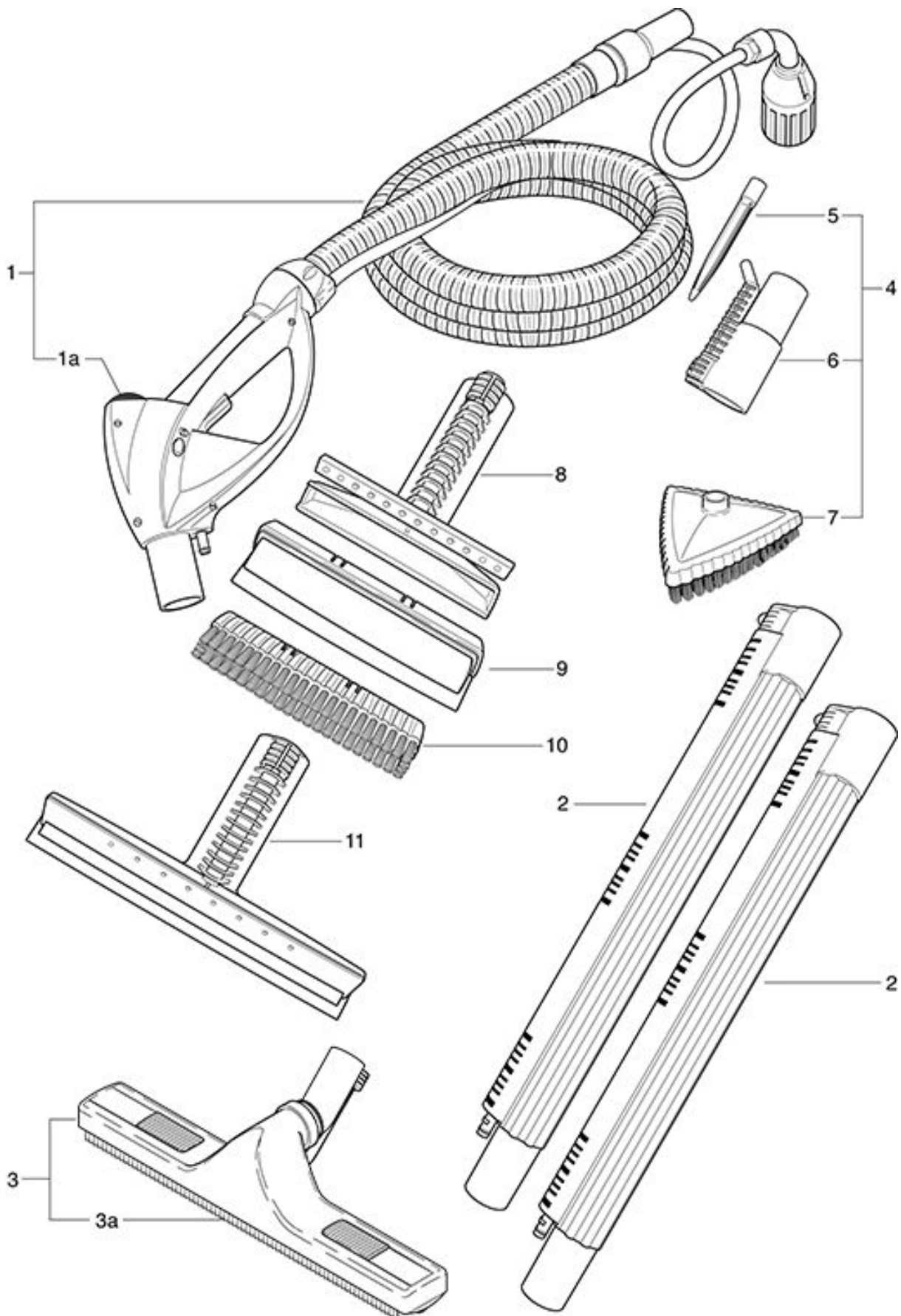


DS7/230V/10A

Accessoires à nouveau, as from machine no. 8707.001

As at: 01/18/10 Time:18:49



DS7/230V/10A**Accessoires à nouveau, as from machine no. 8707.001**

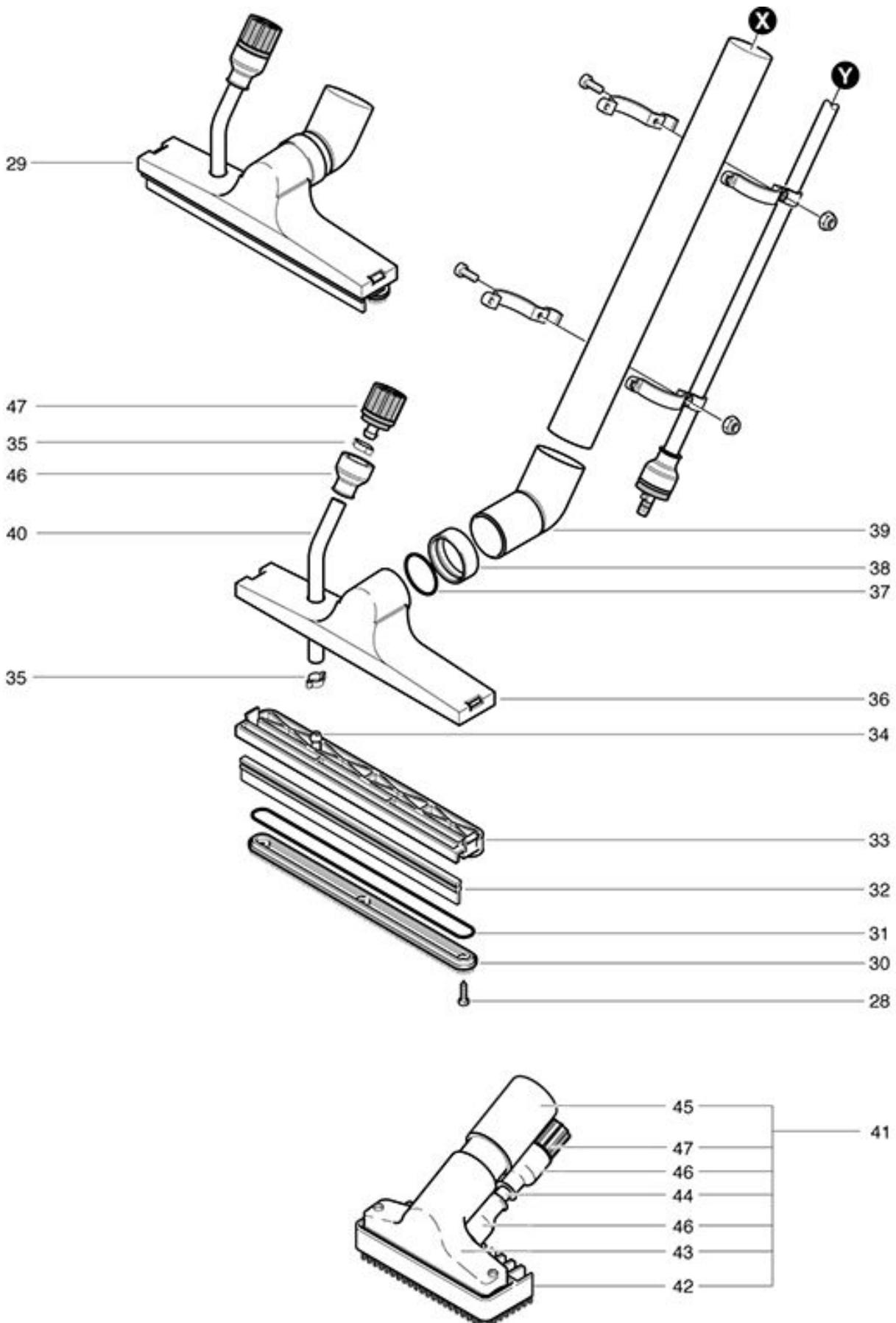
As at: 01/18/10 Time:18:49

Pos.	Description	Reference
01	Vaccum and steam hose 3m, with tool handle including pos. 1a	032.400
01a	Valve switch	032.410
02	Tube	032.801
03	Floor tool cpl.	032.600
03a	Soil nozzle application	032.602
04	Steam jet nozzle compl.	032.700
05	Tube 120 mm	032.703
06	Accessoires Sleeve Socket	032.701
07	Triangle Brush	032.702
08	Wall Nozzle 140 mm	032.911
09	Window-Tool	032.913
10	Brush-Tool	032.912
11	Wall-Window Nozzle	032.650

DS7/230V/10A

Accessoires, up to machine no. 8706

As at: 01/18/10 Time:18:49



DS7/230V/10A

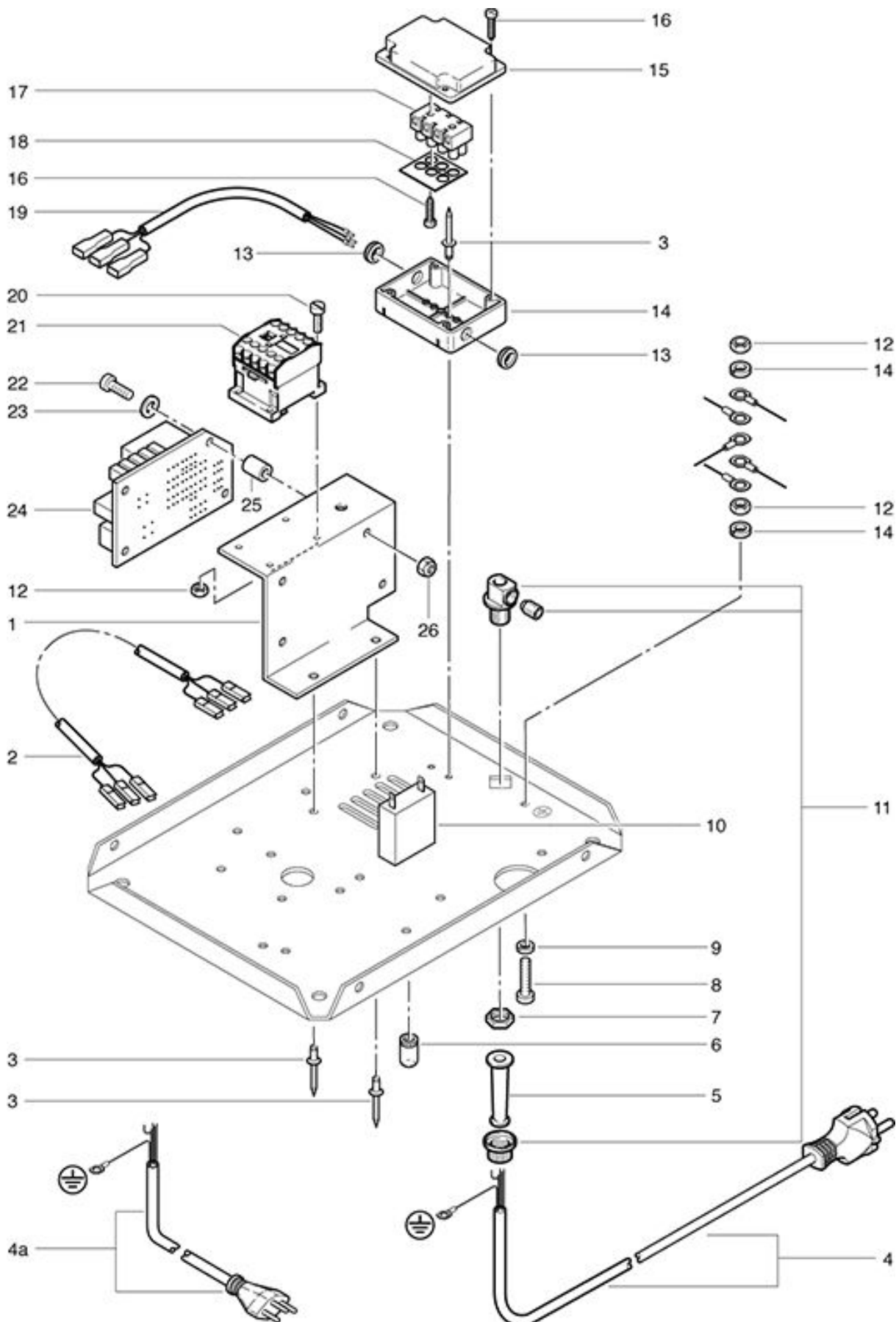
Accessoires, up to machine no. 8706

As at: 01/18/10 Time:18:49

Pos.	Description	Reference
28	PT-screw KA 25x8	P...516 Z
29	Wall and window tool complete	028.650
30	Small attachment with bristles	028.660
31	Tightness cord 4x508	028.664
32	Grey rubber blade	028.661
33	Body of steam element	028.656
34	Threaded nipple SW 8x23	028.631
35	Hose clamp 10.9	P...550 K
36	Tool body	028.651
37	O-ring 31,0x1,5	P...964
38	Fixing ring	028.652 A
39	Tube connector	028.652 B
40		028.675
41	Small wall tool 14 cm Optional accessoires	028.910
42	Suction head	028.915
43	Upholstery tool	028.911
44	Steam hose 5x10x80	028.917
45	Connector	028.916
46	Rubber protection	028.680
47	Coupling for hose complete	028.510

DS7/230V/10A
Electronic panel

As at: 01/18/10 Time:18:49



DS7/230V/10A

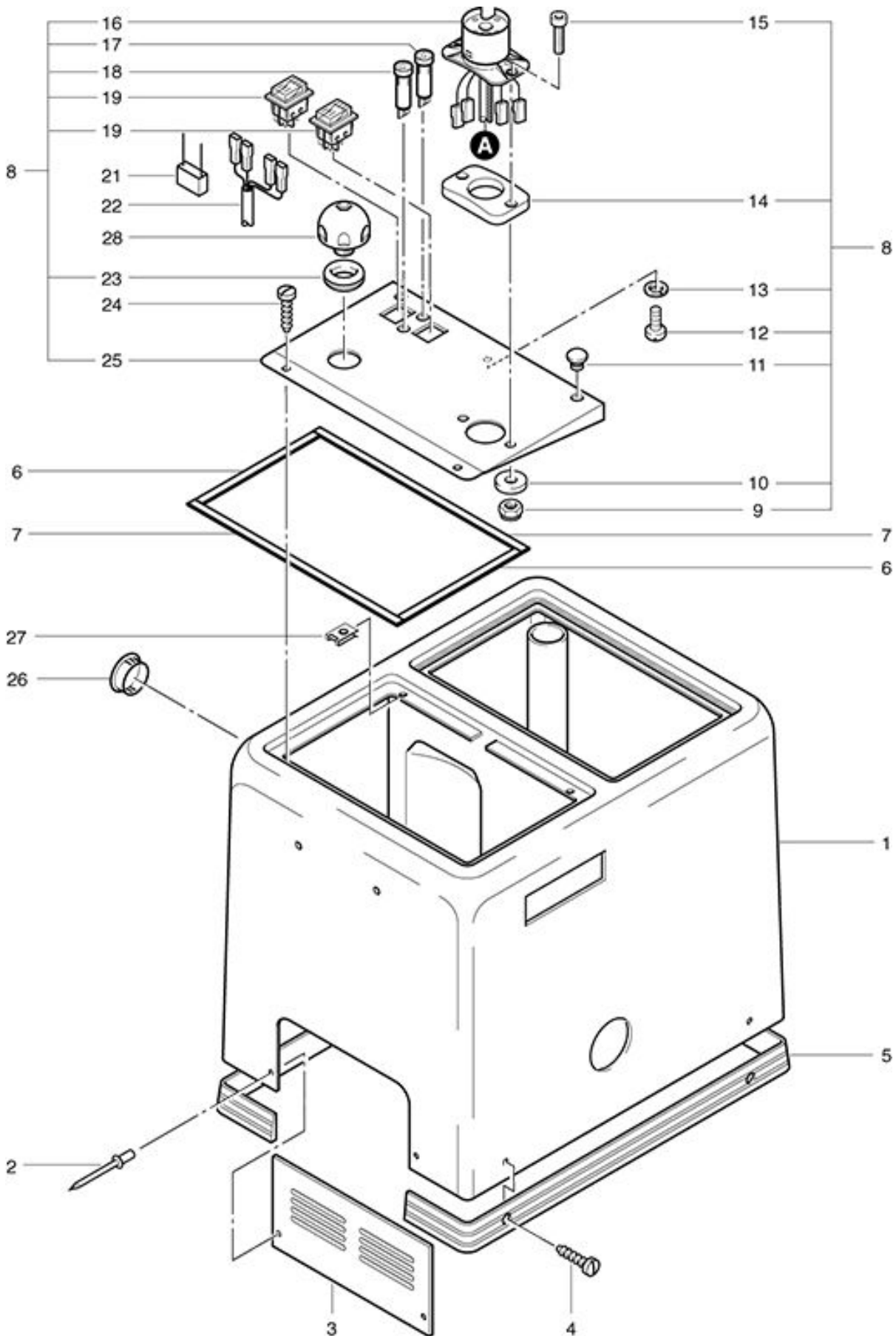
Electronic panel

As at: 01/18/10 Time:18:49

Pos.	Description	Reference
01	Electronic support	033.240
02	Harness	033.304
03	Blind rivet Ø 5x8	P...485 F
04	Electrical connection 230 volts	P...283 C
04	Electrical connection 400 volts	P...289
04a	Mains cable 12,5 mm SEV 3x1,5 mm	65671103901
05	Cable protection	P...280 E
06	Security cover	500.957 A
07	Counter nut PG 9	P...279 H
08	Cyl. Screw	P...478 L
09	Spring ring M 4	P...498 A
10	Motor protection switch 6A	034.330
11	Fixation for cable	P...279
12	Hexagon nut M 4	P...491 Q
13	Rubber clamp	P...408 K
14	Distribution box 400 volts	034.270
14	Distribution box 230 volts	033.270
15	Distribution box cover	P...379 A
16	PT-screw KA 30x14	P...516 S
17	Connection block 6-ways 400 volts	P...383
17	Connection block 6-ways 400 volts	P...383
18	Marking plate 400 volts	P...394 A
18	Marking plate 230 volts	P...394
19	Mains cable	033.301
20	Pan head screw M 3x12 400 volts	P...475 B
21	Power protector 400 volts	P...353
22	Cyl. Screw M 3x16	P...477 A
23	Washer M 3	P...497 J
24	Electronic print	032.610
25	Distance ring	P...509 A
26	Stopp-nut M3	P...492 B

DS7/230V/10A Housing

As at: 01/18/10 Time:18:49



DS7/230V/10A

Housing

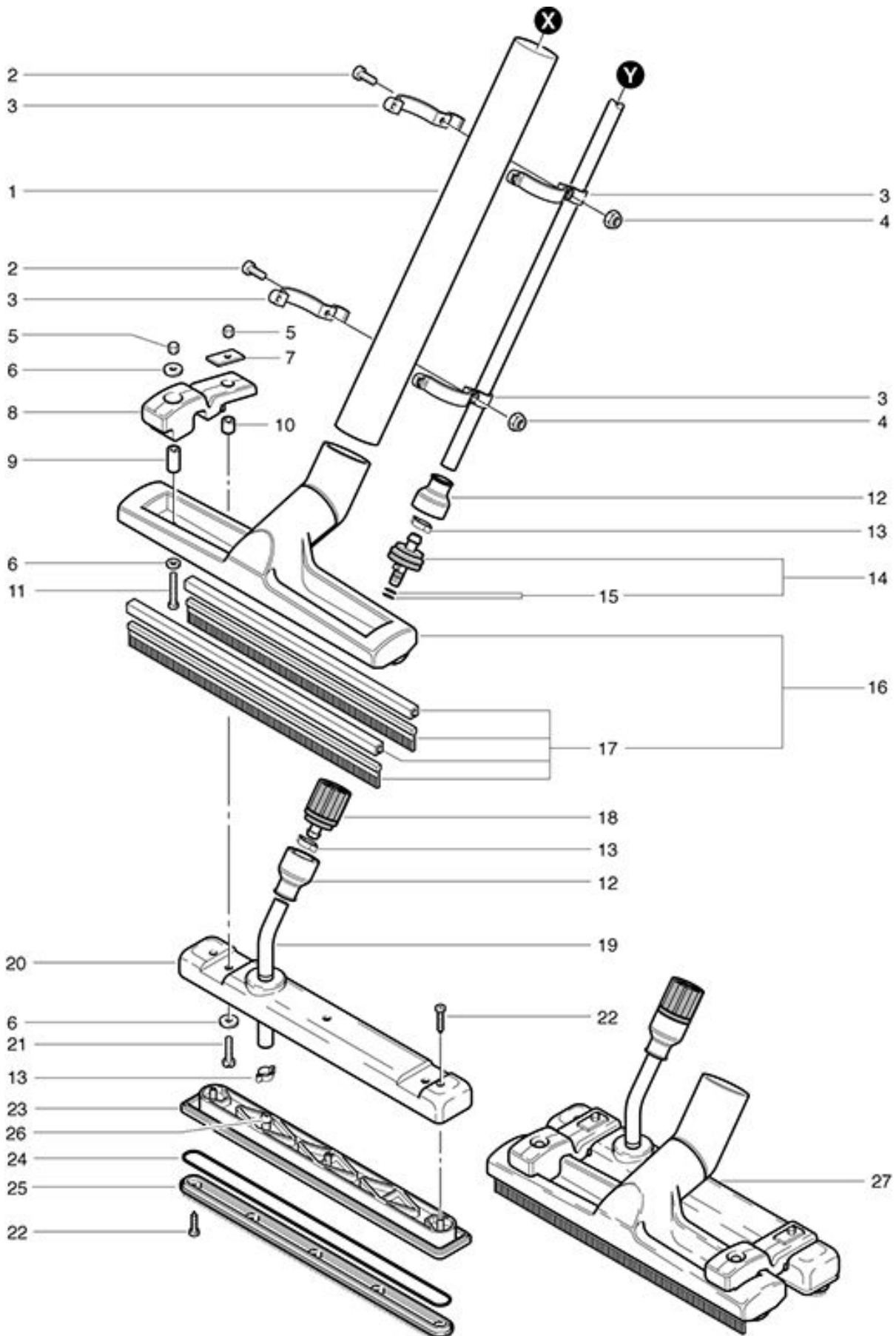
As at: 01/18/10 Time:18:49

Pos.	Description	Reference
01	Polyester housing	033.110
02	Rivet Ø 3x10	P...485 J
03	Front plate	033.117
04	Cyl. Tapped screw 4,8x19	P...482 A
05	Finishing profile	P...055 A
06	Tighttness cord short	033.145
07	Tighttness cord long	033.140
08	Control panel complete including Items 9-19, 23+25	033.131
09	Stopp-nut M 5	P...492 G
10	Washer M 5	P...497 I
11	Cover Ø 9,5	P...171 J
12	Cyl. Screw M 4x8	P...476 C
13	Spring ring M 4	P...498 A
14	Support for socket	033.132
15	Hexagon socket screw M 5x16	P...486 I
16	Socket for steam and electr.	033.138
17	Signal lamp green	P...356
18	Signal lamp red	P...355
19	Tumbler switch orange	P...240
21	Capacitor 0,47 uF	P...393 B
22	Harness for switches	033.303
23	Seal	033.136
24	Screw 4,2x25	P...483 L
25	Control panel	033.131
26	Cover Ø 28	P...171 I
27	Metal clamp	P...494 E
28	Security catch	028.370

DS7/230V/10A

Steam-suction nozzle, up to machine no. 8706

As at: 01/18/10 Time:18:50



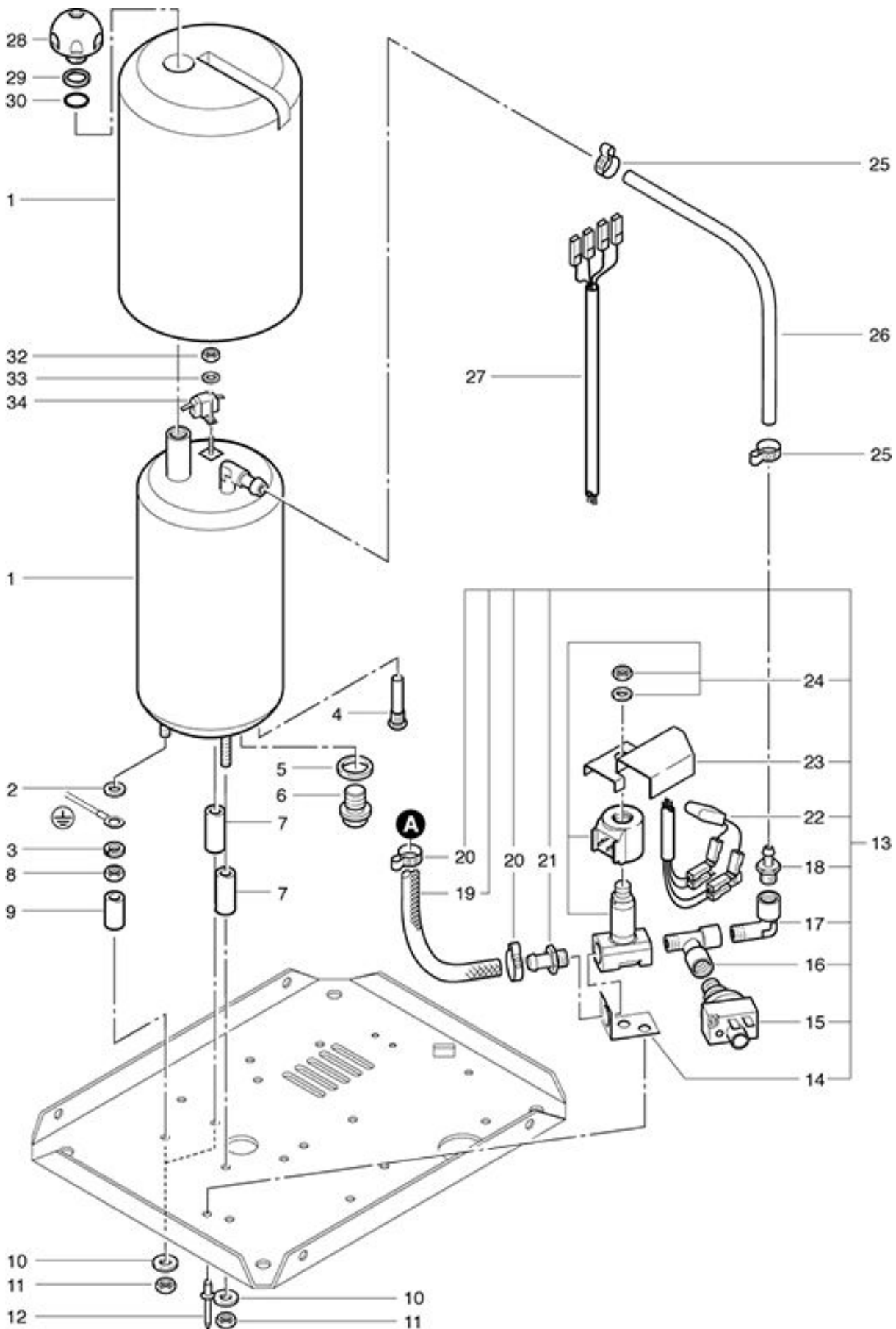
DS7/230V/10A**Steam-suction nozzle, up to machine no. 8706**

As at: 01/18/10 Time:18:50

Pos.	Description	Reference
01	Extension tube	028.801
02	Black cyl. screw M 4x10	P...476M
03	Half of steam hose clamp	028.520
04	Stopp-nut M4, black	P...492E
05	Nut M4	P...495R
06	Washer M 5x2 mm	P...497V
07	Fixing plate	028.623
08	Rubber attachment	028.622
09	Large distance piece	028.635
10	Small distance piece	028.624
11	Pan Head screw M 4x30	P...475W
12	Rubber protection	028.680
13	Hose clamp 13,3	P...550I
14	Male connector complete	028.670
15	O-ring 5,28x1,78	P...962A
16	Suction part of floor tool complete	028.610
17	Pair of rubber blades	646.110
18	Coupling for hose complete	028.510
19	Steam hose dm 5x10x100	028.639
20	Cover of steam element	028.621
21	Pan Head screw M 4x20	P...475F
22	PT screw KA 25x8	P...516Z
23	Body of steam element	028.616
24	Tightness cord dm 4x580	028.633
25	Large attachment with bristles	028.630
26	Threaded nipple SW 8x28	028.662
27	Floor tool complete	028.600

DS7/230V/10A
Steam tank

As at: 01/18/10 Time:18:50



DS7/230V/10A

Steam tank

As at: 01/18/10 Time:18:50

Pos.	Description	Reference	
01	Steam tank 230 volts	033.212	
01	Steam tank 400 volts	034.212	
02	Washer M6	P...496K	
03	Spring ring M6	P...498H	
04	Thermo-sensor	034.290	
05	Seal 30x21x2 mm	033.221	
06	Screw G 1/2« «	P...481S	
07	Tank support long	033.222	
08	Hexagon nut M6	P...490D	
09	Tank support short	033.223	
10	Washer M6	P...496L	
11	Stopp-nut M6	P...493K	
12	Blind rivet dm 5x8 mm	P...485F	
13	Pressure controle complete including	Items 18-24	033.205
14	Holder for magnetic control	028.223	
15	Pressure regulator	028.222	
16	T-formed connection 1/4« «	P...533A	
17	Angled connector G 1/4« «	P...533B	
18	Hose connection nipple (entry)	028.224E	
19	Steam hose 5x10x550 mm	033.139	
20	Hose clamp 13,3	P...550I	
21	Hose connection nipple (exit)	028.224A	
22	Capacitor 0,1uF	P...392A	
23	Valve cover	033.226	
24	2-way magnetic valve	028.221	
25	Hose clamp 14,5	P...550A	
26	Steam hose dm 6x17x400	033.219	
27	Harness	033.302	
28	Security catch	028.370	
29	Ring	028.373	
30	O-ring 18,64x3,53	P...962E	
31	Isolation cover	033.213	
32	Hexagon nut M3	P...490A	
33	Serrated lock washer M3	P...499A	
34	Thermostat	028.255	

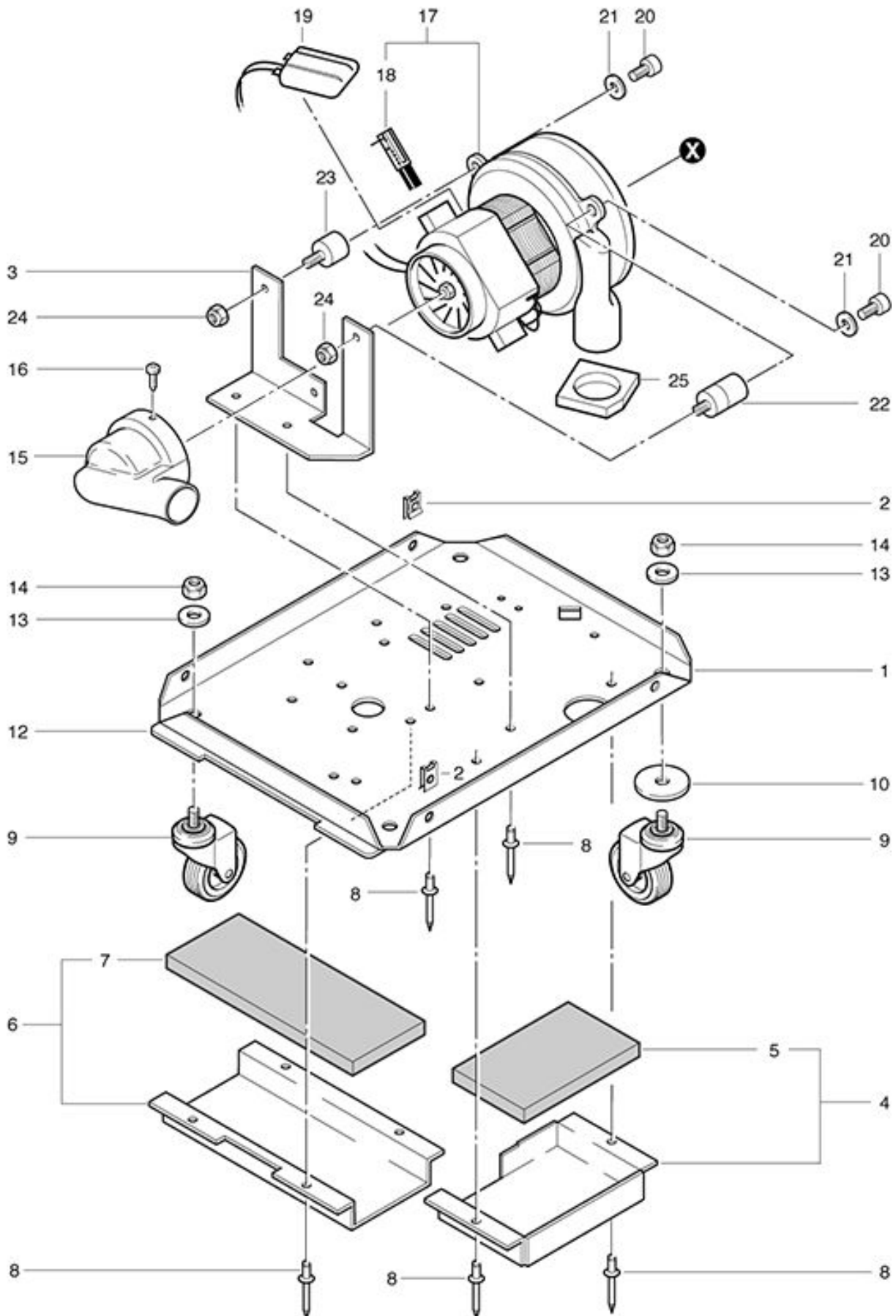
DS7/230V/10A**Steam and vaccum hose, up to machine no. 8706**

As at: 01/18/10 Time:18:49

Pos.	Description	Reference
01	Suction hose with steam hose	028.800
02	Bent tube	028.802
03	Half of steam hose clamp	028.520
04	Black cyl. screw M 4x10	P...476M
05	Steam hose dm 5x10x1050	028.810
06	Stopp-nut M4, black	P...492E
07	Rubber protection	028.680
08	Hose clamp	P...550I
09	Coupling for hose complete	028.510
10	Steam-electric hose complete	033.451
11	O-ring 5,28x1,78	P...962A
12	Suction hose	033.412
13	Cable tie	P...424
14	Jet nozzle	028.700
15	Shortend crevice tool	028.710
16	Seal	500.412
18	Pouch controle pad	028.861
19	Right handle housing	028.902
20	Clamp for handle housing	028.903
21	Left handle housing	028.901
22	Connector complete	028.670
23	PT screw KA 25x8	P...516Y
24	Handle	028.900
25	Hose socket	P...575

DS7/230V/10A
Suction motor

As at: 01/18/10 Time:18:50



DS7/230V/10A

Suction motor

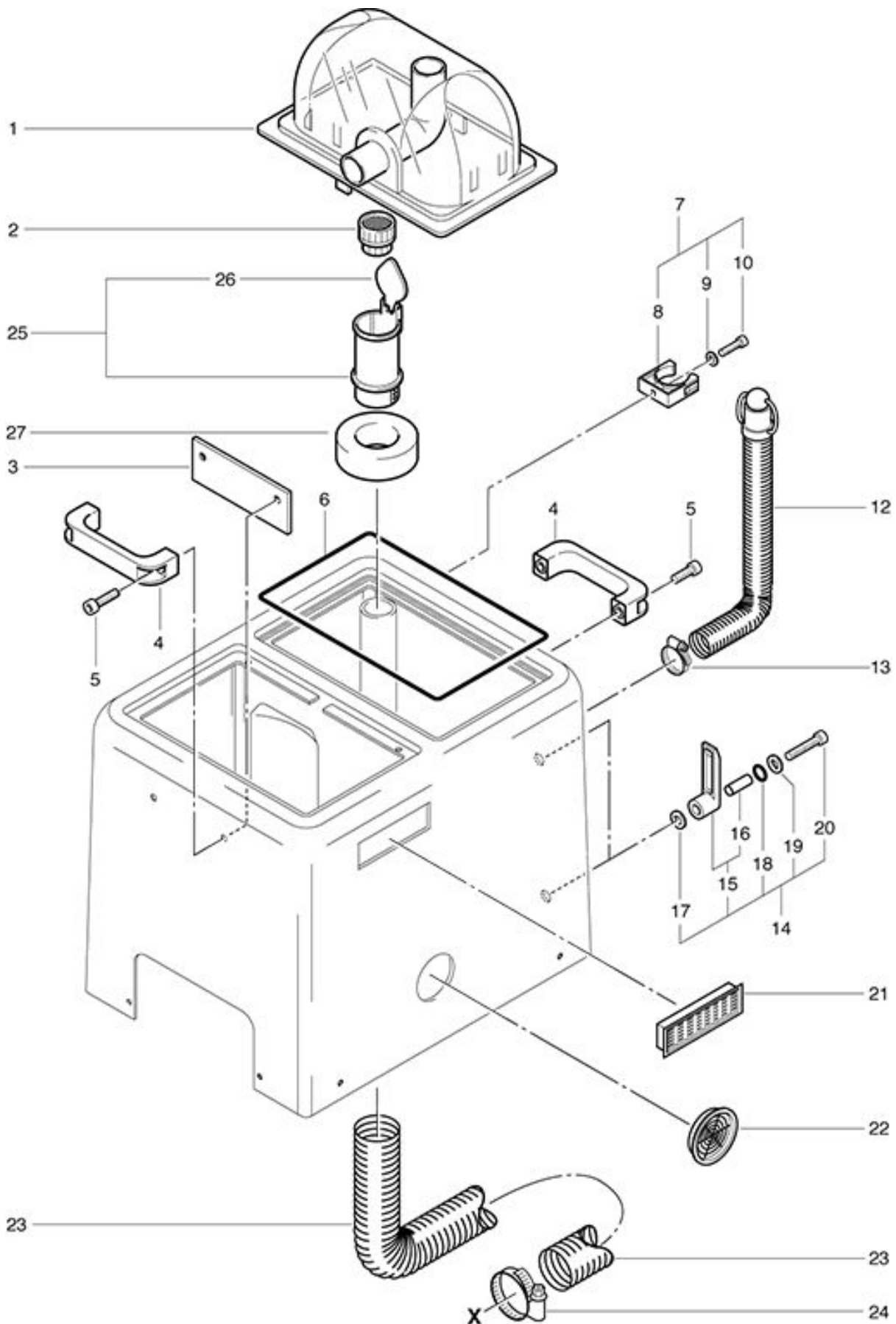
As at: 01/18/10 Time:18:50

Pos.	Description	Reference
01	Bottom plate	033.201
02	Clamp B 4,8	P...494B
03	Motor support	033.246
04	Isolation box complete	033.250
05	Small isolation piece	033.252
06	Complete isolation tunnel	033.260
07	Large isolation piece	033.262
08	Blind rivet dm 5x8	P...485F
09	Castor	P...204
10	Reinforcing plate	P...204A
12	Front reinforcement plate	060.234
13	Washer M10	P...496S
14	Stopp-nut M10	P...492Q
15	Canal for cooling	033.231
16	Tapped screw 2,9x6,5	P...483H
17	Vacuum motor 800 Watt	400.211
18	Pair of carbon brushes LAMB	P...870KH
19	Capacitor 0,1uF	P...392A
20	Screw M 6x12	P...486Q
21	Washer M6	P...496L
22	Round buffer l=30 mm	400.214
23	Round buffer l=15 mm	060.241
24	Stopp-nut M6	P...493K
25	Noise absorber	033.265

DS7/230V/10A

Tank cover

As at: 01/18/10 Time:18:50



DS7/230V/10A

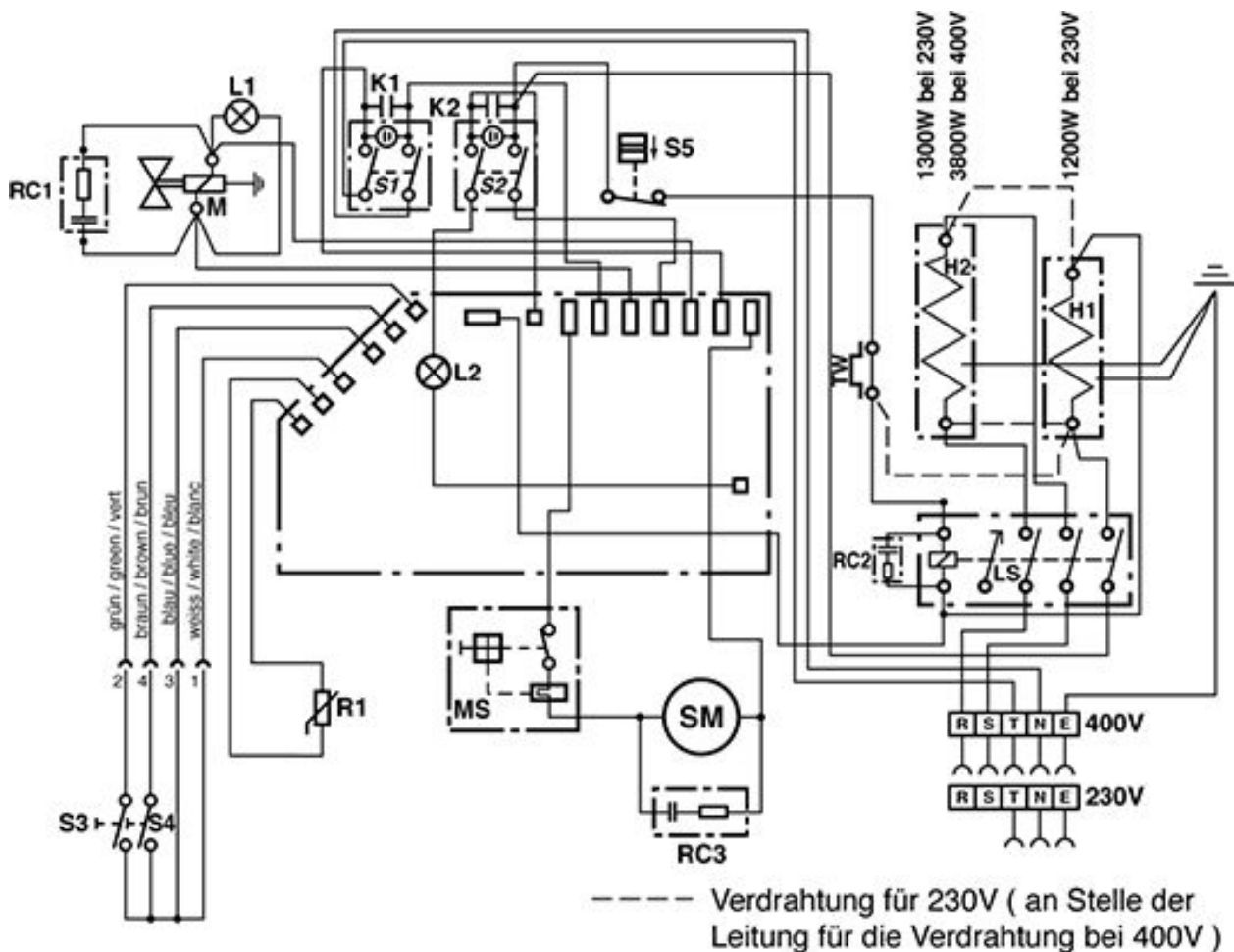
Tank cover

As at: 01/18/10 Time:18:50

Pos.	Description	Reference
01	Waste water tank cover	P...080
02	Vacuum pipee sievee	P...071
03	Reinforcement piece	033.116
04	Handle	P...058A
05	Screw M 6x12	P...486Q
06	Seal	P...051
07	Hose support complete including Items 8-11	P...109A
08	Hose support	P...109F
09	Washer M 5	P...496 D
10	Washer M5	P...496D
11	Srew M 5x16	P...488G
12	Discharge hose compl.	035.108
13	Hose clamp	P...554B
14	Catch for cable compl. including Items 15-20	P...087
15	Catch for cable	P...087A
16	Distance piece	P...087B
17	Washer D 6/16x1	P...497M
18	O-ring D 8,73x1,78	P...088
19	Washer M6	P...496K
20	Srew M 6x30	P...488S
21	Grating ventilation	P...030K
22	Grating ventilation	P...030L
23	Connecting hose	P...206C
24	Hose clamp	P...206D
25	Float complete	P...074
26		P...076 D
27	Floating ring	P...074 A

DS7/230V/10A
Wiring diagram 230 V/400 V

As at: 01/18/10 Time:18:50



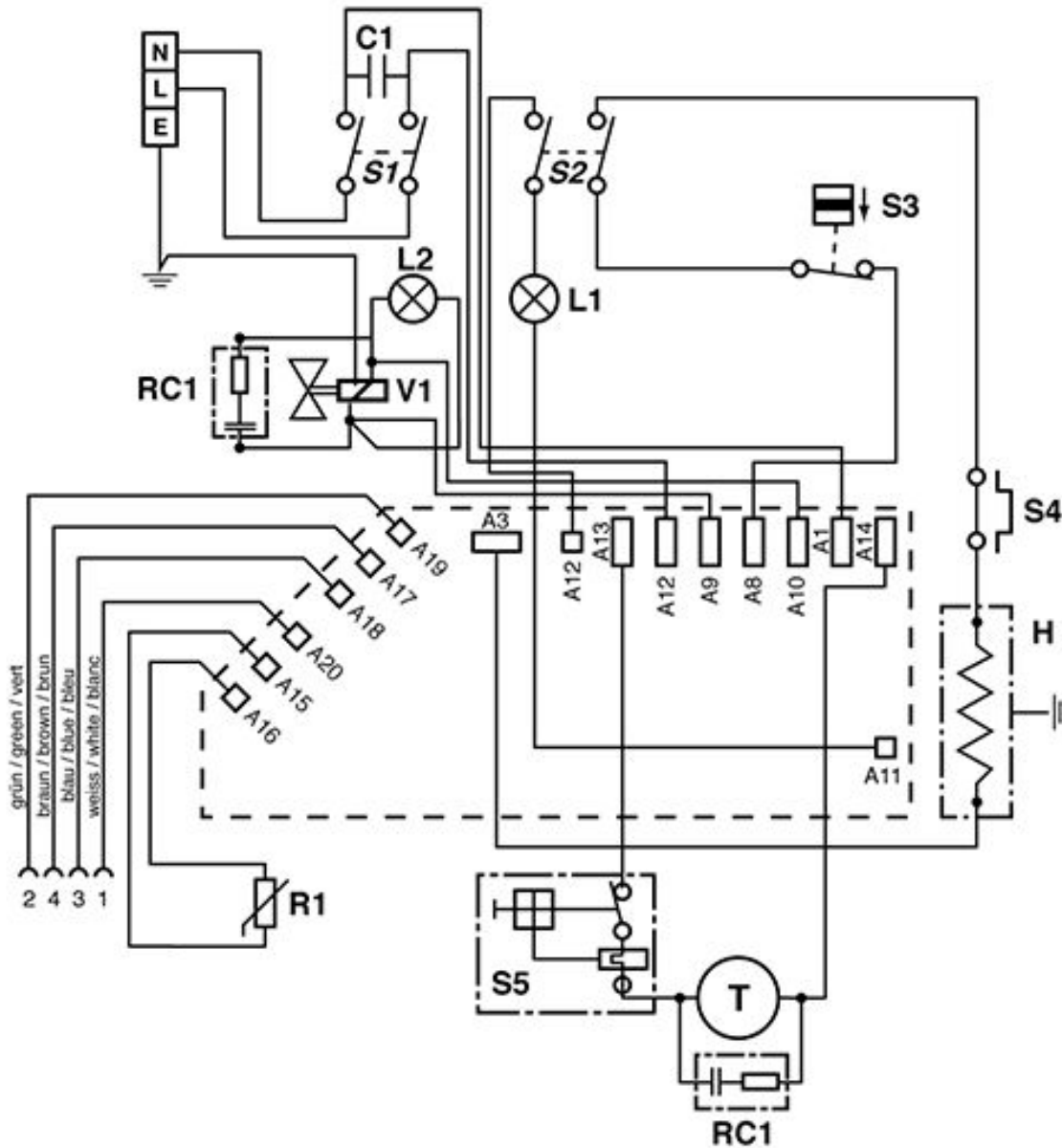
- S1 = Hauptschalter / Main switch / Interrupteur principale
- S2 = Schalter für Heizung / Heater switch / Interrupteur pour chauffage
- S3 =
- S4 =
- S5 = Druckschalter / Pressure switch / Pressostat
- K1 =
- K2 =
- L1 = Signallampe grün / Signalling lamp green / Lampe de signalement verte
- L2 = Signallampe rot / Signalling lamp red / Lampe de signalement rouge
- H1 = Heizung / Heating / Chauffage
- H2 = Heizung / Heating / Chauffage
- R1 = NTC-Widerstand / NTC resistor / Resistance-capacitance
- RC1 = RC-Glied 0,1µF - 1 / Resistance-capacitance 0,1µF - 1 / Resistance-condensateur 0,1µF - 1
- RC2 =
- RC3 =
- M = Magnetventil / Magnetic valve / Valve magnetique
- SM = Saugmotor / Vacuum motor / Moteur d'aspiration
- LS =
- MS = Motorschutzschalter / Motor protection switch / Disjoncteur
- TW = Thermowächter / Thermostat / Thermostat

DS7/230V/10A

Wiring diagram 230 V/400 V

As at: 01/18/10 Time:18:50

Pos.	Description	Reference
H1	Heating	
H2	Heating	
K1	Capacitor 0,47 μ F	P...393 B
L1	Signalling lamp (green)	P...306
L2	Signalling lamp (green)	P...306
LS		
M	Magnetic valve	028.221
MS	Motor protection switch	028.330
R1	NTC resistor	
RC1	Resistance-capacitance 0,1 μ F + 1 Ω ;	P...392 A
RC2		
RC3		
S1	Main switch	P...240 R
S2	Heater switch	P...240
S3		
S4	Thermostat	
S5	Pressure switch	028.222
SM	Vacuum motor	P...871 A
TW	Thermostat	



- | | | |
|-----|---|--|
| S1 | = | Hauptschalter / Main switch / Interrupteur principale |
| S2 | = | Schalter für Heizung / Heater switch / Interrupteur pour chauffage |
| S3 | = | Druckschalter / Pressure switch / Pressostat |
| S4 | = | Thermowächter / Thermostat / Thermostat |
| S5 | = | Motorschutzschalter / Motor protection switch / Disjoncteur |
| C1 | = | Entstörkondensator 0,47µF / Capacitor 0,47µF / Condensator 0,47µF |
| RC1 | = | RC-Glied 0,1µF - 1 / Resistance-capacitance 0,1µF - 1 /
Resistance-condensateur 0,1µF - 1 |
| R1 | = | NTC-Widerstand / NTC resistor / Resistance-capacitance |
| V1 | = | Magnetventil / Magnetic valve / Valve magnetique |
| H | = | Heizung / Heating / Chauffage |
| T | = | Saugmotor / Vacuum motor / Moteur d'aspiration |
| L1 | = | Signallampe rot / Signalling lamp red / Lampe de signalement rouge |
| L2 | = | Signallampe grün / Signalling lamp green / Lampe de signalement verte |

DS7/230V/10A

Wiring plan

As at: 01/18/10 Time:18:51

Pos.	Description	Reference
01	Main switch	P...240R
02	Heater switch	P...240
03	Pressure switch	028.222
04	Thermostat	
05	Motor protection switch	028.330
06	Capacitor 0,47uF	P...393B
07	Resistance-capacitance 0,1uF + 1?	P...392A
08	NTC resistor	
09	Magnetic valve	028.221
10	Heating	
11	Vacuum motor	P...871A
12	Signalling lamp (red)	P...355
12	Signalling lamp (green)	P...306